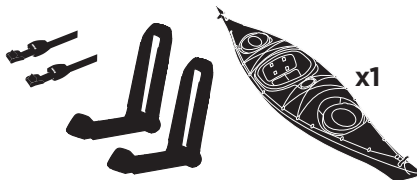
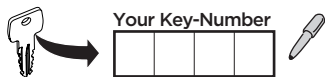
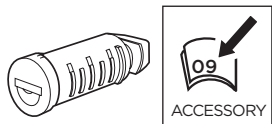


> Instructions

Thule Hull-a-Port Aero
849000



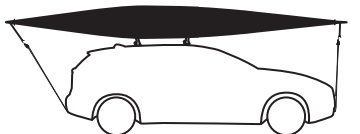
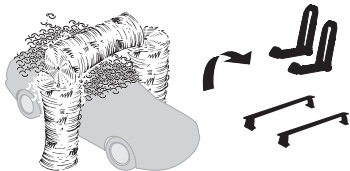
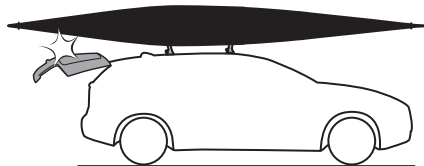
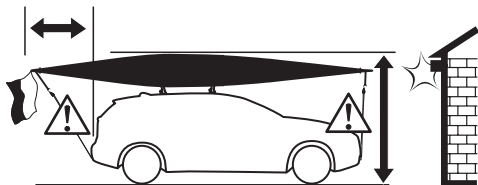
i



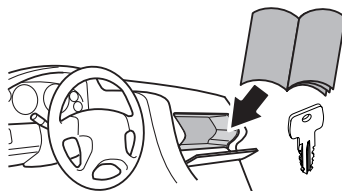
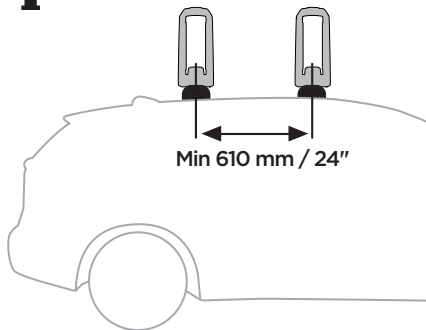
x1

6,8 kg
15 lbs

Max 34 kg
75 lbs

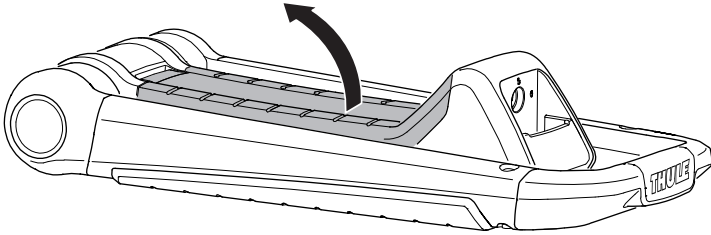


i

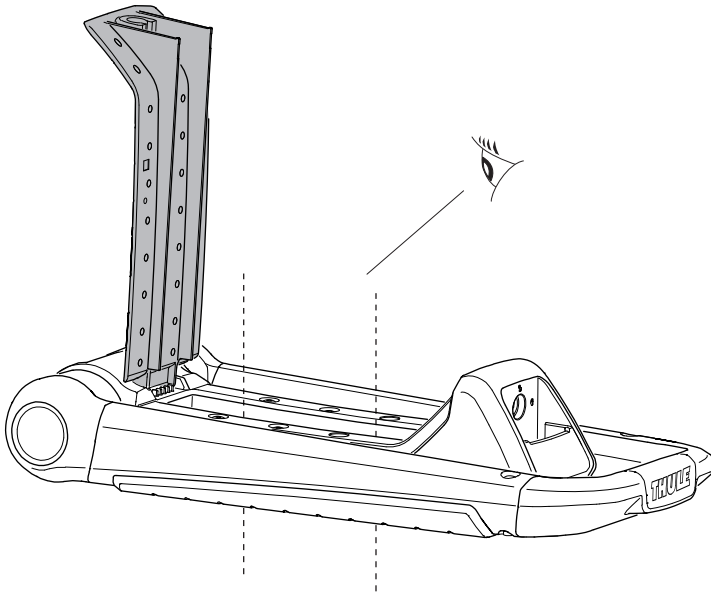


1

A



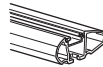
B



i



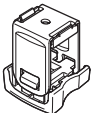
Thule WingBar Evo, Thule WingBar, Thule AeroBlade, Thule AeroBar, Thule ProBar, Thule SlideBar



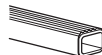
**2-4,
8-15**



+



+



Thule SquareBar
Adapter 8897

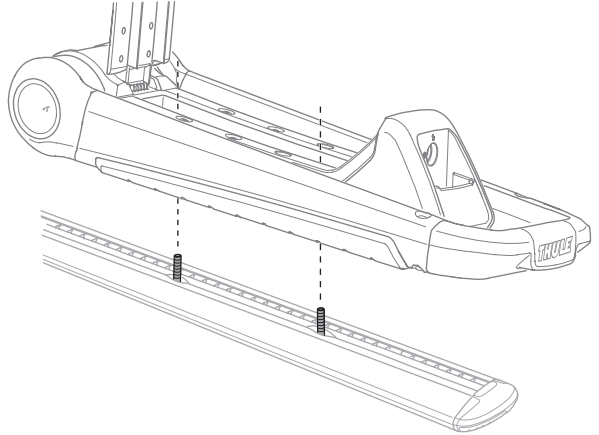
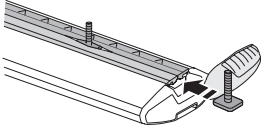
Thule SquareBar

5-15

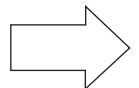
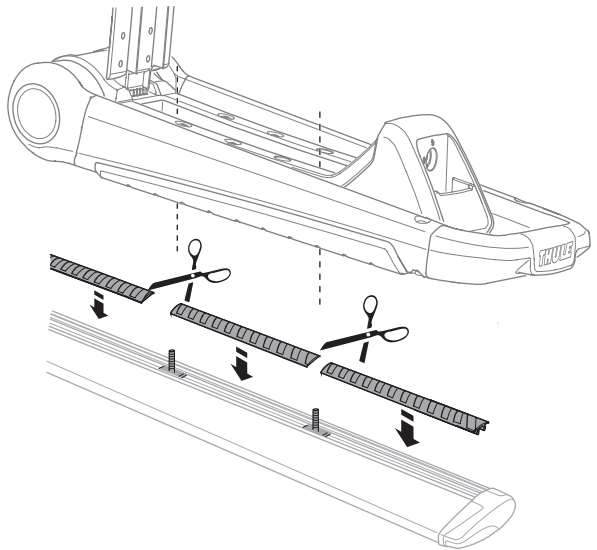
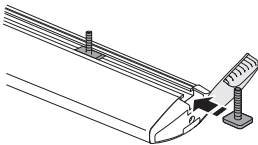
2

 x4

 THULE
WingBar Evo



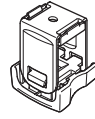
 THULE WingBar
THULE AeroBlade



5

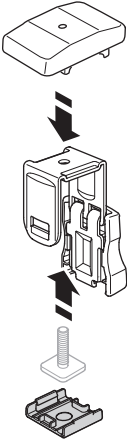
THULE
SquareBar

Thule SquareBar
Adapter 8897

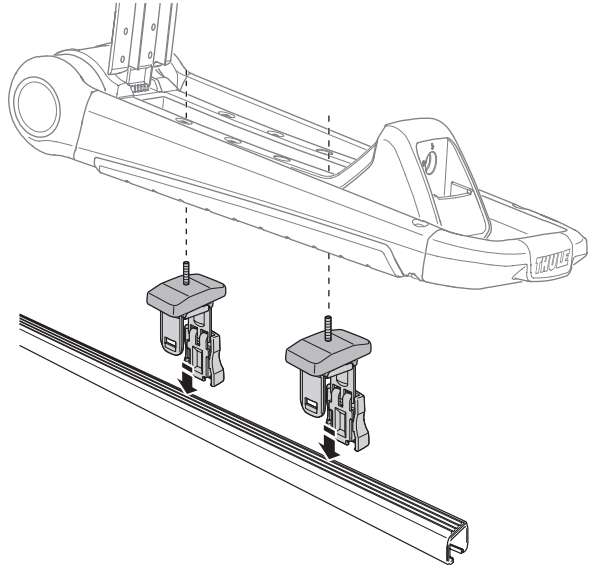


x4

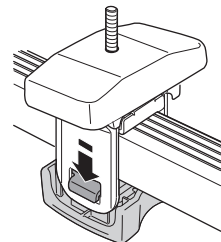
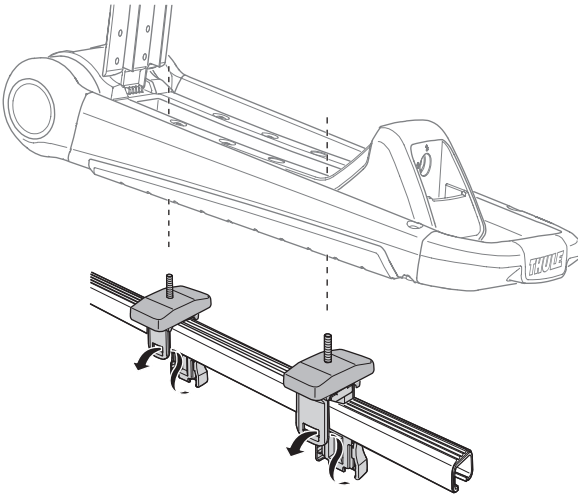
A



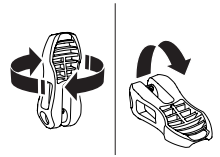
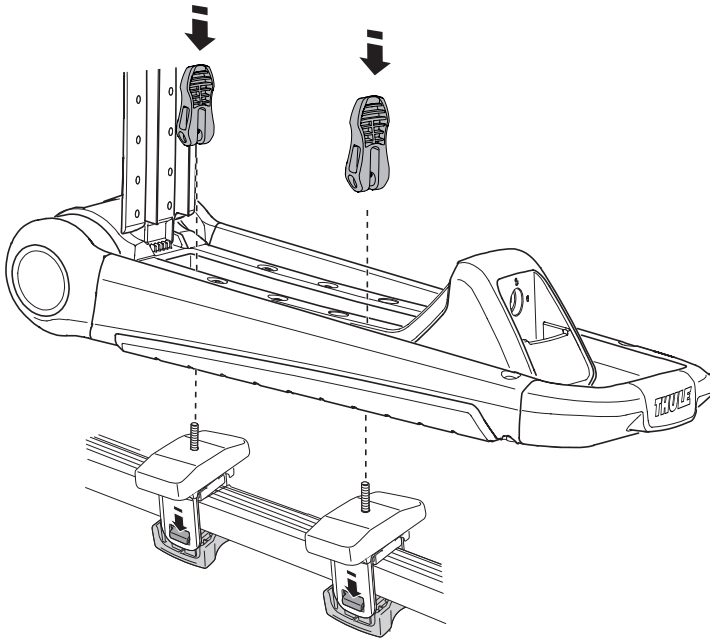
B



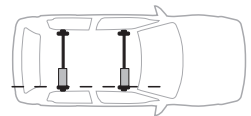
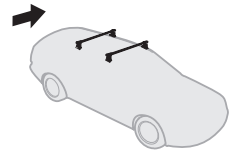
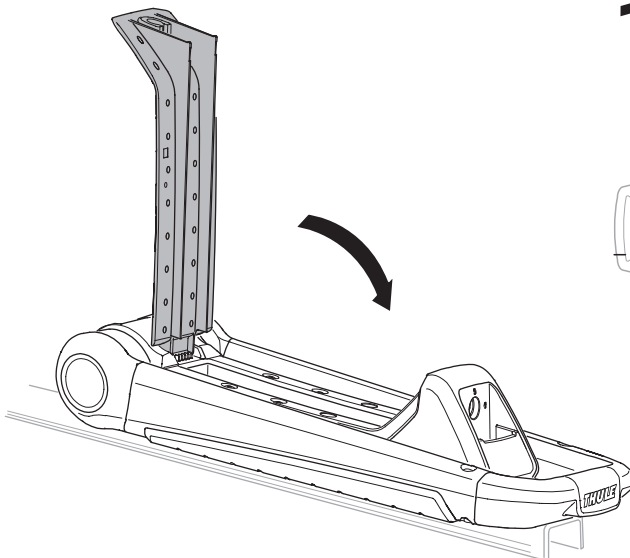
C



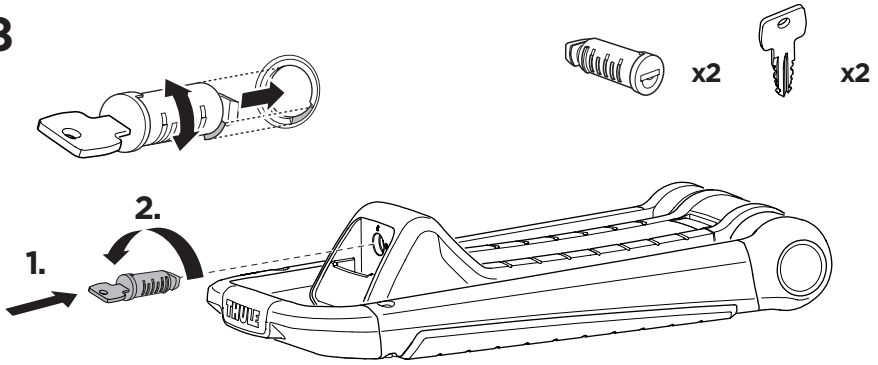
6



7

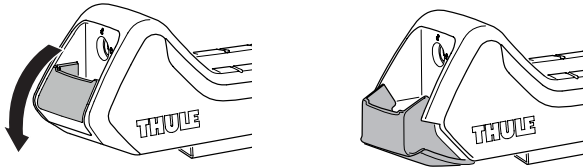
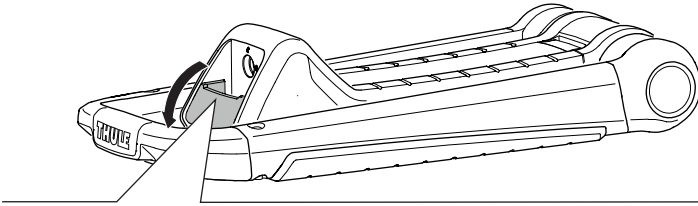


8

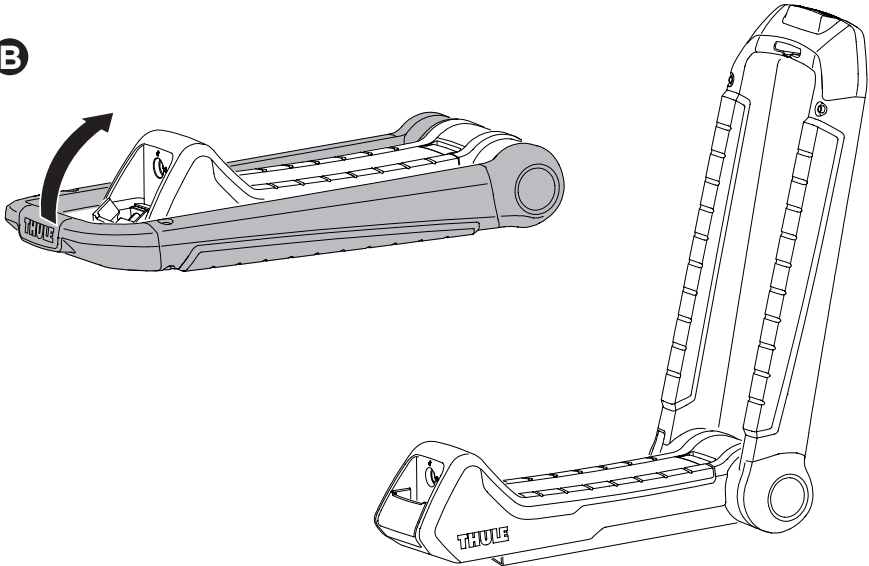


9

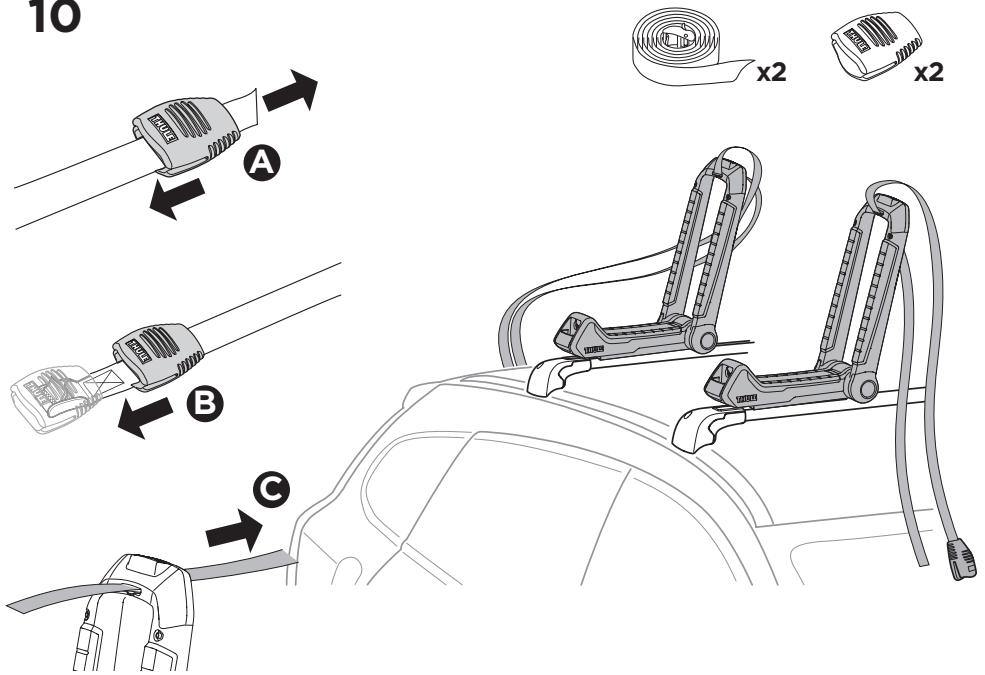
A



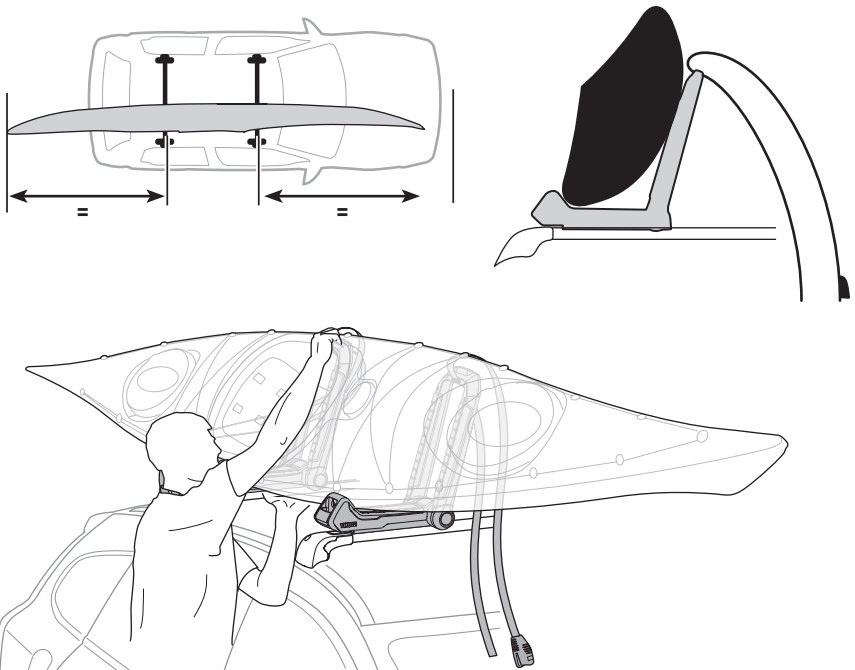
B



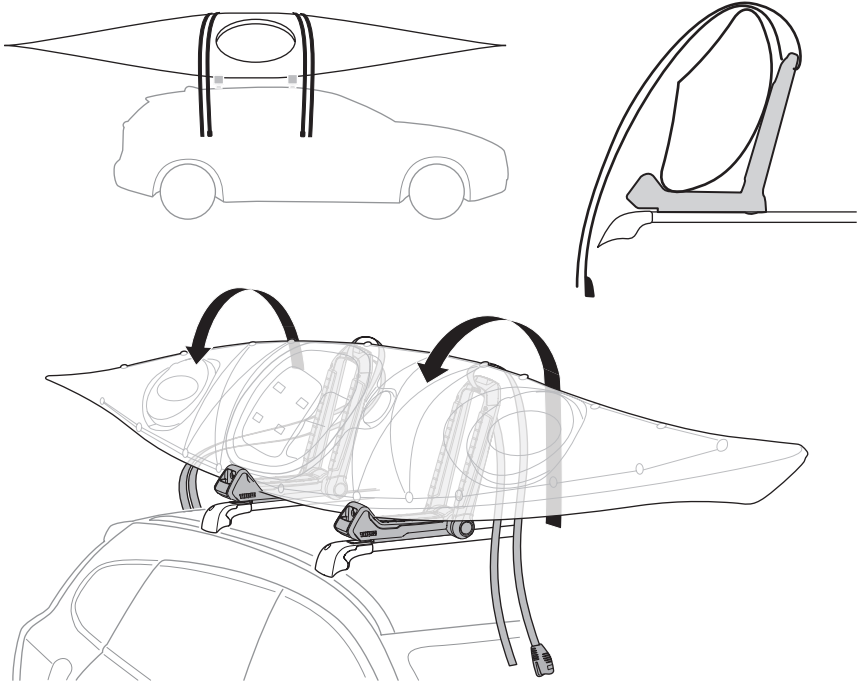
10



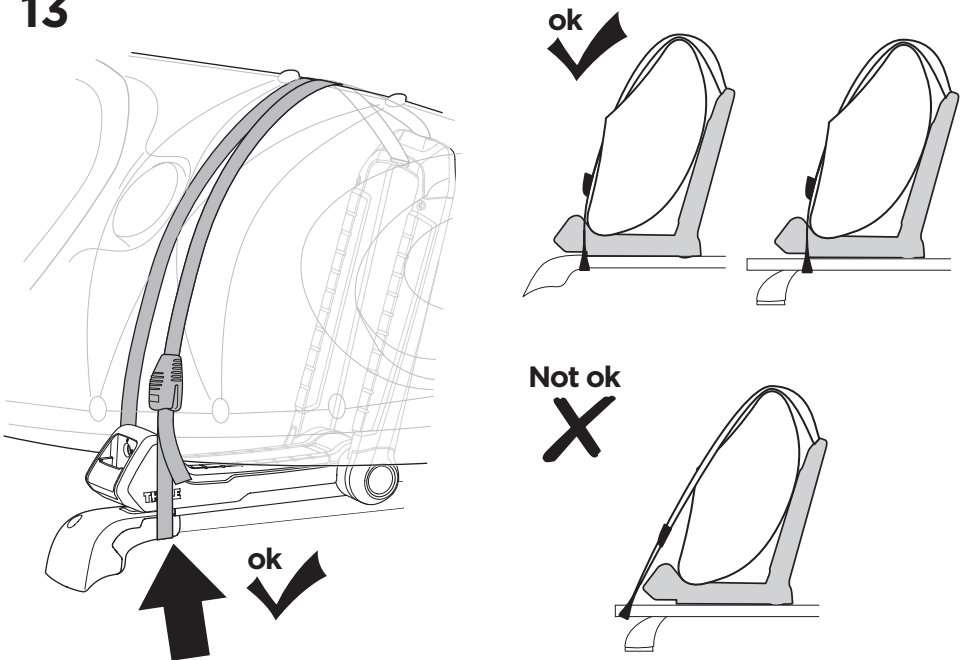
11

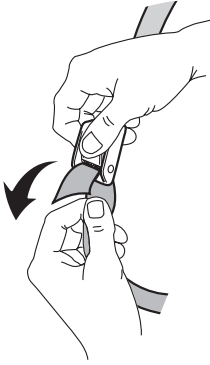
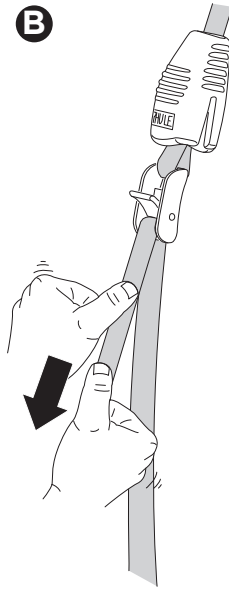
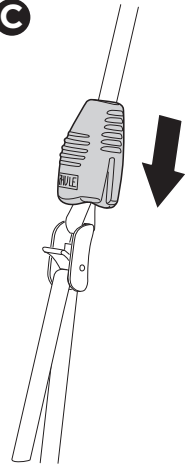
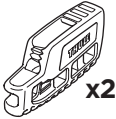


12



13



A**B****C****14**

x2



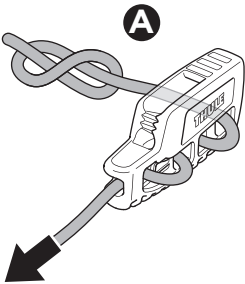
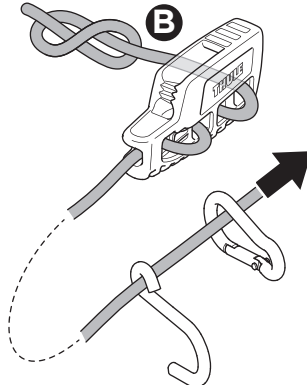
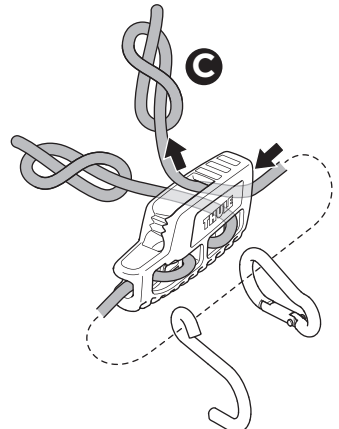
x2



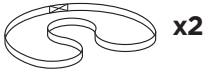
x2



x2

A**B****C**

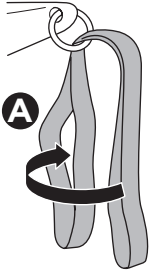
15



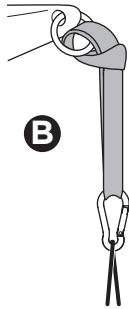
Not ok



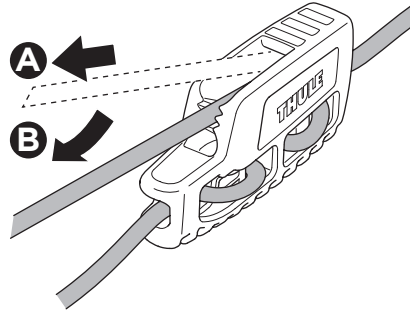
ok



A

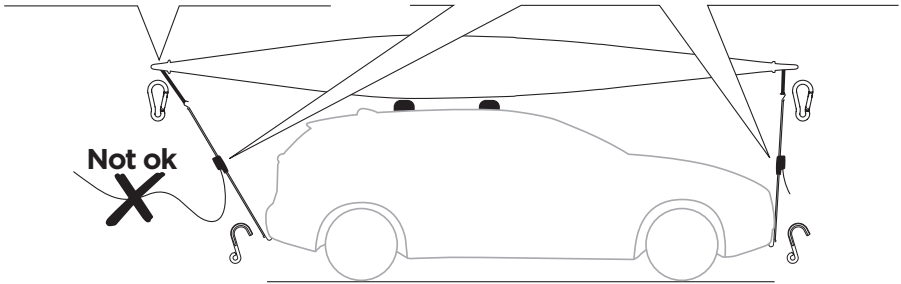


B

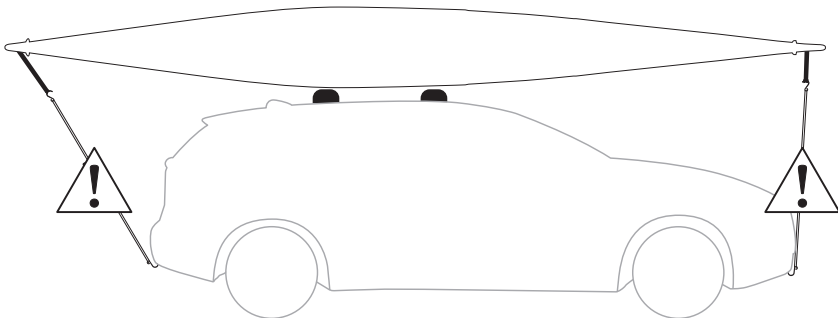


A

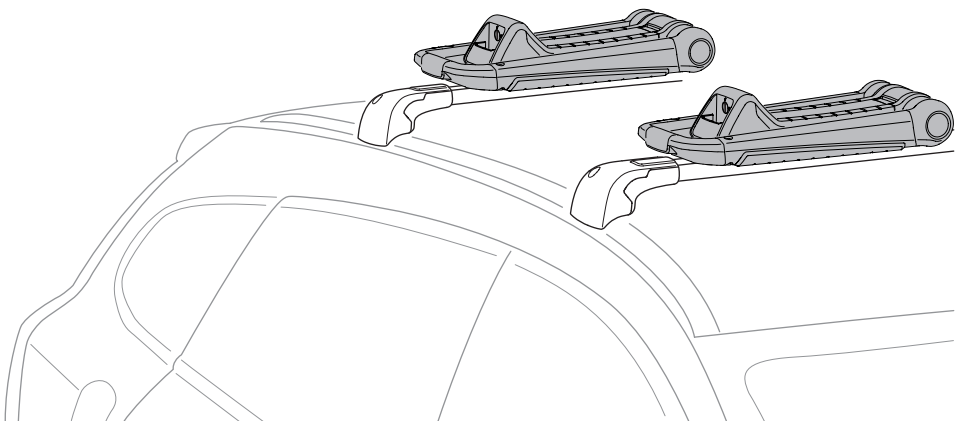
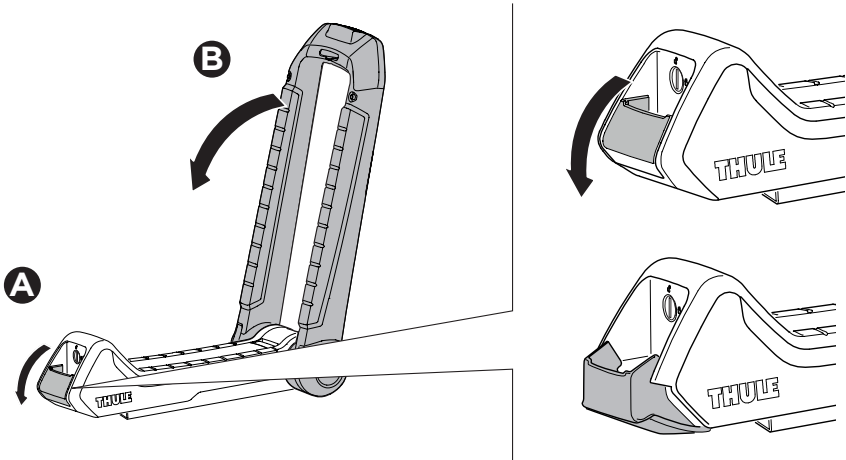
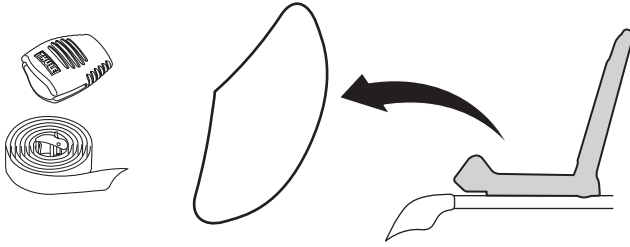
B



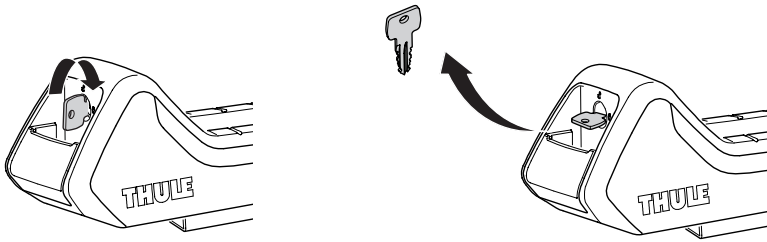
Not ok



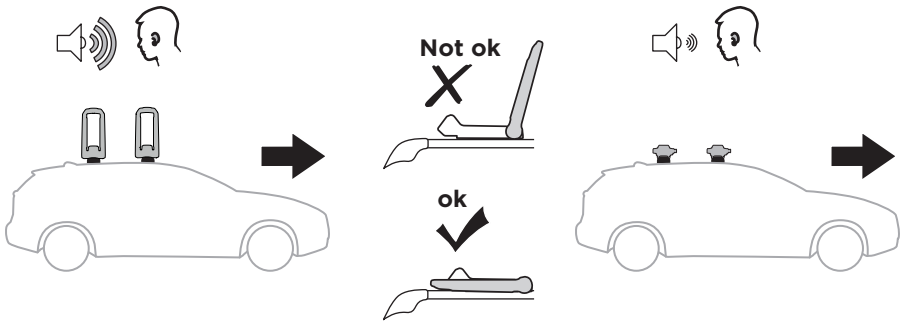
i



i



i



EN Accessories

DK Tilbehør

UK Аксессуары

EL Εξαρτήματα

DE Zubehör

NE Tilbehør

BG Принадлежности

TR Aksesuarlar

FR Accessoires

FI Lisävarusteet

CS Doplňky

الملحقات AR

NL Accessoires

ET Lisavarustus

SK Príslušenstvo

אביזרים HE

IT Accessori

LV Piederumi

SL Dodatki

ZH 附件

ES Accesorios

LT Priedai

HR/BIH Dodaci

JA アクセサリー

PT Acessórios

PL Akcesoria

RO Accesorii

KO 액세서리

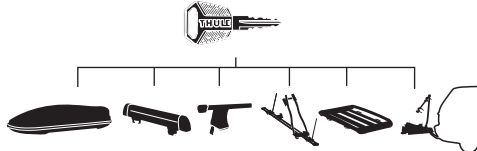
SV Tillbehör

RU Аксессуары

HU Tartozékok

TH อุปกรณ์เสริม

Thule One-Key System



450200 (x2)

450400 (x4)

450600 (x6)

450800 (x8)

451200 (x12)

451600 (x16)

Thule Lockable Strap

831 2 x 13 foot

832 2 x 10 foot

841 2 x 400 cm



Thule Strap

521 1 x 275 cm

522 1 x 400 cm

523 2 x 400 cm

524 2 x 275 cm

551 2 x 600 cm

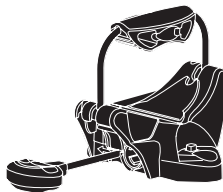


Thule Multipurpose Rack

855

Thule Get-a-Grip

839



Thule MultiLift

572

