

# ROOF RACKS FOR YOUR NEW SEAT

**whispbar**

Loads of life

**SEAT LEON II 1P**  
5 dr Hatch May 05 - +



Roof Rack:

S25 -

Fitting Kit:

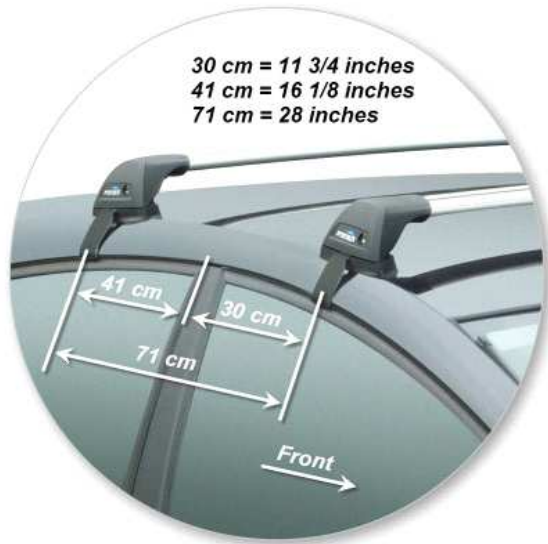
K512-

# All the technical information

**whispbar**

Loads of life

Seat Leon II 1P 5 dr Hatch May 05 - +



With leg cover removed



Roof Rack:	S25
Fitting Kit:	K512
Maximum roof rack loading:	60 kgs / 132 lbs

Type of fitment: Clamp Mount

Available crossbar length: 803mm / 31 5/8 inches

#### Comments:

Clamps directly to edge of roof under the doors, pin locates in hole on vehicle on front clamps