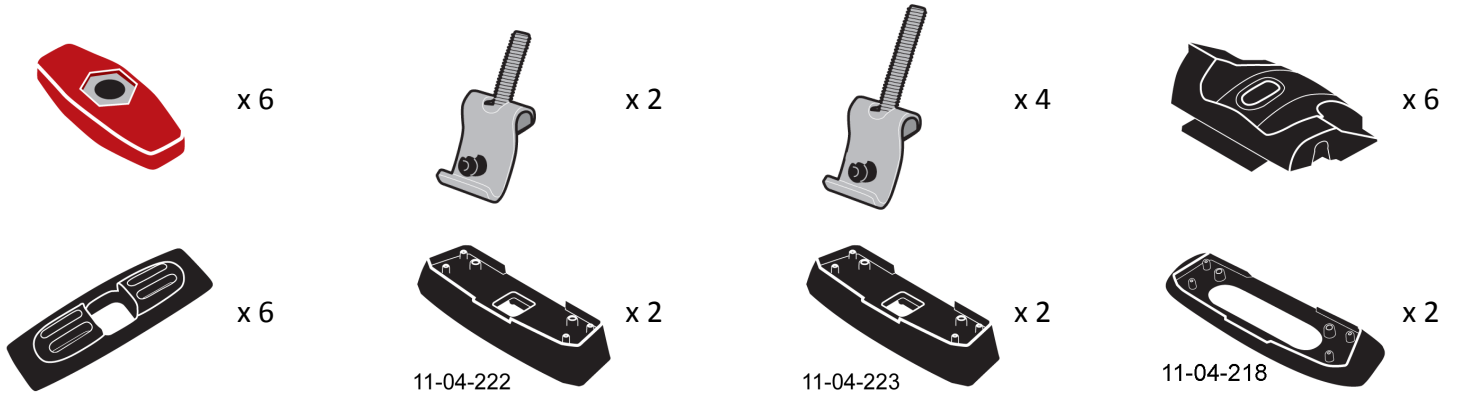
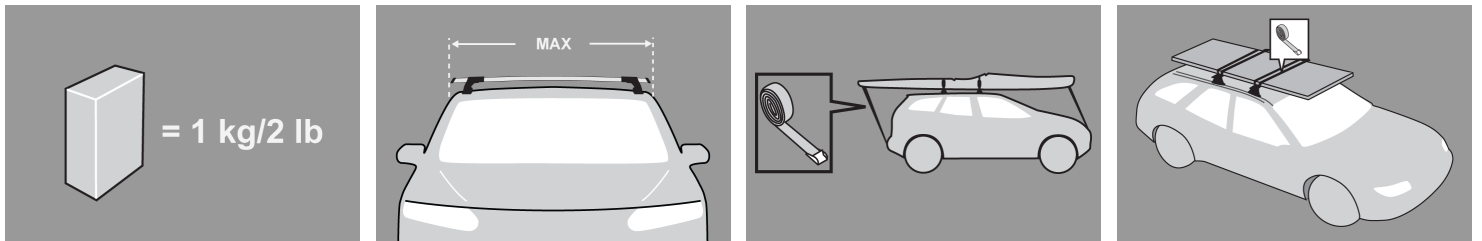


**GB** Fitting Instruction for Accessory





## MAX kgs



**W/P WHD**

Lexus				
LX470 , 5dr SUV Apr 98-Jul 07	AU	115	150	
Toyota				
Land Cruiser 100 Series, 5dr SUV 98- 07	US	115	150	
Land Cruiser 100 Series, 5dr SUV 98- 07	ZA	115	150	
Land Cruiser 100 Series, 5dr SUV Apr 98- Oct 07	NZ	115	150	
Land Cruiser 200 Series, 5dr SUV 07-+	EU	115	150	
Land Cruiser 200 Series, 5dr SUV Nov 07- +	NZ	115	150	
Land Cruiser Prado , 5dr SUV Mar 03-Nov 09	NZ	100	100	
Land Cruiser Prado GX, 5dr SUV Dec 09-+ NZ	NZ	100	100	

## MAX kgs



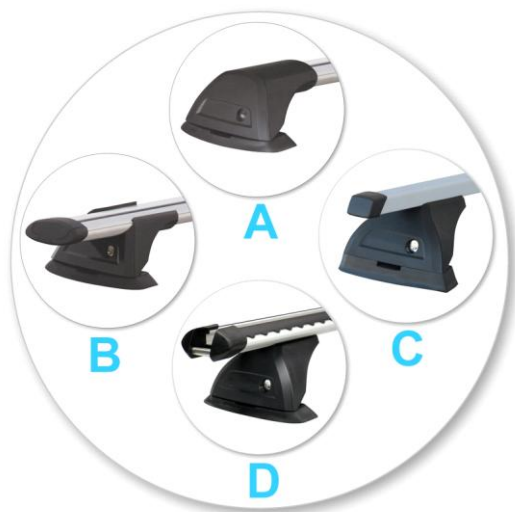
**W/P WHD**

LX470 , 5dr SUV May 98-Oct 07	NZ	115	150
Land Cruiser 100 Series, 5dr SUV 98- 07	EU	115	150
Land Cruiser 100 Series, 5dr SUV Apr 98- Jun 07	AU	115	150
Land Cruiser 200 Series, 5dr SUV 07-+	US	115	150
Land Cruiser 200 Series, 5dr SUV Aug 07- +	AU	115	150
Land Cruiser Prado , 5dr SUV 03- 09	EU	100	100
Land Cruiser Prado 120 Series, 5dr SUV Mar 03-Oct 09	AU	100	100
Land Cruiser Prado GX, 5dr SUV Nov 09-+ AU	AU	100	100

## First Time Installation



- Remove parts from inside the package and check. Contact your dealer if any parts are missing or damaged.



- This kit fits type A, B, C and D.
- These instructions show type A crossbar fitted. They also apply to type B, C and D.



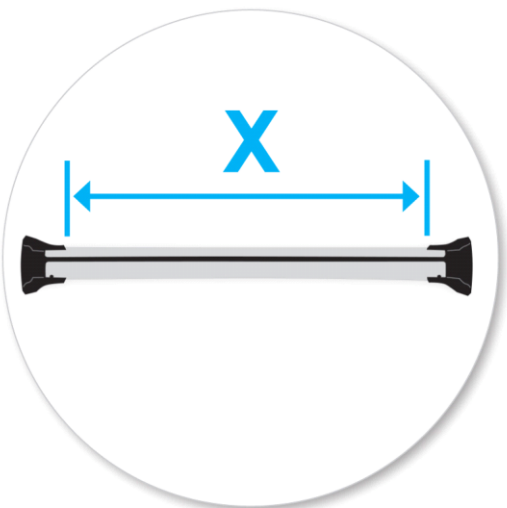
- Use keys to remove covers.



- Use hex screwdriver to reverse adjusting screw 10 turns.



- Press adjusting screw and pull crossbar legs out. Refer to the crossbar instructions for crossbar adjustment.
- Ensure each end of the crossbar is adjusted equally.



- Set bars to length (refer to the crossbar instructions for crossbar adjustment).
- Please check the rear of this manual for information relating specifically to your vehicle.



- Tighten adjusting screw to 5 Nm (3.7 ft lb).

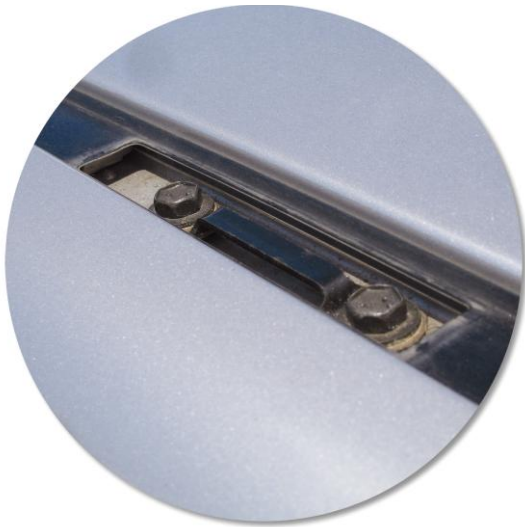


- Remove plastic clamp block by gripping bar leg with fingers and push firmly with thumbs until clamp block drops out behind leg.

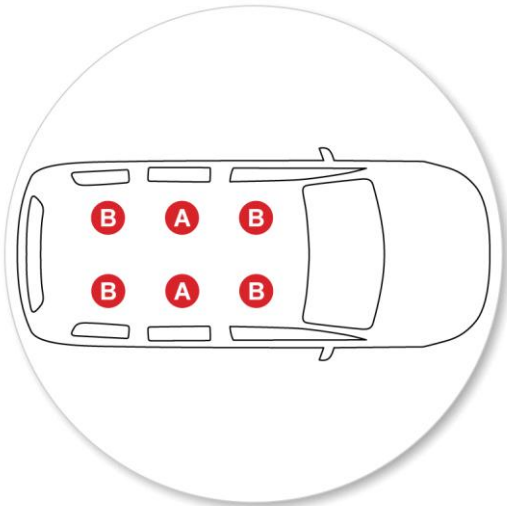


- Select plastic internal block (from fitting kit) and insert into foot.

## Fitment



- Open or remove fixed-point covers.
- Store items away in a safe place.



- Letters refer to the part numbers stamped on clamps.
- Clamp Part Number:  
A = 5212  
B = 5214



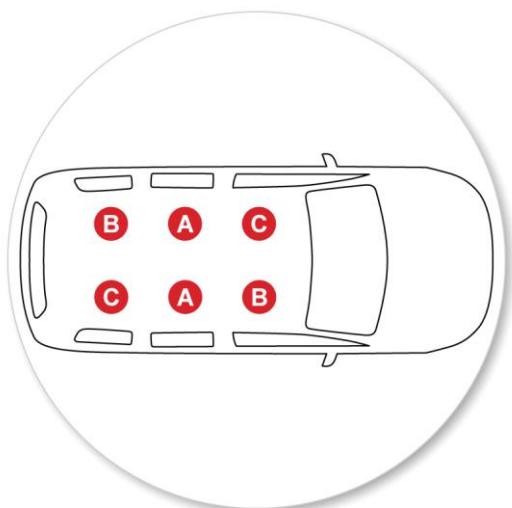
- Hook clamps into the fixed points on the vehicle.



- Place ditch mould insert over the clamp.
- Repeat for all six positions.



- Refer to the underside of the pad for the part number.



- Letters refer to the pad part numbers and position.
- Pad Part Number:
  - A = 11-04-218
  - B = 11-04-222
  - C = 11-04-223



- Place pads on roof as per diagram. Screw thread should be vertically through square hole in pad.



- Place crossbar foot over clamp bolt.



- Tighten the red plastic knob. The side with the nut showing should be facing up.





- Ensure the red plastic knob is in the position shown when fully tightened.
- Repeat for all six positions.



- Check crossbar is securely attached to the vehicle.
- Use keys to fit and lock covers

## CAUTION:

**Recheck all fasteners immediately after a load is applied to the crossbars.**

**Regularly check screws are tight.**

## Maintenance

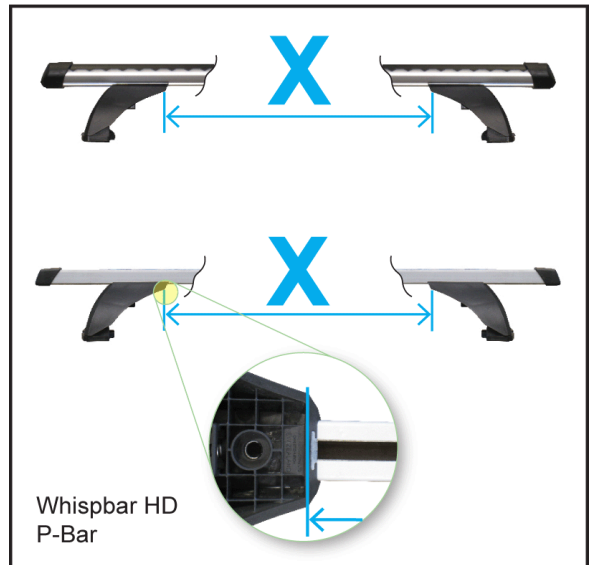
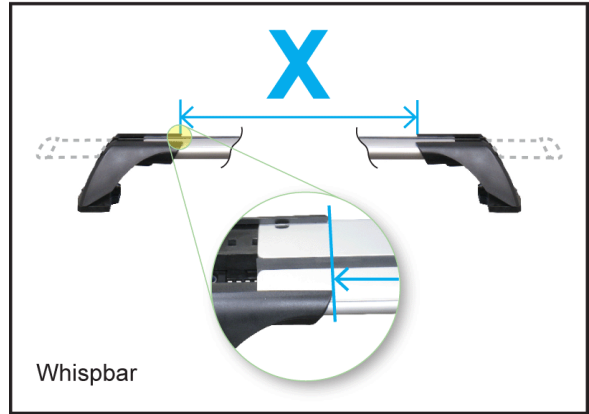
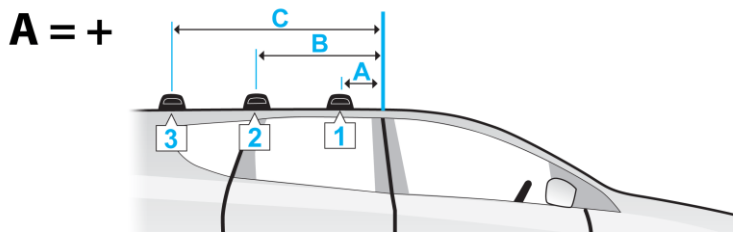
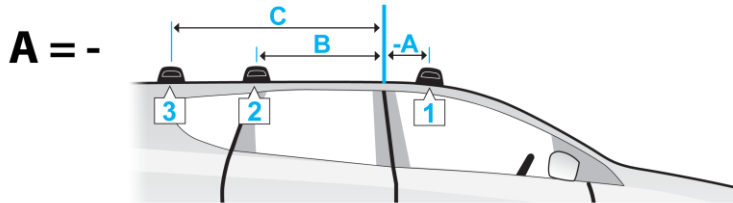
- Clean the car roof and surfaces of the product that will be in contact with the car roof.
- Follow the fitting instructions for fitting the product to your vehicle. Make sure all steps are carried out in order.
- Set crossbars a minimum distance of 700mm (27 1/2") apart where no other distance is specified in the fitting instructions. This is especially important when carrying long loads.
- Check unit is securely attached whenever you refit it to the vehicle. If the unit feels loose, refer to the fitting instructions and readjust.
- Some glass/panoramic roofs and radio antennae may not be able to be used when the product is fitted.
- Do not modify this product.
- Refer to the maximum permitted load capacity specified in the fitting instructions. Do not exceed the vehicle manufacturers roof load rating if it is lower than the maximum load capacity specified in the fitting instructions.
- Loads should not overhang the sides of the product and be evenly distributed with the lowest possible centre of gravity.
- Long loads should be secured with non-elastic straps to the front and rear of the vehicle.
- Objects with pointed ends (e.g. ski poles) should be carried with the pointed ends to the rear of the vehicle.
- Remove all loose or removable objects from the load prior to loading.
- Make sure all loads are securely fastened with non-elastic straps. Check regularly during longer journeys.

- A loaded roof rack system can alter the performance of your vehicle. Be especially aware of the effects of side winds, changing of direction, and braking performance. Avoid rapid acceleration and deceleration. Drive carefully.
- Note that the total height of the vehicle increases when upright loads are carried.
- Products should be locked during transport if they have locks fitted.
- Check and replace worn out or defective parts.
- Keep the product clean and maintained.
- Never drive into a car wash with the roof rack system fitted.
- Lubricate locks and adjusting screws at regular intervals.
- Remove the products from the vehicle when not in use. Make sure all loose parts are stored safely.

- 
- Hubco Automotive Ltd  
P. O. Box 11017  
Christchurch  
NEW ZEALAND

[www.whispbar.com](http://www.whispbar.com)  
[www.whispbar.com.au](http://www.whispbar.com.au)  
[www.whispbar.co.nz](http://www.whispbar.co.nz)  
[www.whispbar.co.uk](http://www.whispbar.co.uk)  
[www.whispbar.co.za](http://www.whispbar.co.za)  
[www.whispbar.eu](http://www.whispbar.eu)  
[www.whispbar.ca](http://www.whispbar.ca)

---



	X					
	A	B	C	1	2	3
Lexus LX470 , 5dr SUV Apr 98-Jul 07 (AU)	150mm 5 7/8"	820mm 32 5/16ths"	1540mm 60 5/8"	1040mm 40 15/16ths"	1010mm 39 3/4"	990mm 39 "
Lexus LX470 , 5dr SUV May 98-Oct 07 (NZ)	150mm 5 7/8"	820mm 32 5/16ths"	1540mm 60 5/8"	1040mm 40 15/16ths"	1010mm 39 3/4"	990mm 39 "
Toyota Land Cruiser 100 Series, 5dr SUV 98- 07 (EU)	150mm 5 7/8"	820mm 32 5/16ths"	1540mm 60 5/8"	1040mm 40 15/16ths"	1010mm 39 3/4"	990mm 39 "
Toyota Land Cruiser 100 Series, 5dr SUV 98- 07 (US)	150mm 5 7/8"	820mm 32 5/16ths"	1540mm 60 5/8"	1040mm 40 15/16ths"	1010mm 39 3/4"	990mm 39 "
Toyota Land Cruiser 100 Series, 5dr SUV 98- 07 (ZA)	150mm 5 7/8"	820mm 32 5/16ths"	1540mm 60 5/8"	1040mm 40 15/16ths"	1010mm 39 3/4"	990mm 39 "
Toyota Land Cruiser 100 Series, 5dr SUV Apr 98-Jun 07 (AU)	150mm 5 7/8"	820mm 32 5/16ths"	1540mm 60 5/8"	1040mm 40 15/16ths"	1010mm 39 3/4"	990mm 39 "
Toyota Land Cruiser 100 Series, 5dr SUV Apr 98-Oct 07 (NZ)	150mm 5 7/8"	820mm 32 5/16ths"	1540mm 60 5/8"	1040mm 40 15/16ths"	1010mm 39 3/4"	990mm 39 "
Toyota Land Cruiser 200 Series, 5dr SUV 07-+ (EU)	280mm 11 "	940mm 37 "	1600mm 63 "	983mm 38 11/16ths"	954mm 37 9/16ths"	935mm 36 13/16ths"
Toyota Land Cruiser 200 Series, 5dr SUV 07-+ (US)	280mm 11 "	940mm 37 "	1600mm 63 "	983mm 38 11/16ths"	954mm 37 9/16ths"	935mm 36 13/16ths"
Toyota Land Cruiser 200 Series, 5dr SUV Aug 07-+ (AU)	280mm 11 "	940mm 37 "	1600mm 63 "	983mm 38 11/16ths"	954mm 37 9/16ths"	935mm 36 13/16ths"
Toyota Land Cruiser 200 Series, 5dr SUV Nov 07-+ (NZ)	280mm 11 "	940mm 37 "	1600mm 63 "	983mm 38 11/16ths"	954mm 37 9/16ths"	935mm 36 13/16ths"
Toyota Land Cruiser Prado , 5dr SUV 03- 09 (EU)	-	850mm 33 7/16ths"	1340mm 52 3/4"	920mm 36 1/4"	864mm 34 "	841mm 33 1/8"
Toyota Land Cruiser Prado , 5dr SUV Mar 03-Nov 09 (NZ)	-	850mm 33 7/16ths"	1340mm 52 3/4"	920mm 36 1/4"	864mm 34 "	841mm 33 1/8"
Toyota Land Cruiser Prado 120 Series, 5dr SUV Mar 03-Oct 09 (AU)	-	850mm 33 7/16ths"	1340mm 52 3/4"	920mm 36 1/4"	864mm 34 "	841mm 33 1/8"
Toyota Land Cruiser Prado GX, 5dr SUV Dec 09-+ (NZ)	20mm 13/16ths"	830mm 32 11/16ths"	1310mm 51 9/16ths"	935mm 36 13/16ths"	895mm 35 1/4"	875mm 34 7/16ths"
Toyota Land Cruiser Prado GX, 5dr SUV Nov 09-+ (AU)	20mm 13/16ths"	830mm 32 11/16ths"	1310mm 51 9/16ths"	935mm 36 13/16ths"	895mm 35 1/4"	875mm 34 7/16ths"

