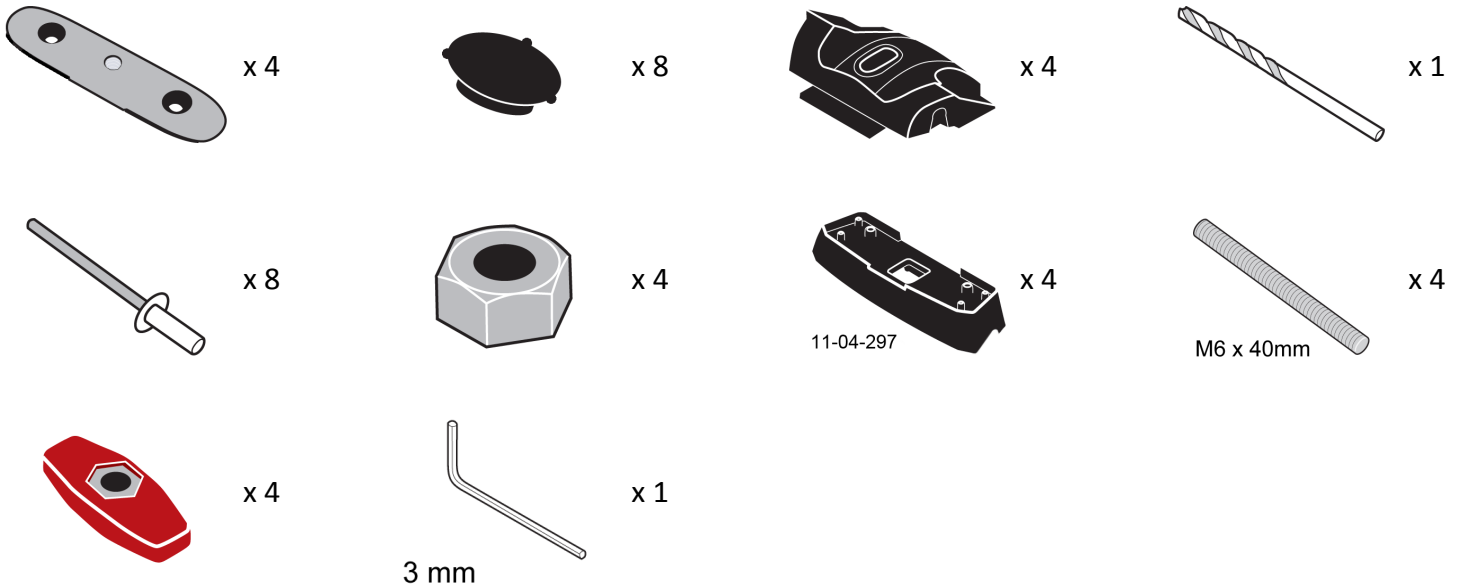
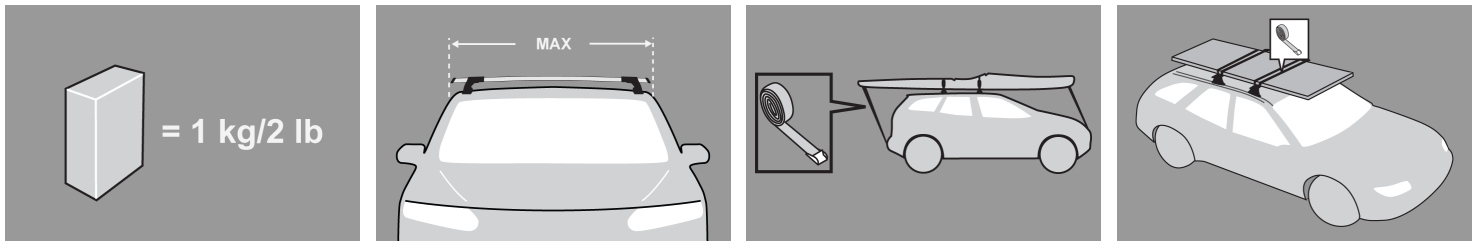


**GB** Fitting Instruction for Accessory





## MAX kgs

🚩 **W/P WHD**

## MAX kgs

🚩 **W/P WHD**

### Nissan

Navara D40 Double Cab, 4dr Truck 05-+ US  
Navara D40 Double Cab, 4dr Ute Dec 05-+ NZ

75 100  
75 100

Navara D40 Double Cab, 4dr Ute 05-+ EU  
Navara D40 Double Cab, 4dr Ute Nov 05-+ AU

75 100  
75 100

## Items you will require:

- Tape measure
- Pen
- Cordless drill
- Depth stop
- Vacuum cleaner
- Rust inhibitor
- Small paint brush
- Neutral cure silicon sealant
- Rivet gun

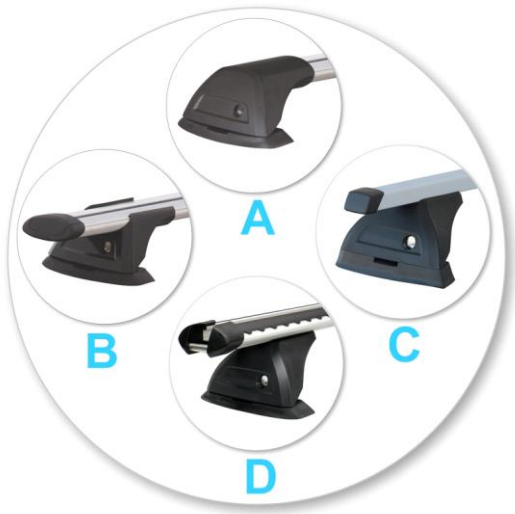
## Attention:

- Attaches with permanent mount blocks riveted to roof. Bar can be removed. Professional installation advised.

## First Time Installation



- Remove parts from inside the package and check. Contact your dealer if any parts are missing or damaged.



- This kit fits type A, B, C and D.
- These instructions show type D crossbar fitted. They also apply to type A, B and C.



- Use keys to remove covers.



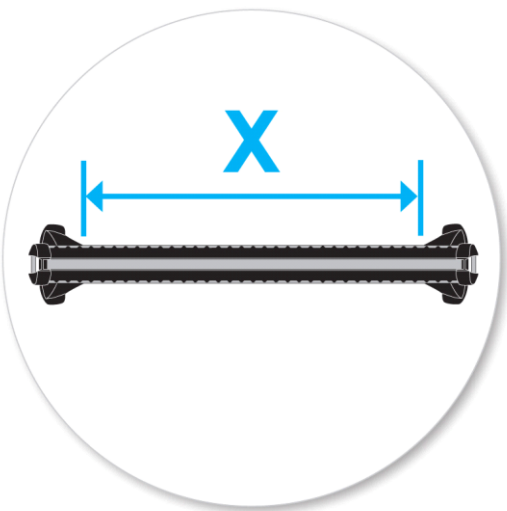
- Remove Hex Key from right hand cover.



- Use hex screwdriver to reverse adjusting screw 10 turns.



- Press adjusting screw and pull crossbar legs out. Refer to the crossbar instructions for crossbar adjustment.
- Ensure each end of the crossbar is adjusted equally.



- Adjust crossbar in or out to suit vehicle.
- Please check the rear of this manual for information relating specifically to your vehicle.



- Remove plastic clamp block by gripping bar leg with fingers and push firmly with thumbs until clamp block drops out behind leg.



- Select plastic internal block (from fitting kit) and insert into foot.
- Repeat for all legs.



- Tighten adjusting screw to 5 Nm (3.7 ft lb).



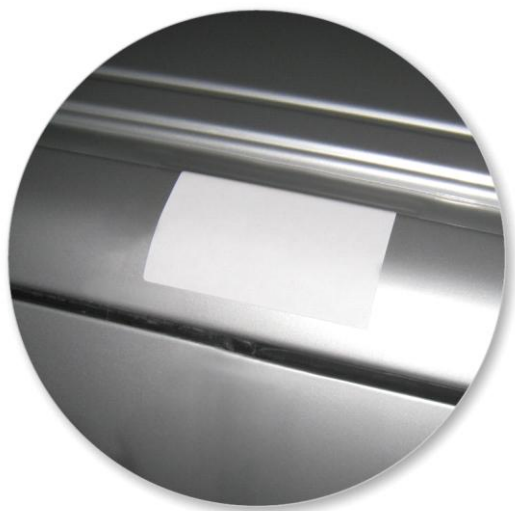
- Fit rubber pads (supplied with fitting kit) to foot. Pad may vary in shape to that shown.
- Make sure the pad fits into the holes underneath the foot.



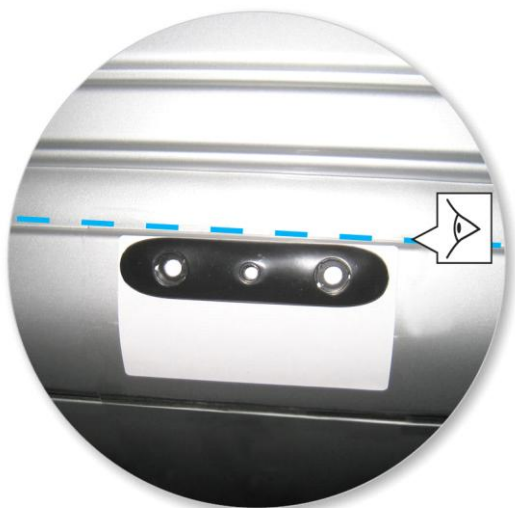
- This setup is applicable for two crossbars only.
- Recommended crossbar placement is as shown.



- This setup is applicable for one crossbar only.
- Recommended single crossbar placement is above door pillar.



- Apply masking tape to vehicle roof in all four positions.



- Position the permanent mount block so the inner edge of the block is on the outer edge of the ditch channel.

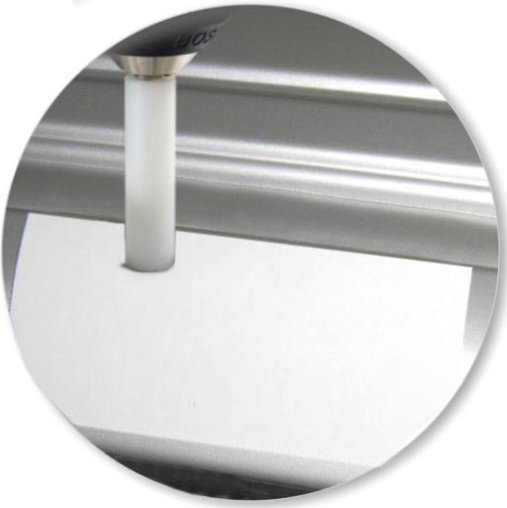


- Press adjusting screw and pull crossbar legs out. Refer to the crossbar instructions for crossbar adjustment.
- Ensure each end of the crossbar is adjusted equally.

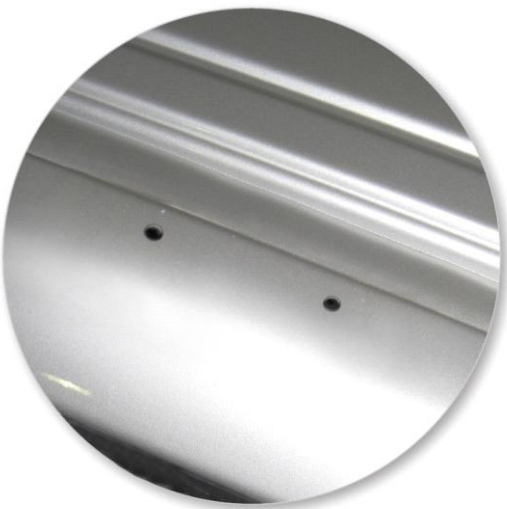




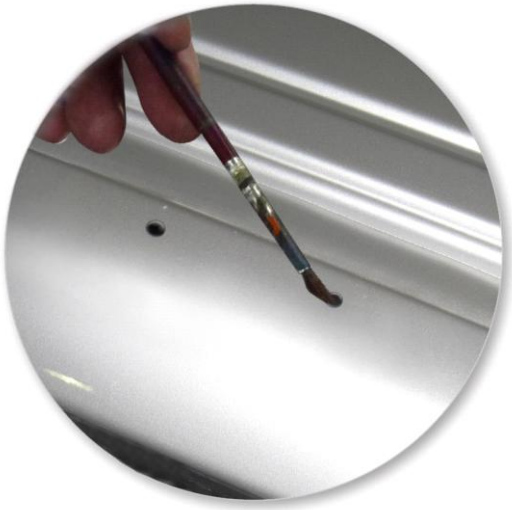
- With the drill, lightly mark both permanent mount hole positions while holding the mount firmly on roof.



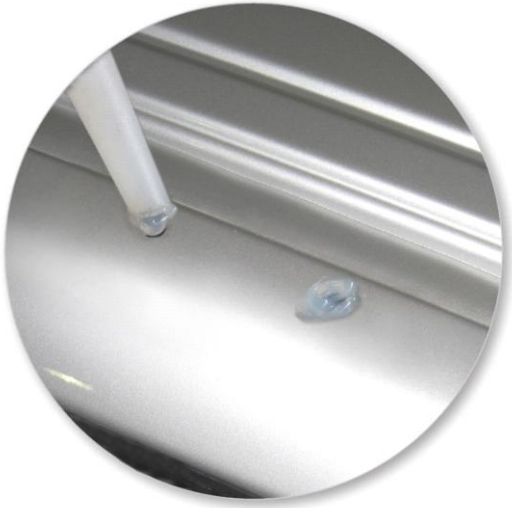
- CAUTION: Maximum depth 7mm (1/4"). Use 7mm (1/4") drillstop over supplied 4.9mm (1/4") drill bit. Drill two outside holes at marked positions.



- Remove masking tape.



- Treat holes to prevent corrosion.



- Apply neutral cure silicon sealant in and around drilled holes.



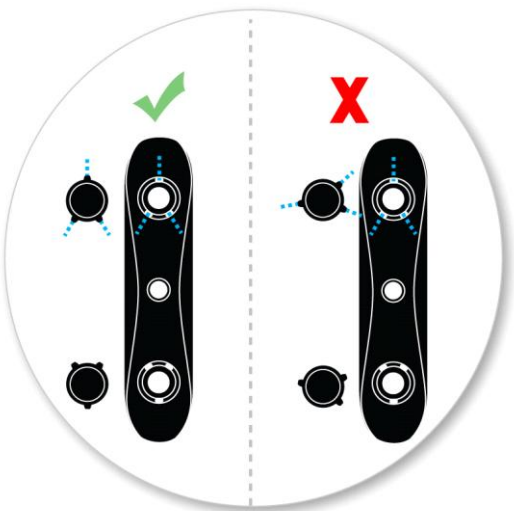
- Install rivets through permanent mount blocks.



- While holding the permanent mount block firmly on roof, rivet the blocks to the roof.



- Repeat for all four positions.



- Assemble as shown.

## Fitment



- Select four grub screws and screw them into the vehicle's fixed points.
- Do not over tighten.
- Repeat for all four positions.



- Fit nut to grub screw.



- Using spanner supplied with crossbar and 3mm (1/8") Hex Key, back grub screw off half a turn and lock nut down.



- Place crossbar on vehicle.



- Tighten the red plastic knob.



- Ensure the red plastic knob is in the position shown when fully tightened.



- Check crossbar is securely attached to the vehicle.
- Use keys to fit and lock covers

## **CAUTION:**

**Recheck all fasteners immediately after a load is applied to the crossbars.**

**Regularly check screws are tight.**

## Maintenance

- Clean the car roof and surfaces of the product that will be in contact with the car roof.
- Follow the fitting instructions for fitting the product to your vehicle. Make sure all steps are carried out in order.
- Set crossbars a minimum distance of 700mm (27 1/2") apart where no other distance is specified in the fitting instructions. This is especially important when carrying long loads.
- Check unit is securely attached whenever you refit it to the vehicle. If the unit feels loose, refer to the fitting instructions and readjust.
- Some glass/panoramic roofs and radio antennae may not be able to be used when the product is fitted.
- Do not modify this product.
- Refer to the maximum permitted load capacity specified in the fitting instructions. Do not exceed the vehicle manufacturers roof load rating if it is lower than the maximum load capacity specified in the fitting instructions.
- Loads should not overhang the sides of the product and be evenly distributed with the lowest possible centre of gravity.
- Long loads should be secured with non-elastic straps to the front and rear of the vehicle.
- Objects with pointed ends (e.g. ski poles) should be carried with the pointed ends to the rear of the vehicle.
- Remove all loose or removable objects from the load prior to loading.
- Make sure all loads are securely fastened with non-elastic straps. Check regularly during longer journeys.

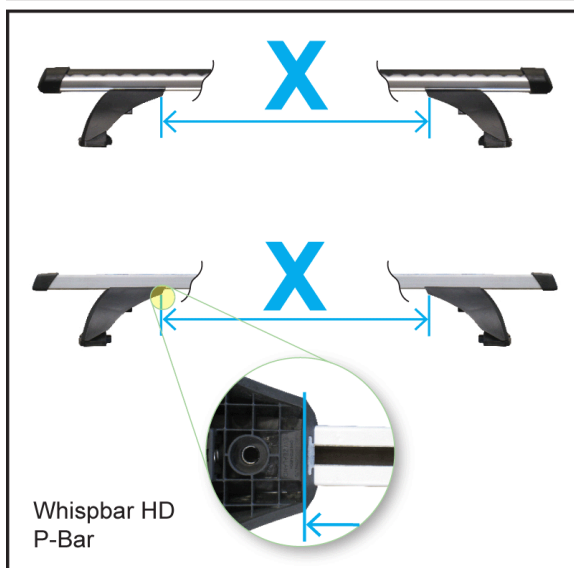
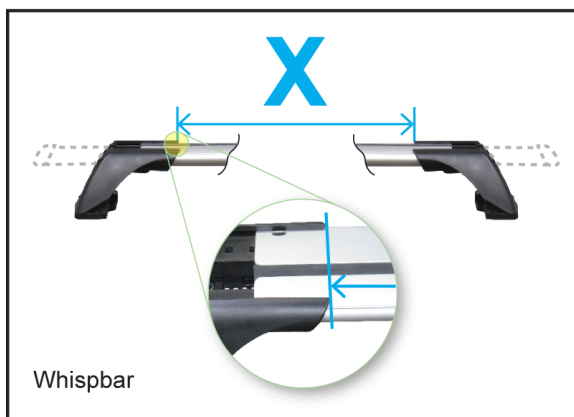
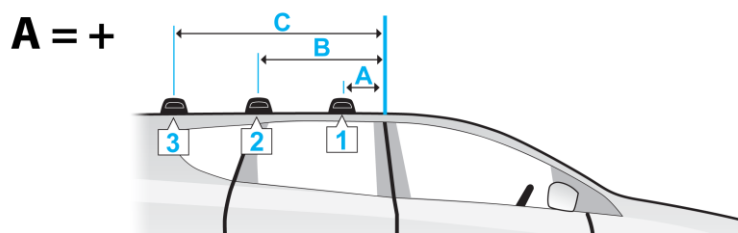
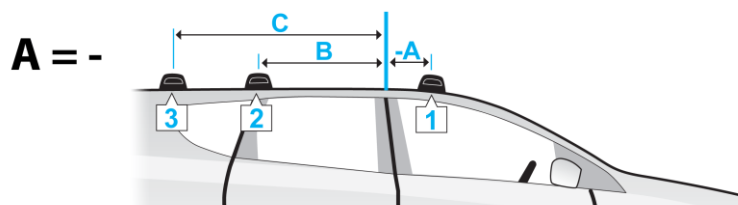
- A loaded roof rack system can alter the performance of your vehicle. Be especially aware of the effects of side winds, changing of direction, and braking performance. Avoid rapid acceleration and deceleration. Drive carefully.
- Note that the total height of the vehicle increases when upright loads are carried.
- Products should be locked during transport if they have locks fitted.
- Check and replace worn out or defective parts.
- Keep the product clean and maintained.
- Never drive into a car wash with the roof rack system fitted.
- Lubricate locks and adjusting screws at regular intervals.
- Remove the products from the vehicle when not in use. Make sure all loose parts are stored safely.

- 
- Hubco Automotive Ltd  
P. O. Box 11017  
Christchurch  
NEW ZEALAND

[www.whispbar.com](http://www.whispbar.com)  
[www.whispbar.com.au](http://www.whispbar.com.au)  
[www.whispbar.co.nz](http://www.whispbar.co.nz)  
[www.whispbar.co.uk](http://www.whispbar.co.uk)  
[www.whispbar.co.za](http://www.whispbar.co.za)  
[www.whispbar.eu](http://www.whispbar.eu)  
[www.whispbar.ca](http://www.whispbar.ca)

---





	A	B	C	X		
				1	2	3
Nissan Navara D40 Double Cab, 4dr Truck 05+ (US)	-100mm -3 15/16ths"	650mm 25 9/16ths"	-	962mm 37 7/8"	965mm 38 "	-
Nissan Navara D40 Double Cab, 4dr Ute 05+ (EU)	-100mm -3 15/16ths"	650mm 25 9/16ths"	-	962mm 37 7/8"	965mm 38 "	-
Nissan Navara D40 Double Cab, 4dr Ute Dec 05+ (NZ)	-100mm -3 15/16ths"	650mm 25 9/16ths"	-	962mm 37 7/8"	965mm 38 "	-
Nissan Navara D40 Double Cab, 4dr Ute Nov 05+ (AU)	-100mm -3 15/16ths"	650mm 25 9/16ths"	-	962mm 37 7/8"	965mm 38 "	-