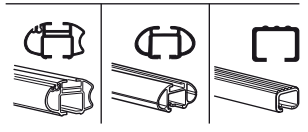
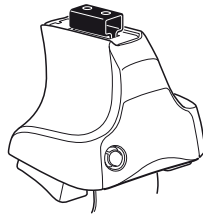


Kit 1118

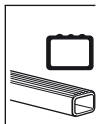
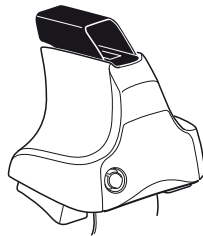
TOYOTA Hilux, 2-dr Pickup extended, 87-95

VOLKSWAGEN Taro, 2-dr Pickup extended, 87-95

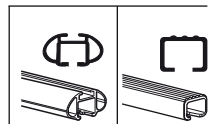
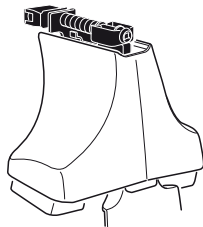
480R
754





480




750




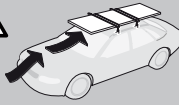

 xx kg
 xx lbs


+  7 kg / 15,4 lbs

=  3 kg / 6,6 lbs


Max. 75kg
Max. 165 lbs








 80 km/h 130 km/h
 50 Mph 80 Mph
 40 km/h 25 Mph
 km/h Mph


THULE

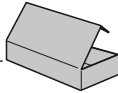



+ 

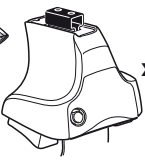
instructions Kit XXXX




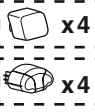






 x1

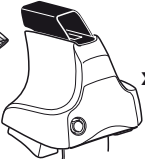
 x4


 x4


 x4
 x4

480R/754


 x1

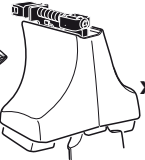
 x4


 x4

 x4

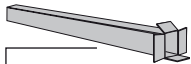
480







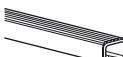
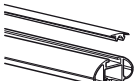



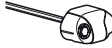
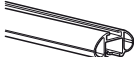

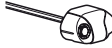

 x1

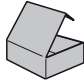
 x4


 x4

750

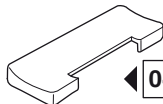


				
 x2	 x2	 x2	 x2	 x2
 x2		 x4	 x2	
 x2		 x4		
 x4				

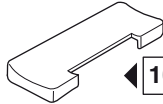




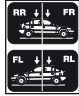
260 x 4



04 x 2

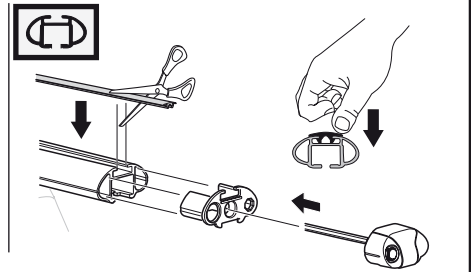
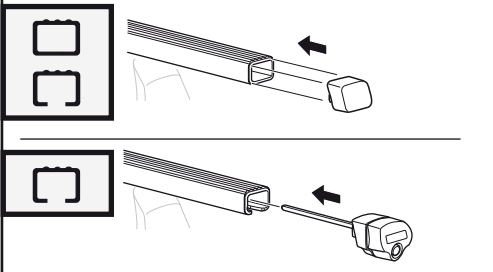
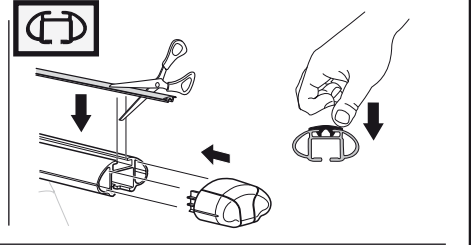
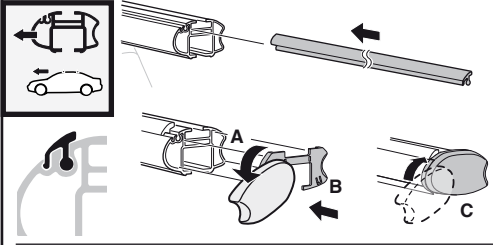
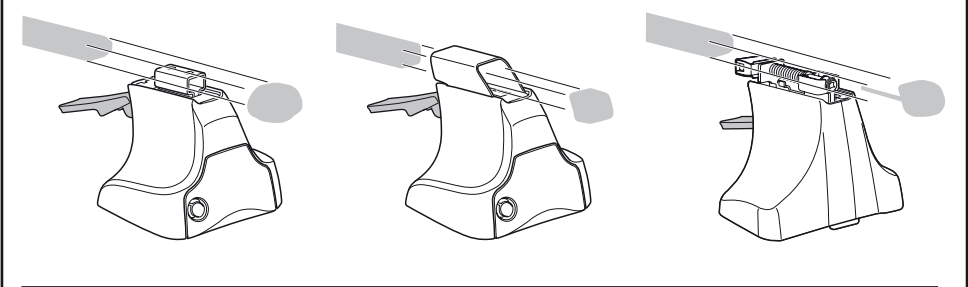
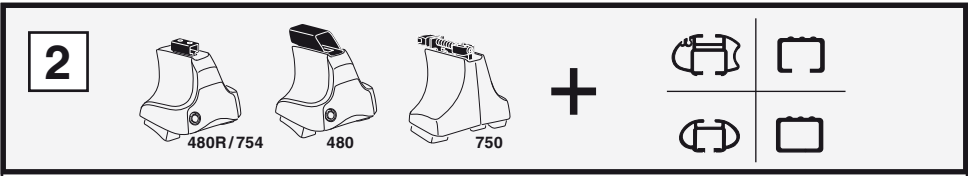
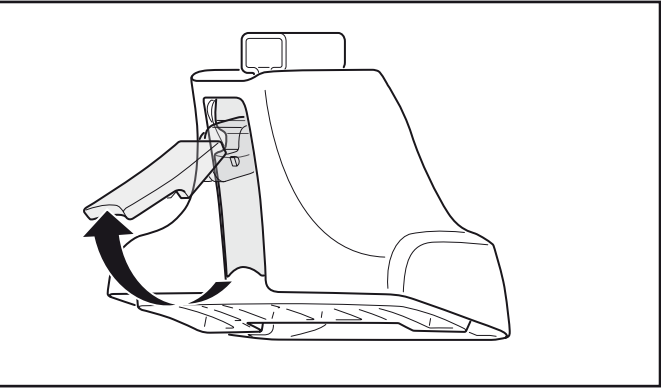
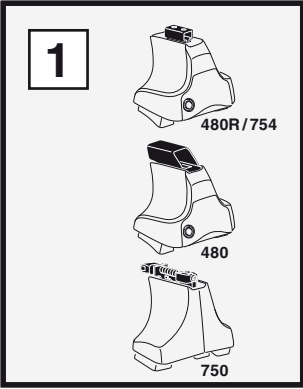


16 x 2

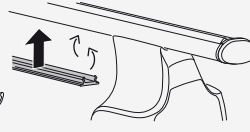
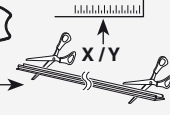
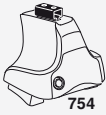


x 1

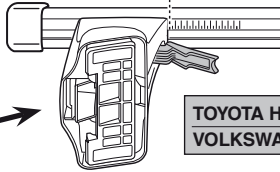
Kit



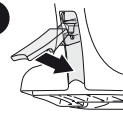
3



1

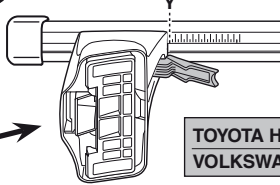


2

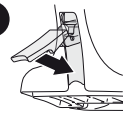


	X
TOYOTA Hilux, 2-dr Pickup extended, 87-95	32
VOLKSWAGEN Taro, 2-dr Pickup extended, 87-95	32

1



2



	Y
TOYOTA Hilux, 2-dr Pickup extended, 87-95	31,5
VOLKSWAGEN Taro, 2-dr Pickup extended, 87-95	31,5

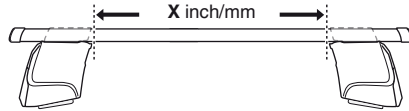
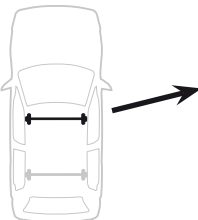


480R

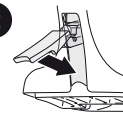


480

1

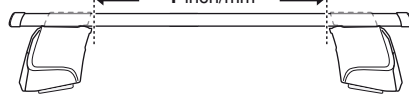
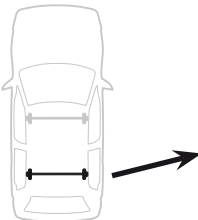


2

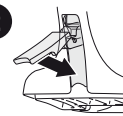


	X inch	X mm
TOYOTA Hilux, 2-dr Pickup extended, 87-95	38 1/4"	971 mm
VOLKSWAGEN Taro, 2-dr Pickup extended, 87-95	38 1/4"	971 mm

1



2

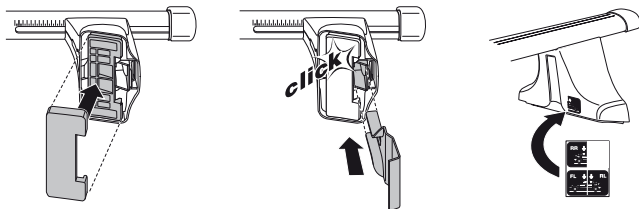
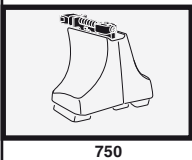
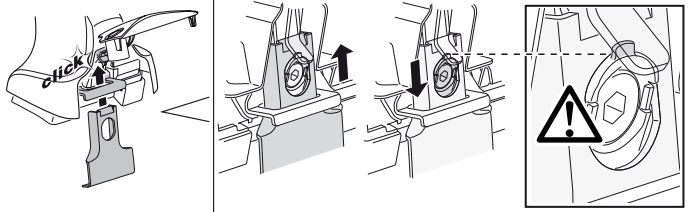
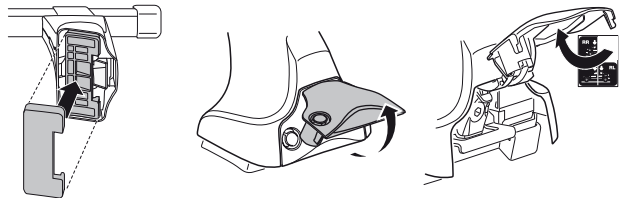
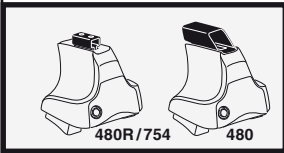
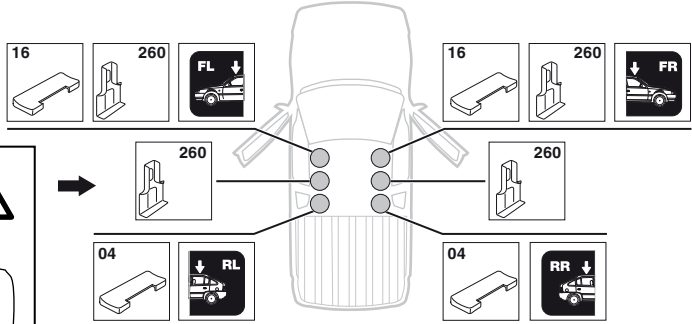
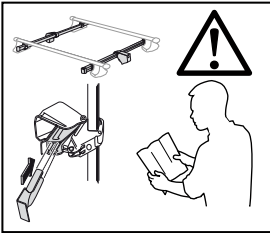


	Y inch	Y mm
TOYOTA Hilux, 2-dr Pickup extended, 87-95	38"	966 mm
VOLKSWAGEN Taro, 2-dr Pickup extended, 87-95	38"	966 mm

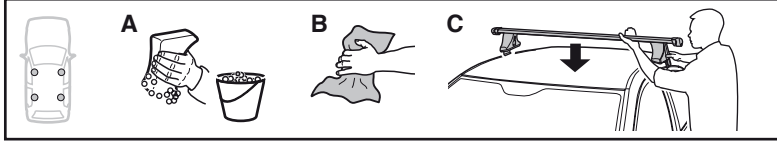
4

TOYOTA Hilux, 2-dr Pickup extended, 87-95
VOLKSWAGEN Taro, 2-dr Pickup extended, 87-95

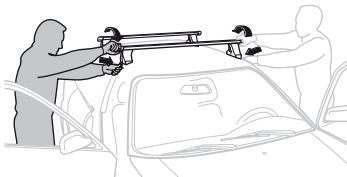
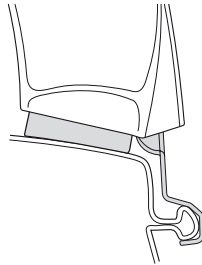
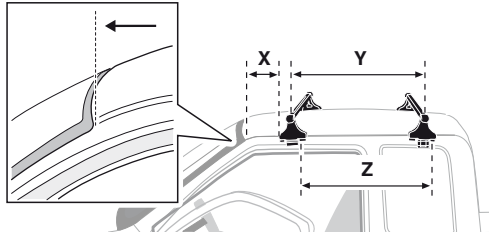
SRA



5



	X mm	Y mm	Z mm	X inch	Y inch	Z inch
TOYOTA Hilux , 2-dr Pickup extended, 87-95	160 mm	700 mm	350 mm	6 1/4"	27 1/2"	13 3/4"
VOLKSWAGEN Taro , 2-dr Pickup extended, 87-95	160 mm	700 mm	350 mm	6 1/4"	27 1/2"	13 3/4"



GB/US Tighten alternately

D Die Schrauben abwechselnd anziehen

F Serrer alternativement chaque côté

NL Afwisselend aan de linker- en de rechterkant aandraaien

I Alternare il serraggio delle viti

E Apretar alternativamente

PT Aperte alternadamente

S Dra åt växelsvis

FIN Kierrä vuorotellen

EST Pinguldage vaheldumisi

LAT Pievelciet pamišus

LIT Užsukinėkite pakaitomis

PL Śruby dokręcaj naprzemiennie

RU Затягивайте попеременно

CZ Pokręťta bagažníka dokręcaj dokręcaj naprzemiennie.

SK Dotiahujte striedavo

SLO Privijajte izmenično.

HR Naizmjenično zategnite

HU Egymástól függetlenül szorítandó

GR Σφιγγετε εναλλάξ

TR Dönüşümlü sıkın

中文 交替拧紧

한국어 번갈아 가며 조이십시오.

日本語 交互に締め付けてください。

ไทย ชับในแบบสลับ

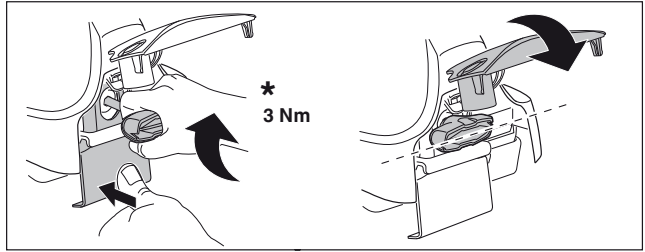
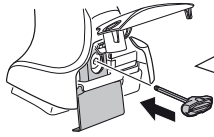
6



480R/754



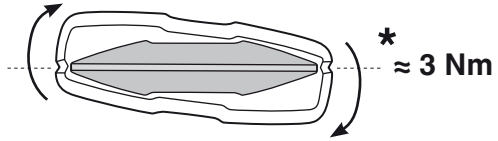
480



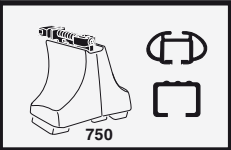
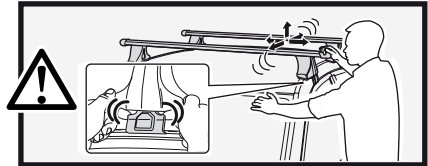
*
3 Nm



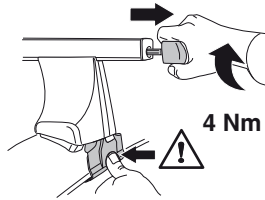
*



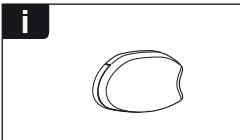
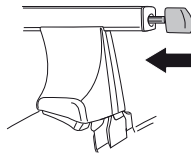
*
≈ 3 Nm



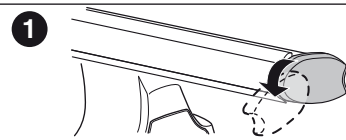
750



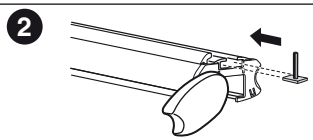
4 Nm



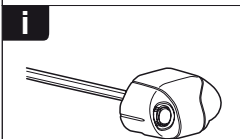
i



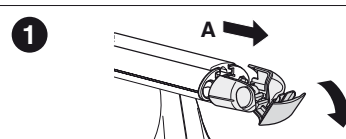
1



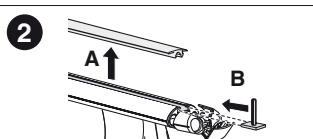
2



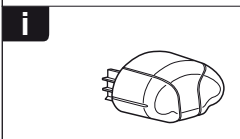
i



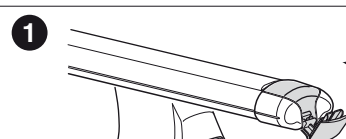
1



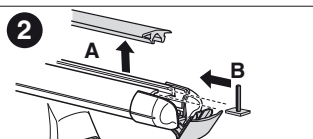
2



i



1



2



THULE
SWEDEN
**ONE
KEY
SYSTEM**



- 544 (x4)
- 596 (x6)
- 588 (x8)
- NA 510 (x10)
- EUR 452 (x12)
- ASIA



WW ▶ Thule Sweden AB, Box 69, 330 33 Hillerstorp, SWEDEN
NA ▶ Thule Inc., 42 Silvermine Road, Seymour, Connecticut 06483, USA

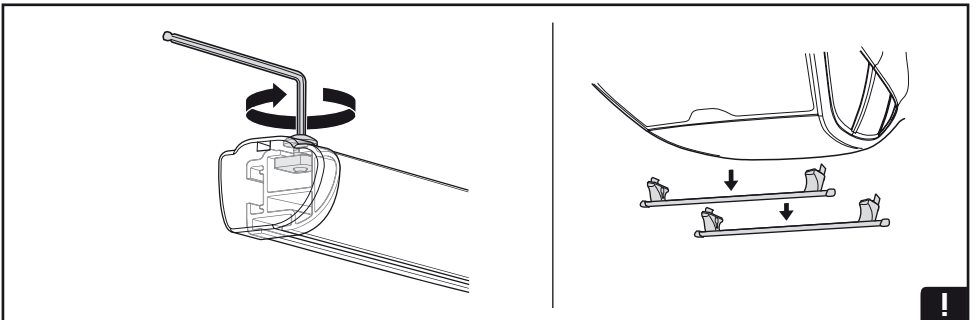
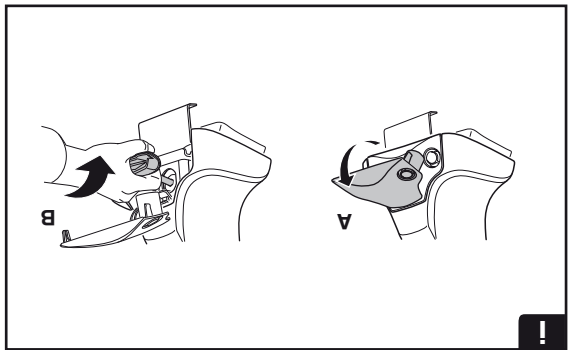
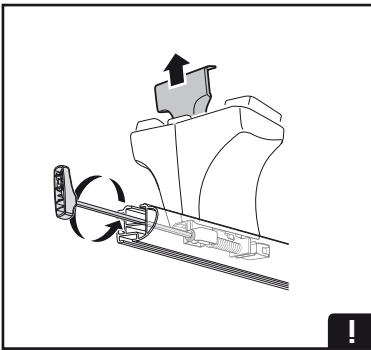
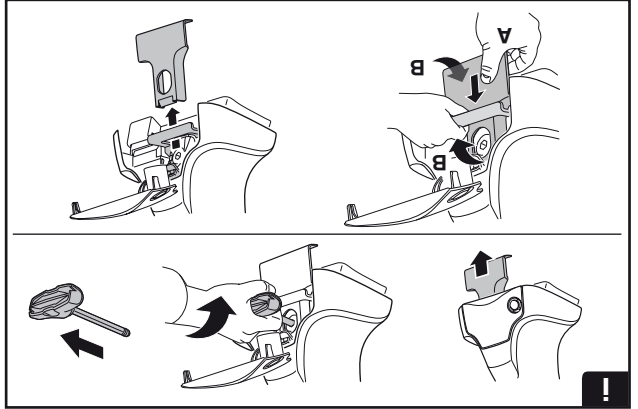
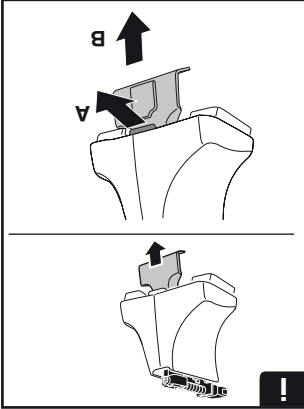
info@thule.com
customer.service@thule.com

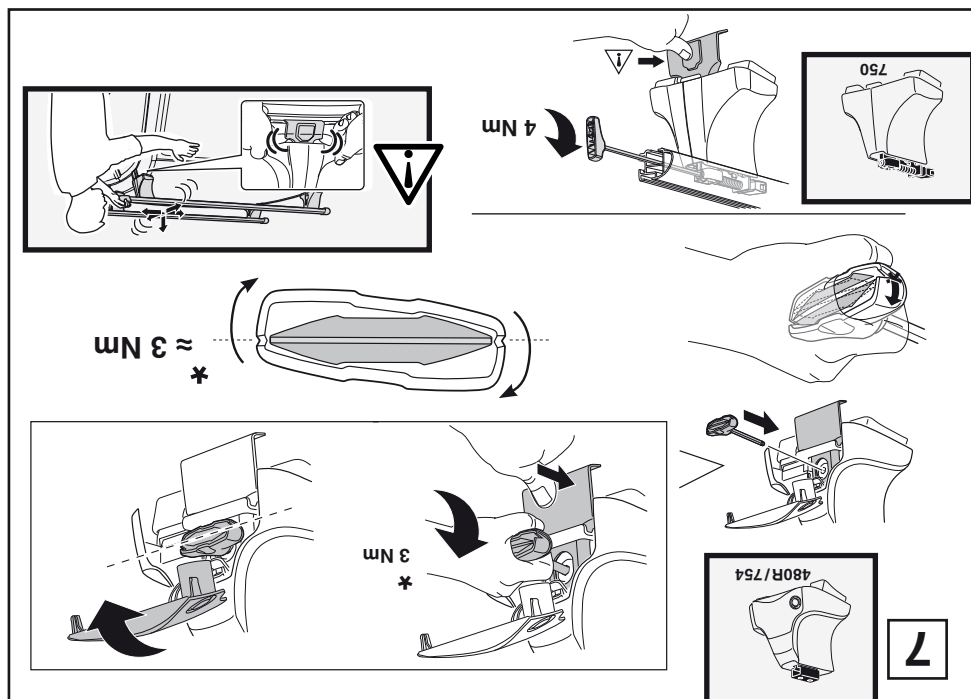
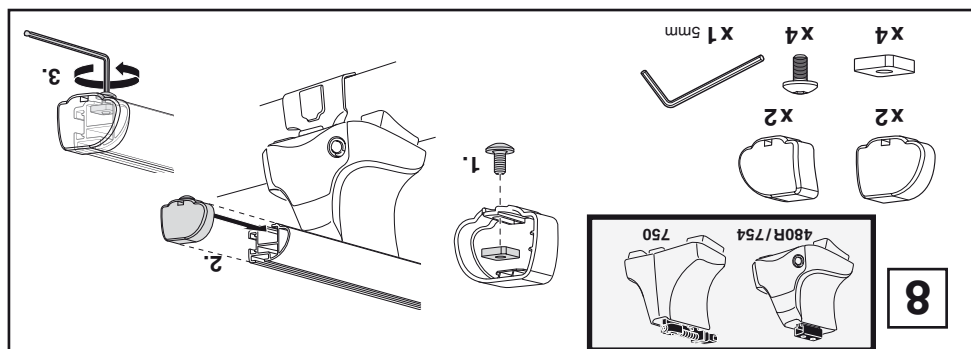
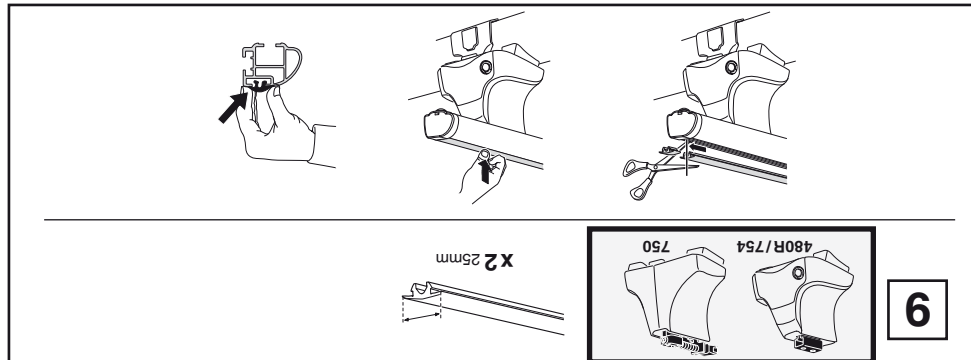
www.thule.com

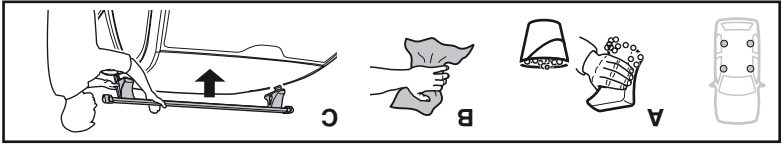
www.thuleprofessional.com

info@thule.com
customer.service@thule.com

Thule Inc., 42 Silvermine Road, Seymour, Connecticut 06483, USA
Thule Sweden AB, Box 69, 330 33 Hillerstorp, SWEDEN

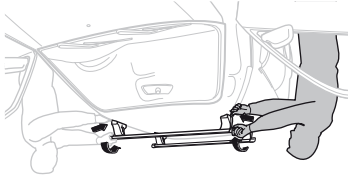
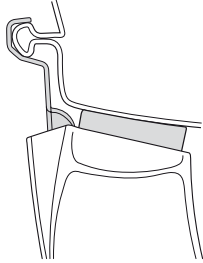
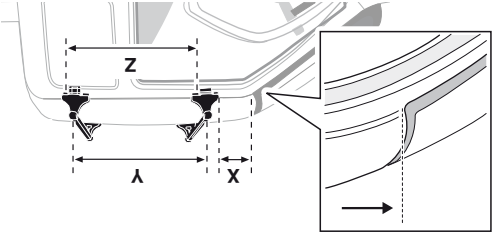






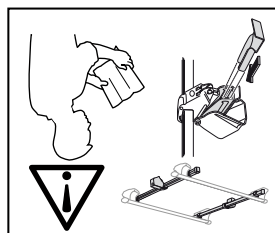
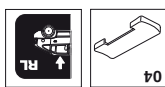
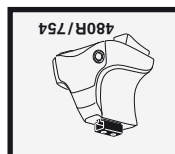
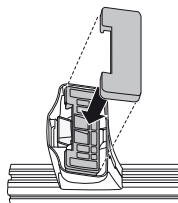
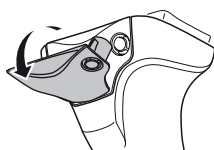
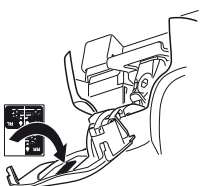
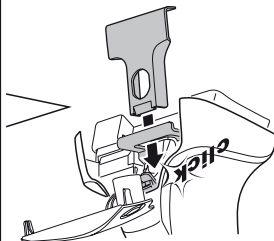
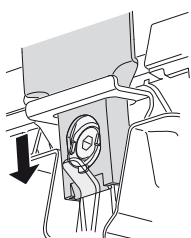
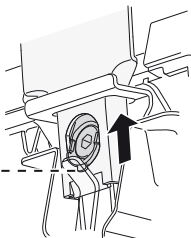
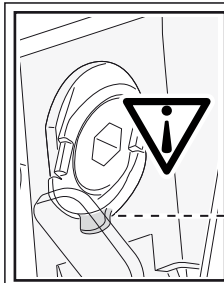
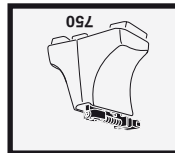
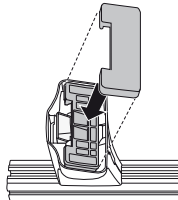
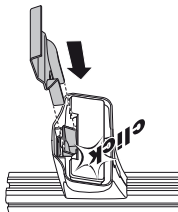
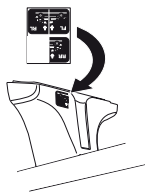
6

X inch		Y inch		Z inch	
6 1/4"	27 1/2"	6 1/4"	27 1/2"	13 3/4"	13 3/4"
X mm		Y mm		Z mm	
160 mm	700 mm	350 mm	160 mm	700 mm	350 mm



- FIN Kierrä vuorellien
- EST Pinguudage vaheldumisi
- LAT Pievociet pamīšus
- LIT Užskinkite pakaitomis
- PL Słubę dokręcał naprzemiennie
- RU Затягивайте попеременно
- CZ Pokrétla bagazníka dokręcał dokręcał naprzemiennie.
- SK Dotiahnuť striedavo dokręcať naprzemiennie.
- SLO Privijajte izmenično.
- HR Naizmjerno zategnite
- HU Egymástelel fűggetlenül szorítandó
- GR Δίνουμε ένα ένα εναλλάξ
- TR Dönüşümlü sıkın
- 中文 交替拧紧
- 한국어 번갈아가며 조이십시오.
- 日本語 交互に締め付けてください。
- Име

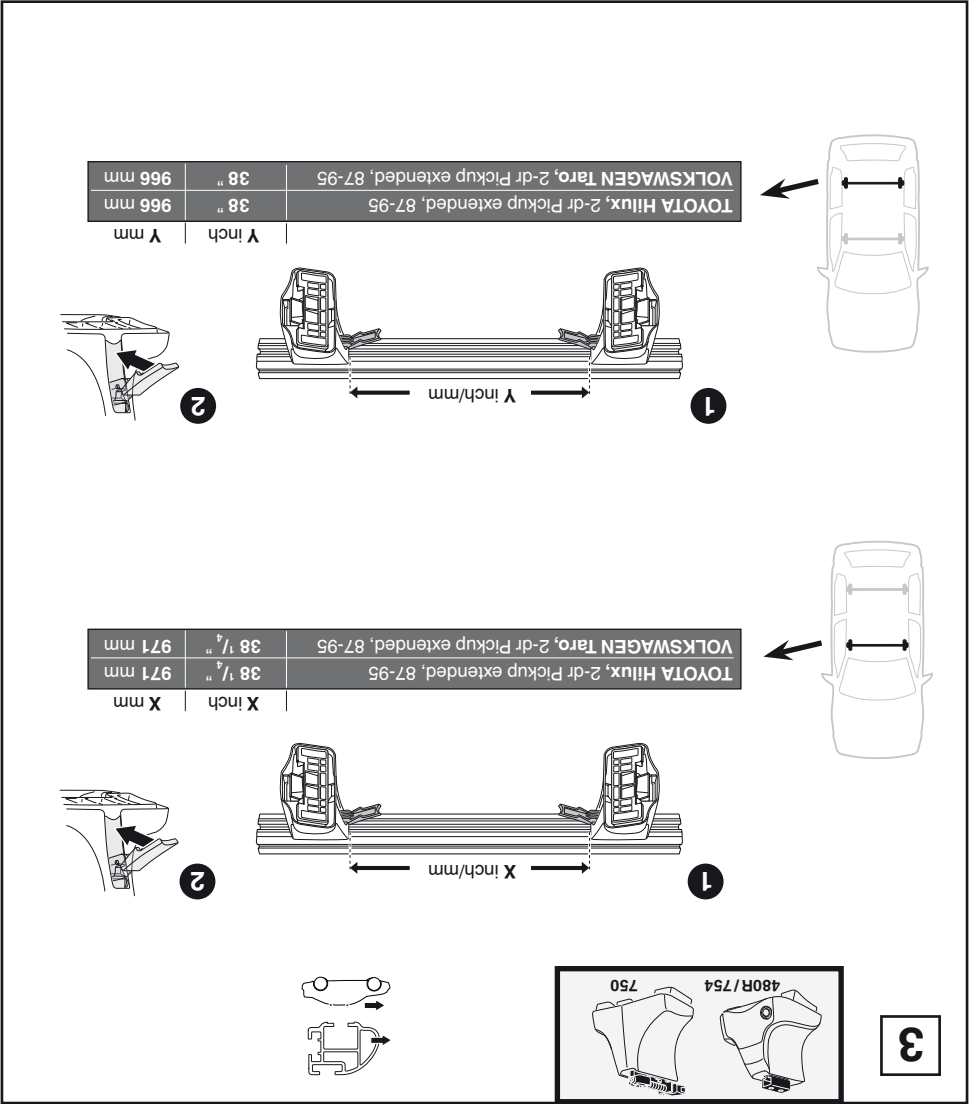
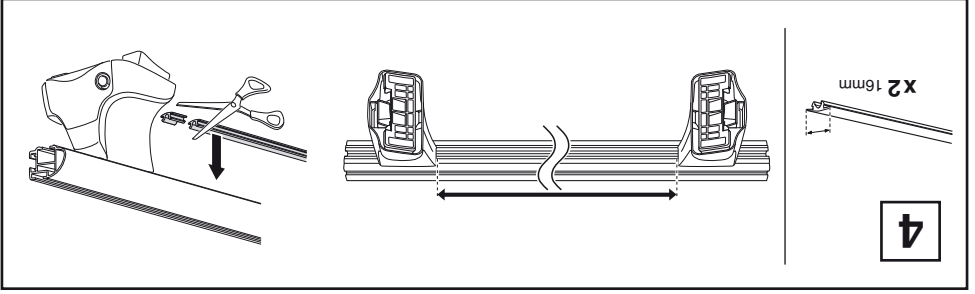
- GB/US Tighten alternately
- D Die Schrauben abwechselnd anziehen
- F Serres alternativement chaque côté
- NL Afwisselend aan de linker- en de rechterkant aandraaien
- I Alternare il serraggio delle viti
- E Apretar alternativamente
- PT Aprete alternadamente
- S Dra åt växelvis

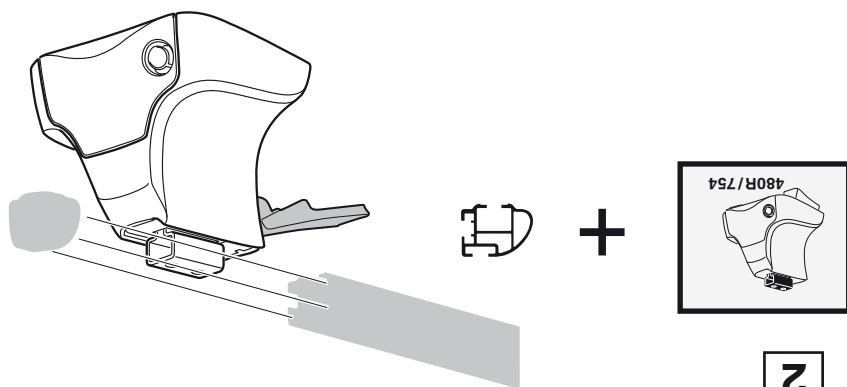
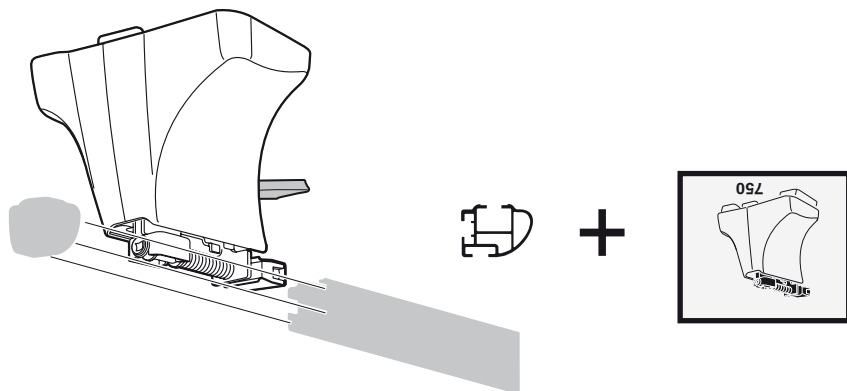


SRA

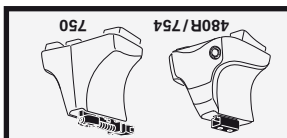
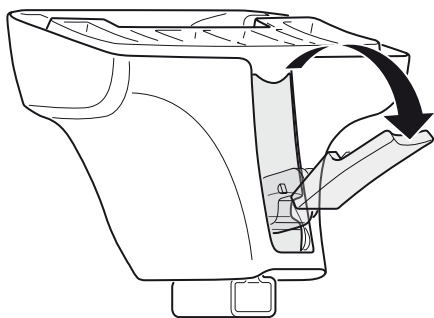


TOYOTA Hilux, 2-dr Pickup extended, 87-95
VOLKSWAGEN Taro, 2-dr Pickup extended, 87-95

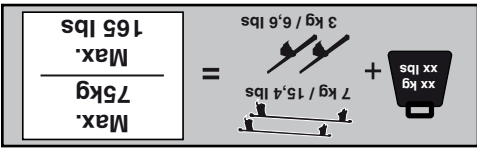
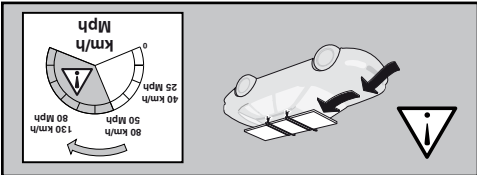
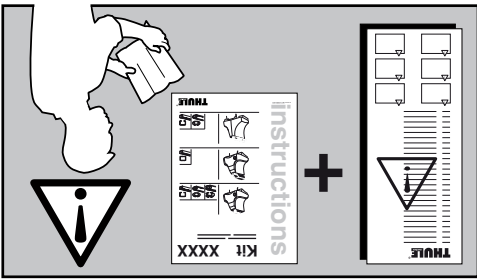
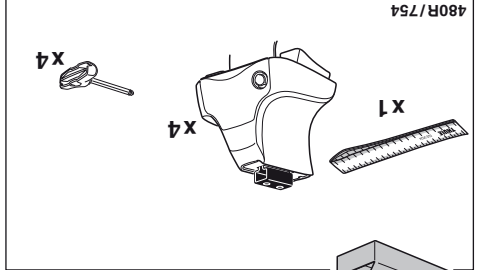
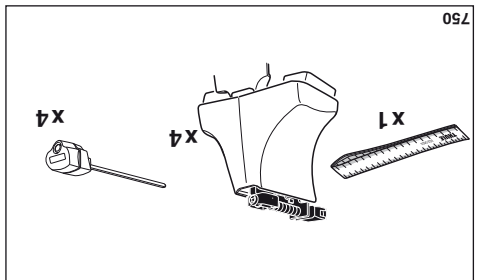
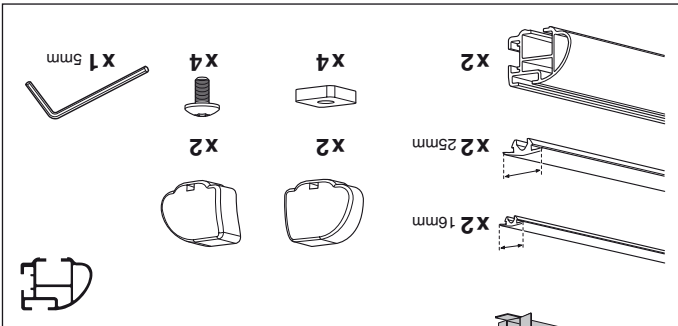
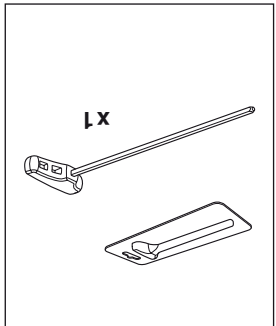
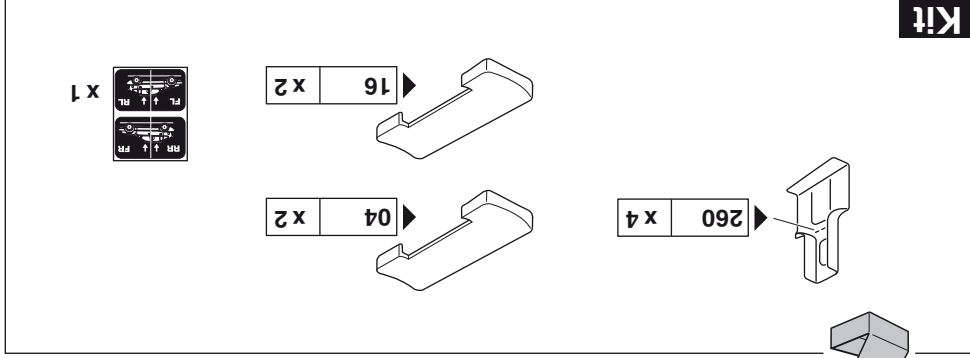




2



1

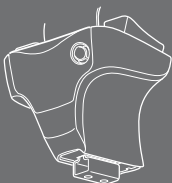


instructions

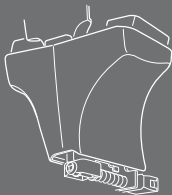
20091001:503-1118

Kit 1118

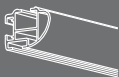
TOYOTA Hilux, 2-dr Pickup extended, 87-95
VOLKSWAGEN Taro, 2-dr Pickup extended, 87-95



480R
754



750



ISO 11154-E

THULE
SWEDEN

PROFESSIONAL