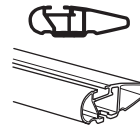
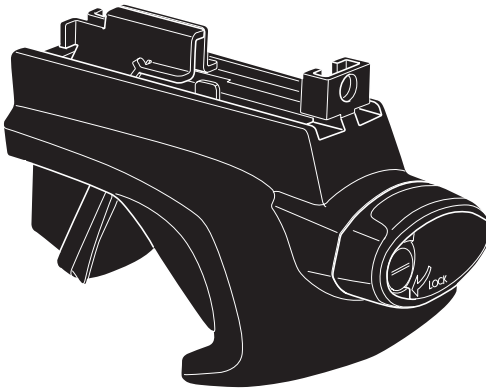
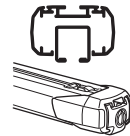


Thule Rapid System 757

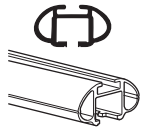
> Instructions



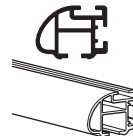
WingBar



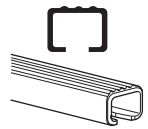
SlideBar



AeroBar



ProBar

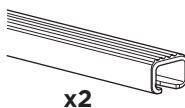
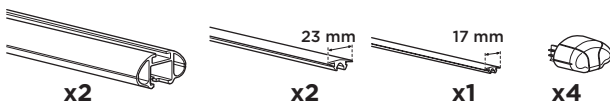
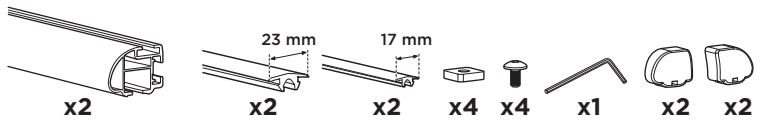
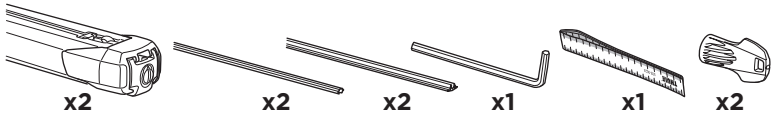
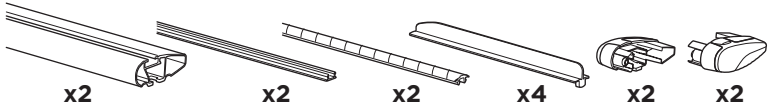
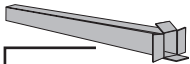
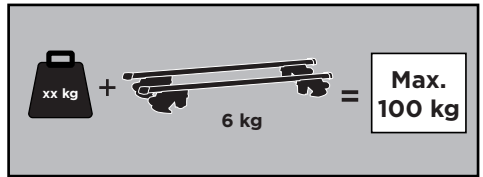
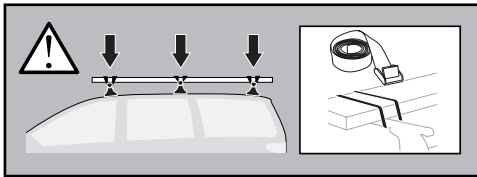
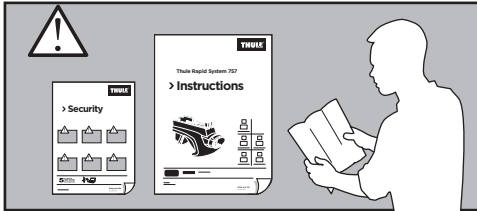
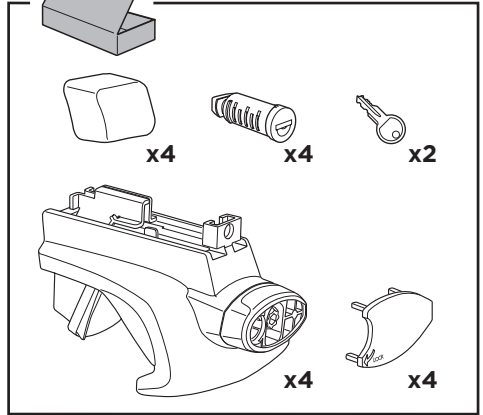
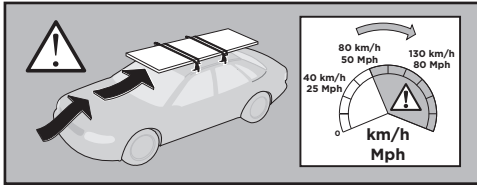


SquareBar

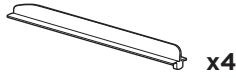
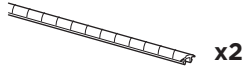


CITY CRASH ISO 11154-E

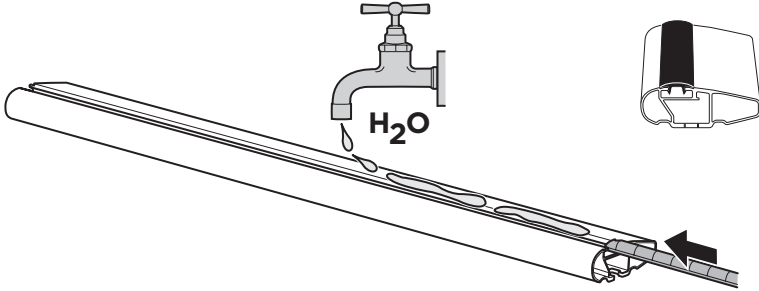
Complies with ISO norm



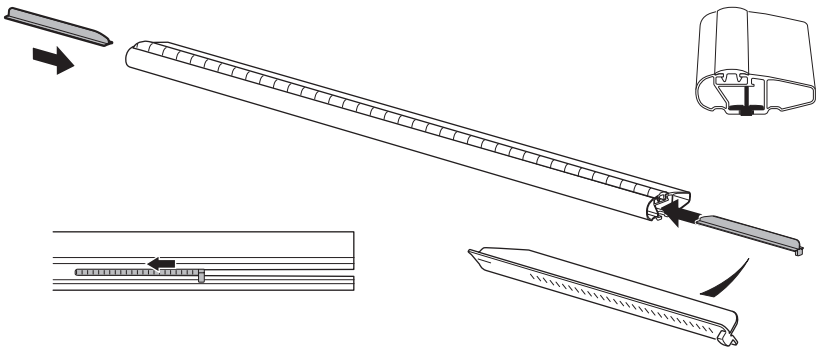
1



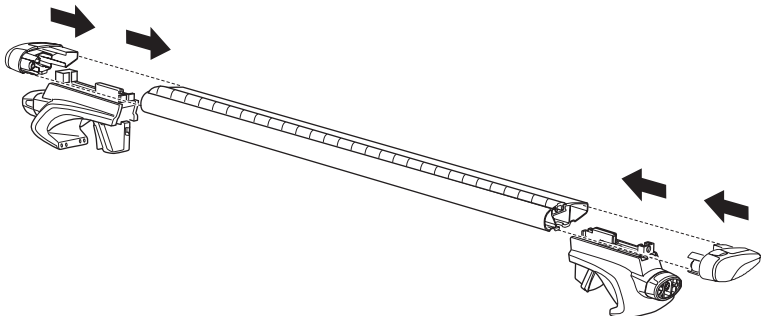
A



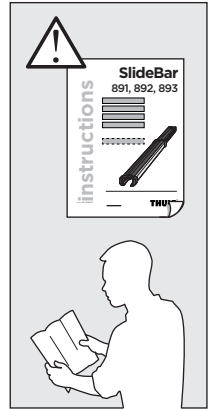
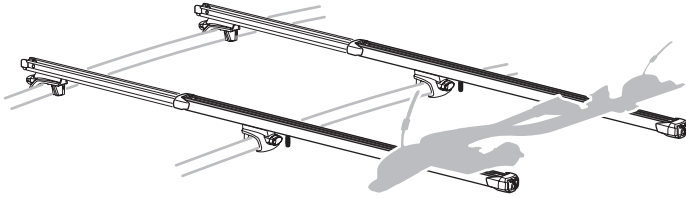
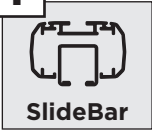
B



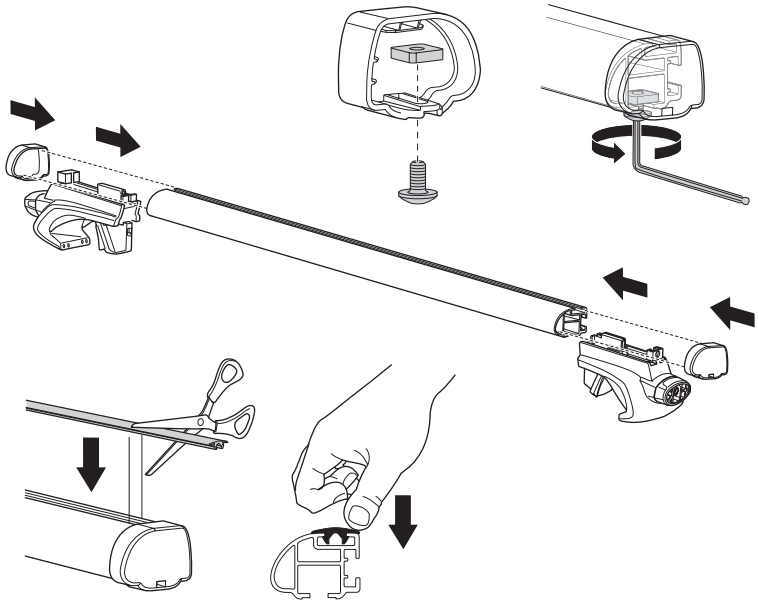
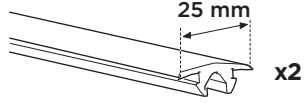
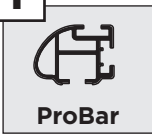
C



1



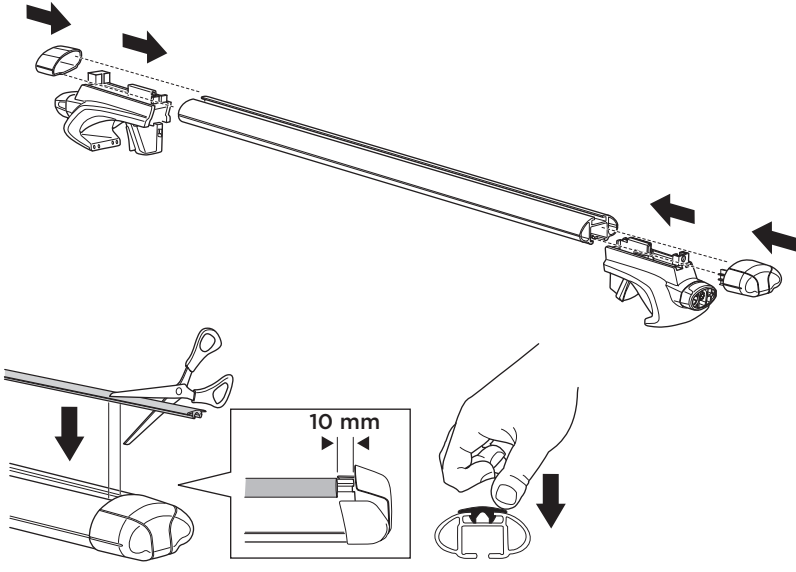
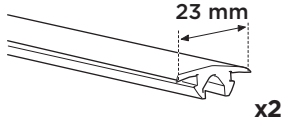
1



1



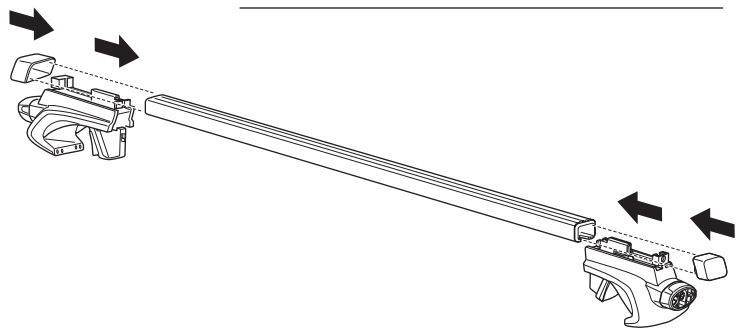
AeroBar

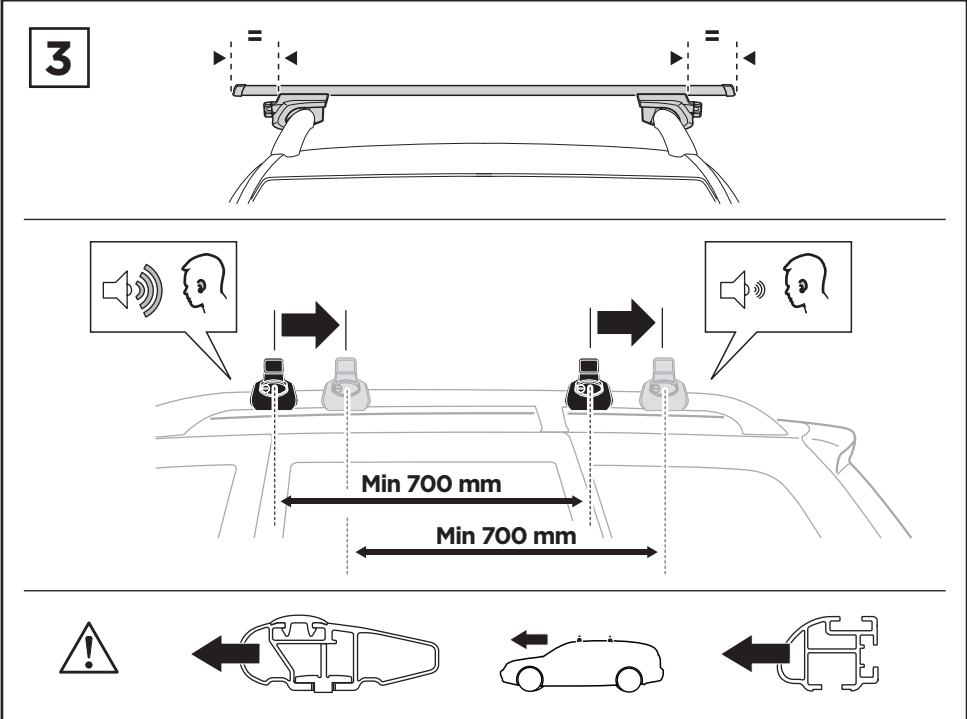
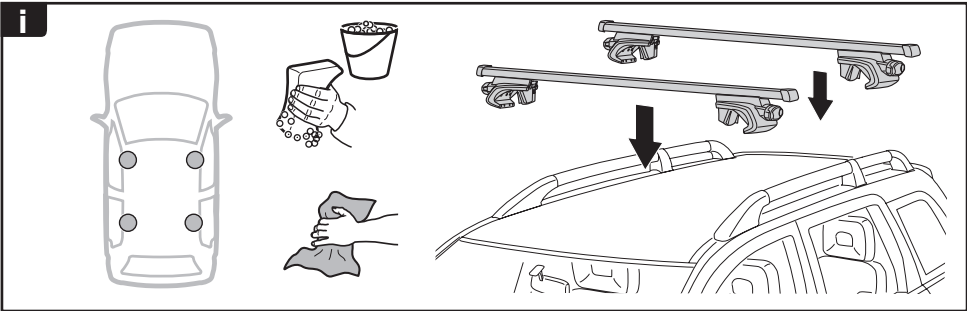
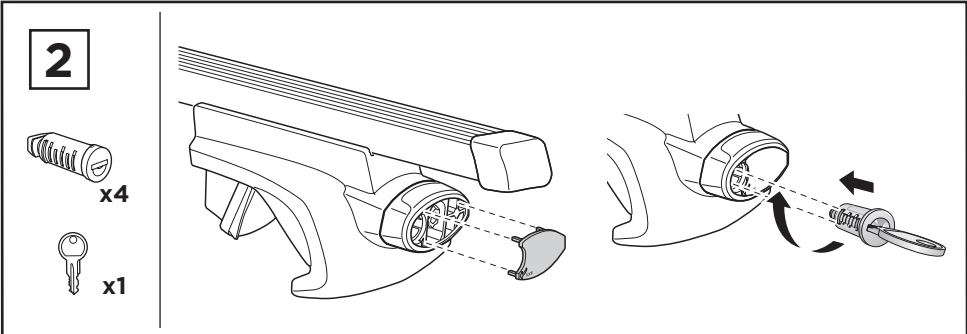


1

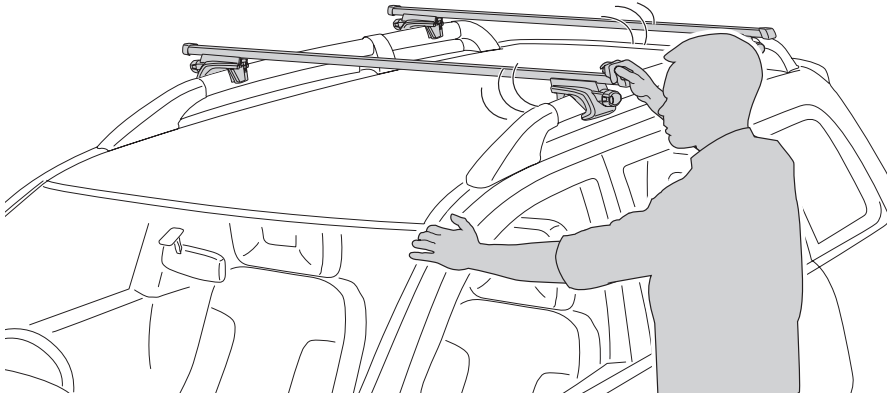
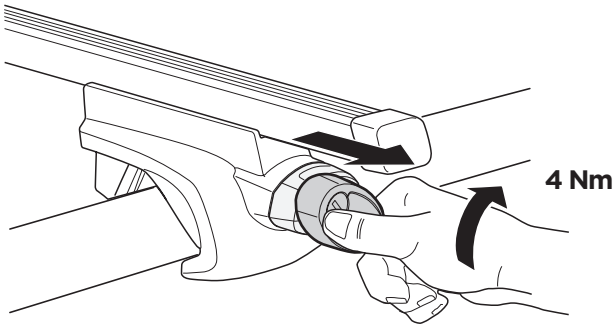


SquareBar

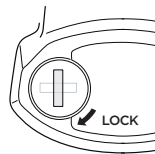
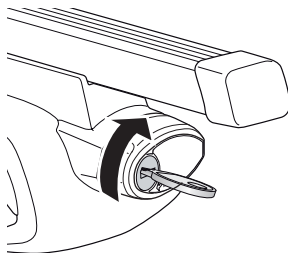
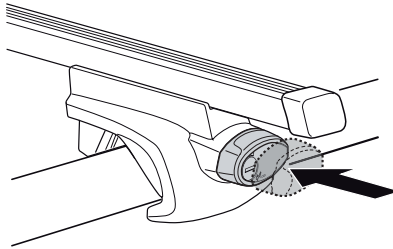


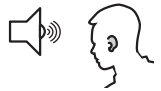


4

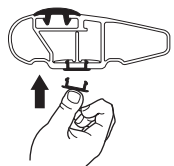
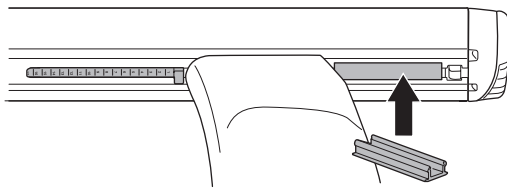
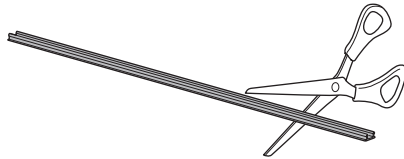
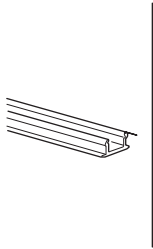


5

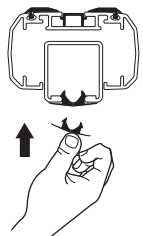
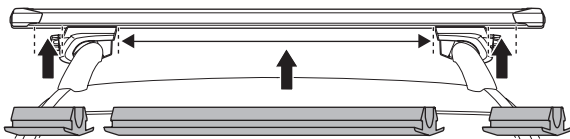
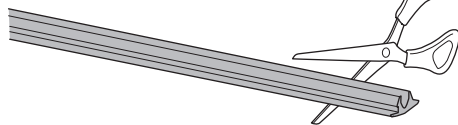
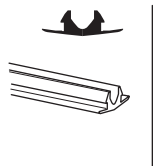


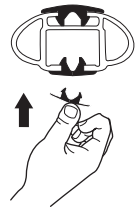
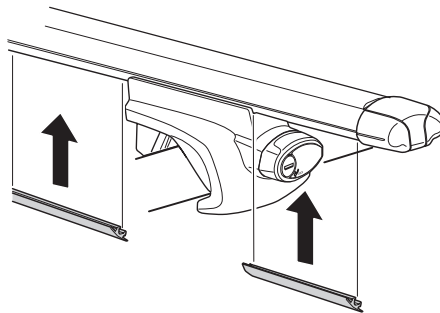
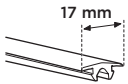
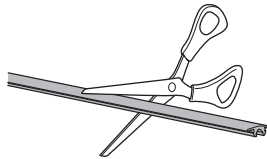
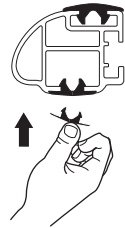
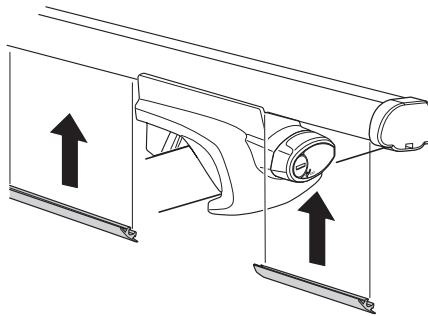
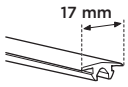
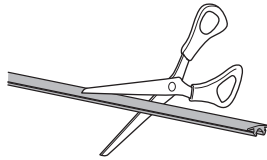
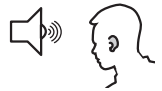



WingBar



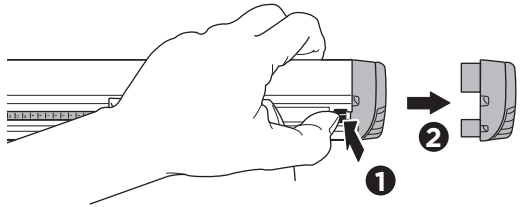
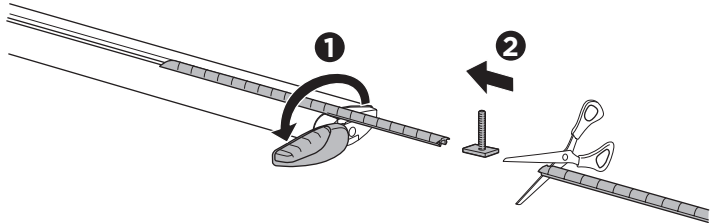

SlideBar




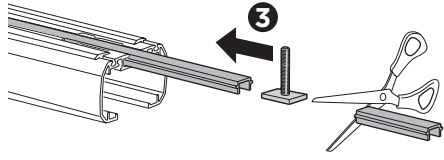
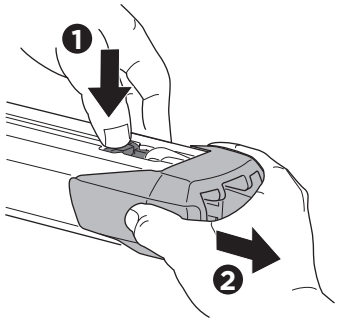





WingBar

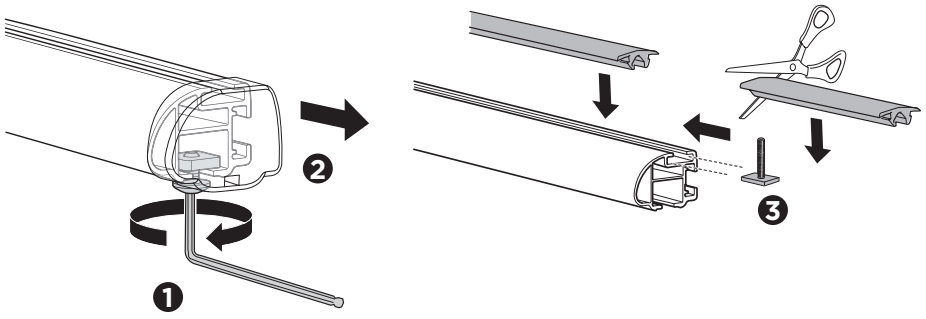



SlideBar

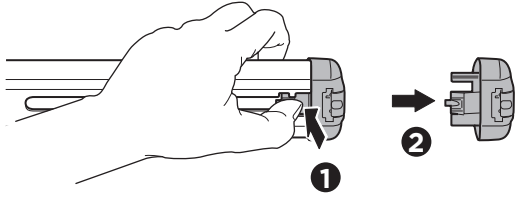
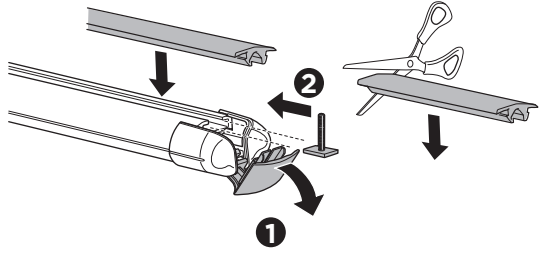


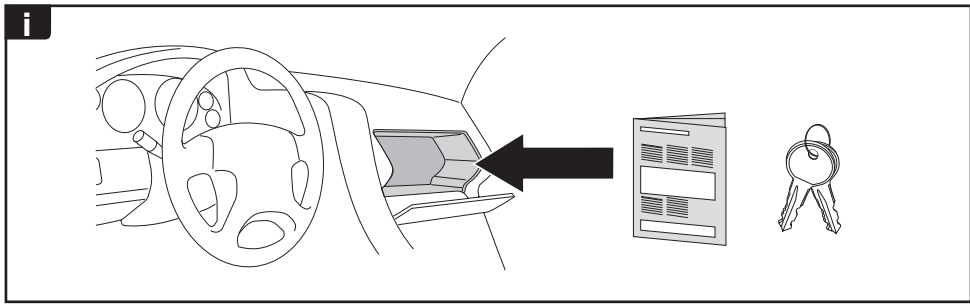
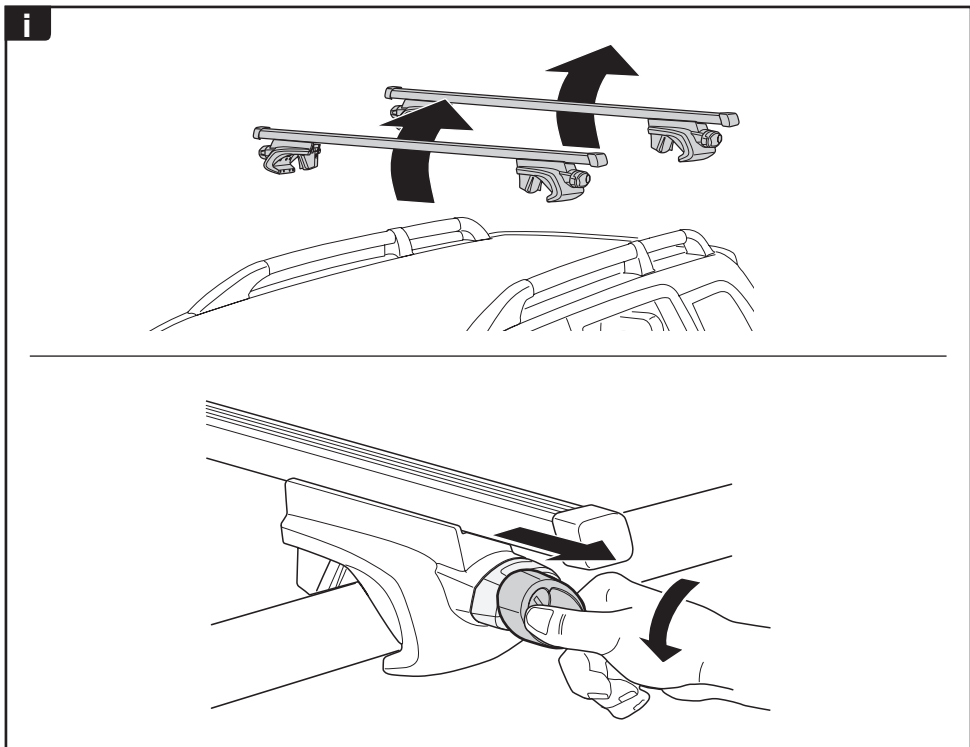



ProBar

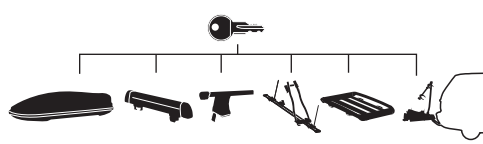



AeroBar





Thule One-Key System



- 544 (x4)
- 596 (x6)
- 588 (x8)
- 452 (x12)