

Lockable bike carrier 530 FreeRide

530/530000

5 års garanti
years warranty
Jahre Garantie
ans de garantie

Components:

Wheel tray with ready-fitted frame holder arms and wheel holders. Two frame protectors, locking handles and mounting kit.

Materials:

Frame holder arms and tubes for the wheel tray made of galvanized steel with polyester coating. Plastic parts of PE, PP, PA or TEEE plastic.
Length: 1470 mm
Width: 220 mm

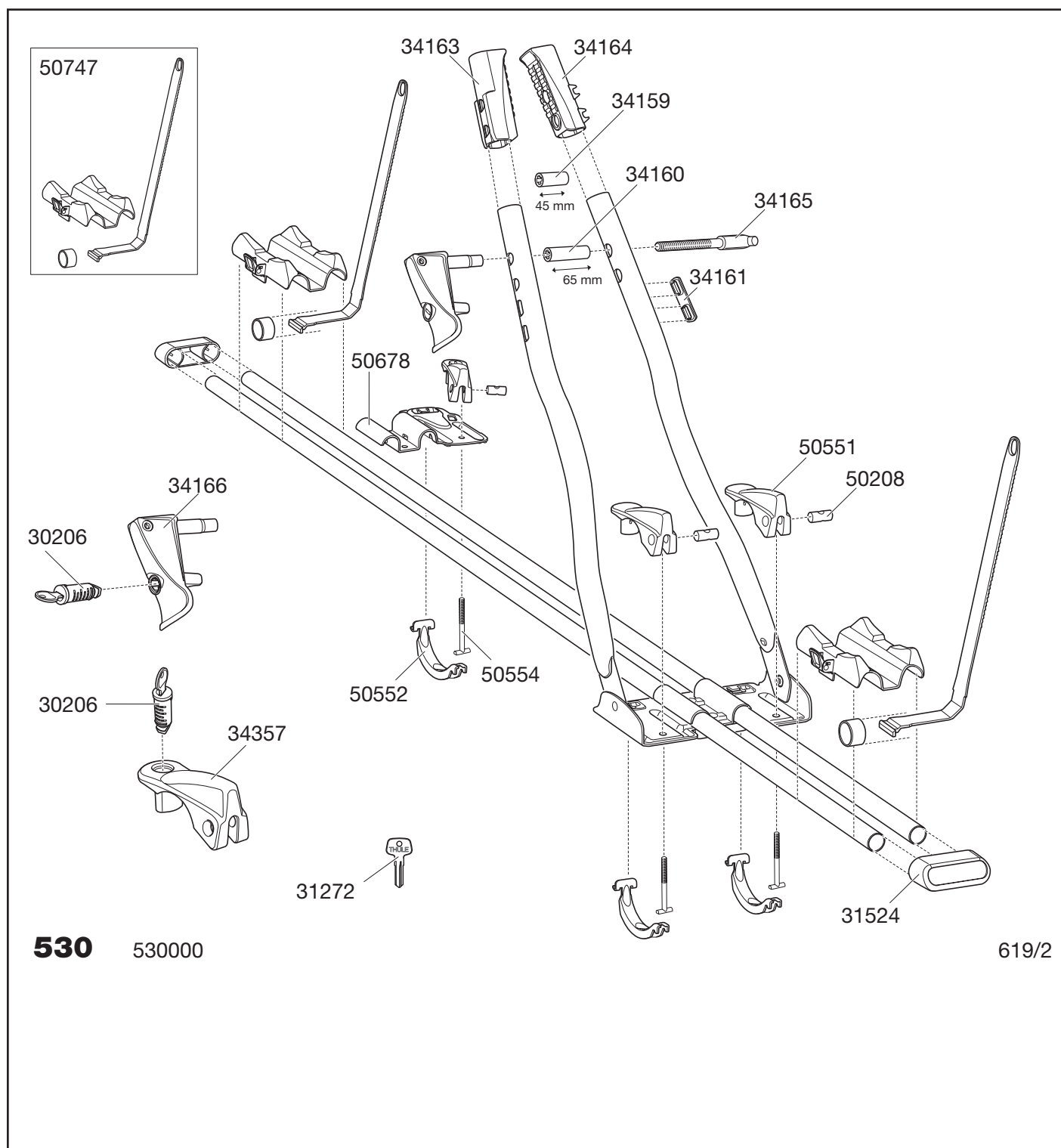
Mounting, etc.:

The bike carrier should be mounted on the load carrier in accordance with the instructions accompanying the product. The bike is easy to load - place it with the wheels in the wheel tray, slope the frame towards to the frame protector and secure the frame holder around the frame. Secure the wheels by means of the wheel-holder straps.



- For transporting all types of bikes: mountain bikes, racing bikes and standard bikes.
- Frame holder for round tube frames with tube diameters from 22 mm to 70 mm. Oval tube frames up to 65 x 80 mm.
- The frame holder is provided with an extra-soft surface to prevent damage to the bike paintwork and cables.
- Adjustable wheel holders that can handle tyres ranging from 1 1/4" to 3".
- Can be fitted either from the right side or the left side. Especially useful if there is more than one bike holder.
- Suitable for both square and T-track section load bars up to 56 mm wide.
- Thule One Key System.
- City crash and TÜV approved.

Lockable bike carrier 530 FreeRide



Individual box

Pallet

Product	EAN	Kg	L/W/H in cm
530	7313020023403	3,6	148/22/6

Product	Qty/kg	L/W/H in cm
530	51/198	152/80/118