

Thule Ranger 6011

6011/601100

5 *års garanti*
years warranty
Jahre Garantie
ans de garantie

Technical approval:
TÜV/GS, City-crash approved.

Materials:
Water resistant material with taped seams. Water resistant zipper with integrated lock. ABS side panels and base ribs.

Colour:
Black / silver.

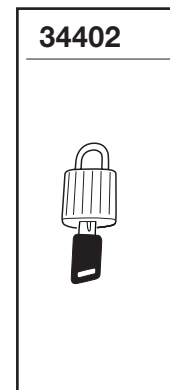
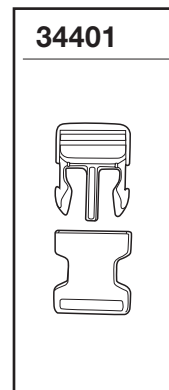
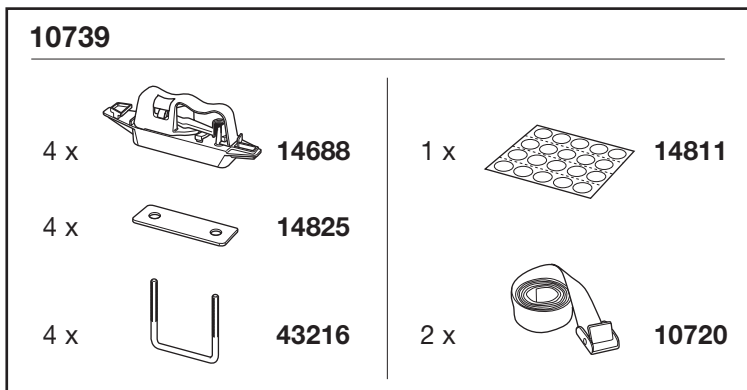
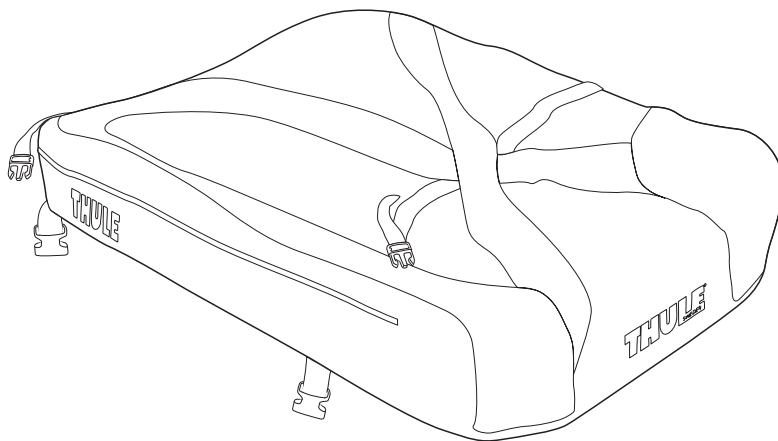
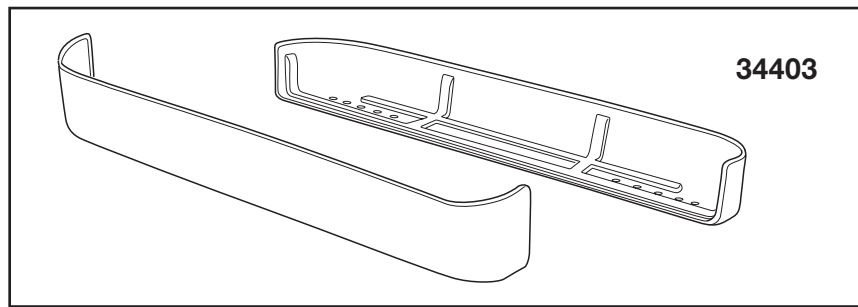
Assembly:
Easy-Snap quick mounting system, allows mounting on bars max. 80 mm wide and 35 mm high. Distance roof bars 540 - 900 mm. Storage in outer nylon bag.

Load:
Maximum load: 50 kg. Observe vehicle manufacturers instructions and maximum roof load.



- Foldable for simple storage.
- Outer size 110 x 80 x 40 cm
- 340 litres loading volume
- Loading capacity max. 50 kg
- Easy-Snap mounting system
- Secure 4 point strapping.
- TÜV / City-crash approved.

Thule Ranger 6011



6011 601100

601/1

Individual packs

Pallet

Product	EAN	Kg	L/W/H in cm
6011	4002253000352	8	120/26,5/24

Product	Qty/kg	L/W/H in cm
6011	12/100	120/80/113