

**9105**/910500**9106**/910600**5** *års garanti*  
*years warranty*  
*Jahre Garantie*  
*ans de garantie***Components:**

Upper tubular frame with two associated sheet steel hooks. Lower tubular frame with two adjustable leg hooks. Eccentric handle for clamping in place. Bike frame holder and quick release wheelholder (adjustable) for securing bikes.

**Materials:**

Powder-coated tubes of galvanized steel. Hooks of pebax-treated steel.

**Mounting, etc.:**

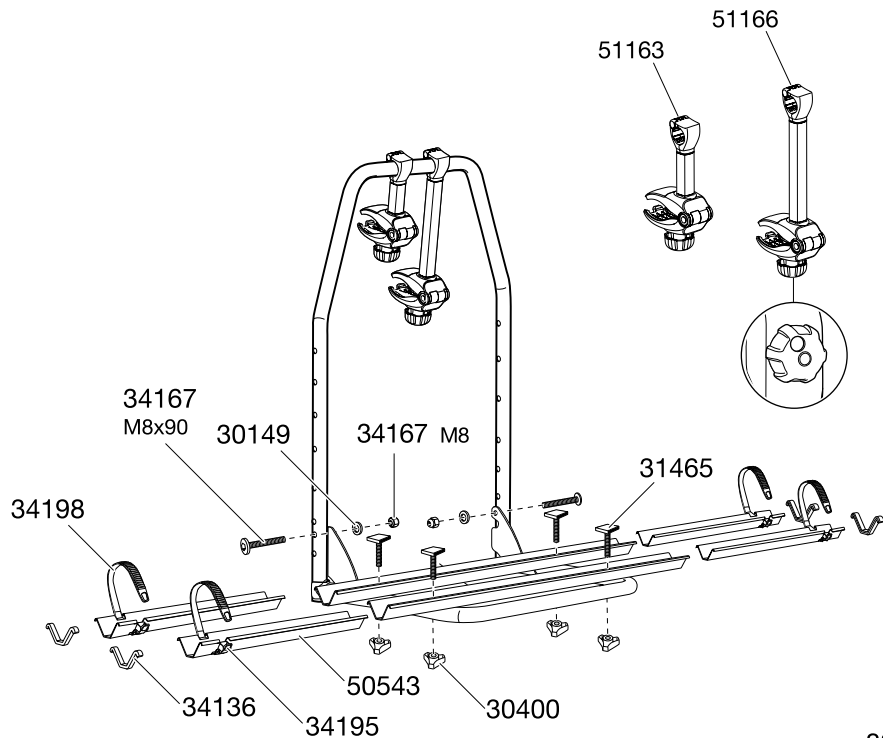
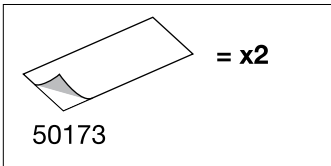
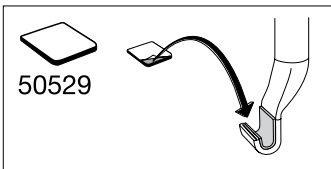
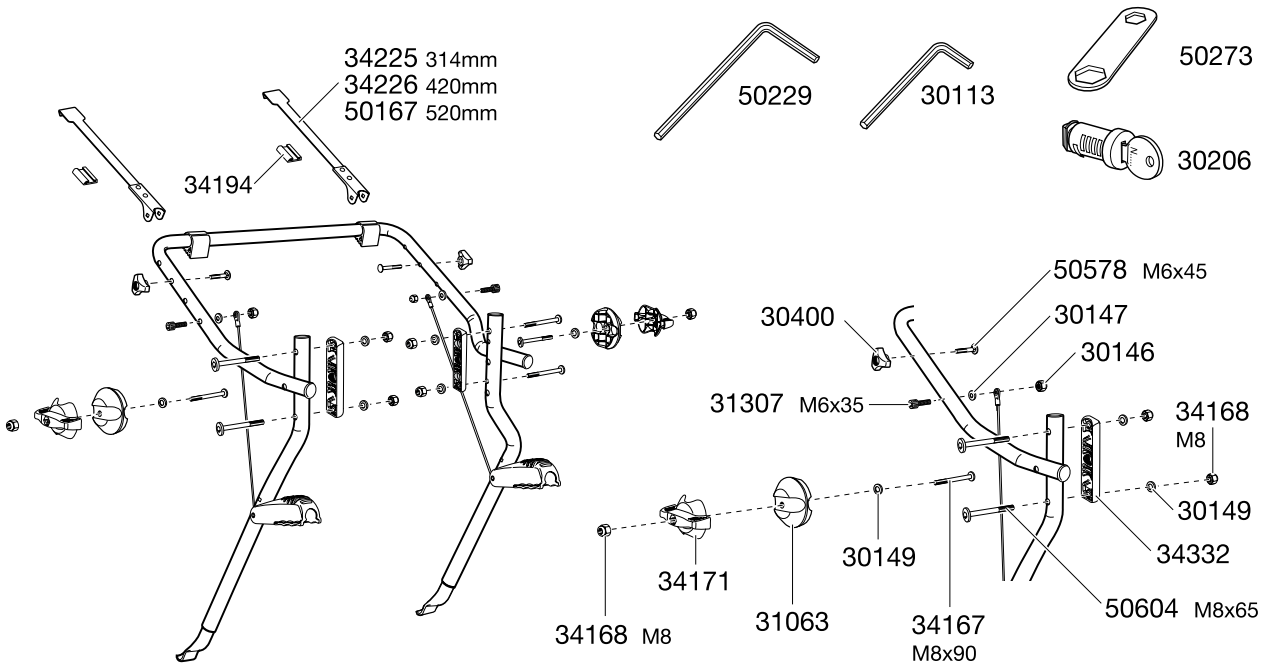
Assemble the product according to the enclosed mounting instruction. Easy to use, three step mounting.

1. Hook in the top hooks (see Thule Roof Rack guide).
2. Hook in the bottom hooks (adjustment by screw thread).
3. Clamp in place using the eccentric handle.

**Accessories:**

3rd brake light 9902  
Adapter 9110, 9111, 9112, 9113 (see Thule Roof Rack guide)  
Locking knobs (2 pcs) 526

- Can carry up to two bikes.
- The position of the bikes does not obscure the rear lamps or reg. plate.
- The product has TÜV approval, which enable you to use the carrier anywhere in Europe. For cars dated 1998 or later, the third brake light must be duplicated in accordance with European law and TÜV.
- Bike frame holder is suitable for 22-70 mm diameter bike frames. Outer bike holder is lockable to bike. (Inner bike holder lockable with acc. 526).
- Patented clamp-mounting for simple securing to the rear door.
- Suitable for hatchback and estate cars, see Thule Roof Rack guide.
- Once the carrier has been pre-set, it is simple to fit back onto the car. Adjustment first time only.
- Not suitable for cars with non-standard spoilers and plastic panels.
- Patented Thule design.



**9105** 910501  
**9106** 910601

823/2

Individual packaging

Pallet

| Product     | EAN           | Kg   | L/W/H in cm |
|-------------|---------------|------|-------------|
| <b>9105</b> | 7313020023656 | 13,2 | 86/54/14    |
| <b>9106</b> | 7313020023663 | 14,7 | 86/54/14    |

| Product     | Qty/kg | L/W/H in cm |
|-------------|--------|-------------|
| <b>9105</b> | 18/253 | 120/100/120 |
| <b>9106</b> | 18/280 | 120/100/120 |