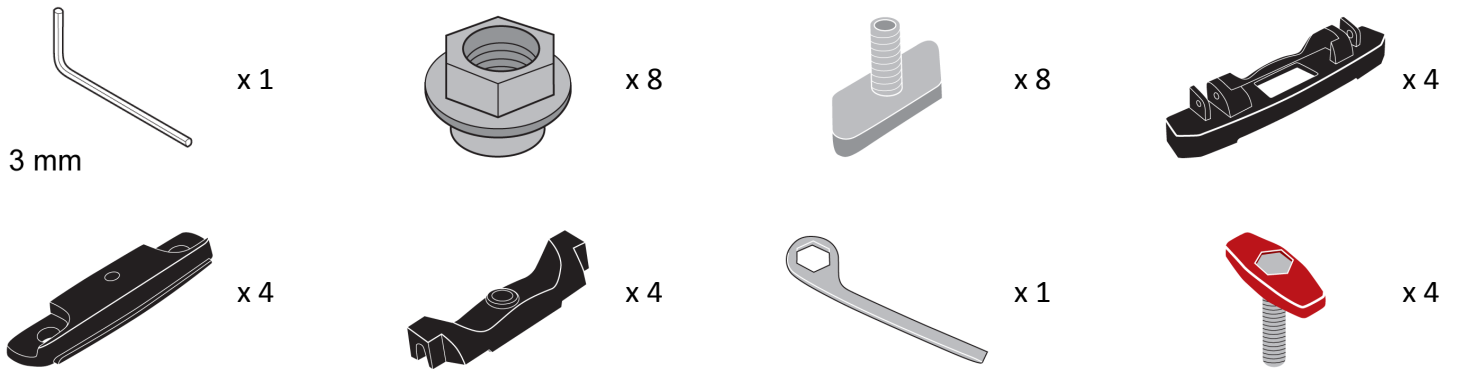
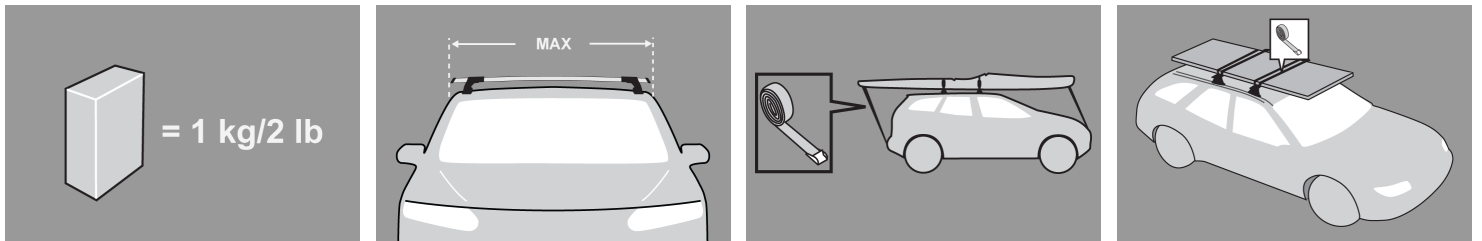


**GB** Fitting Instruction for Accessory





**MAX kgs**

🚩 **W/P WHD**

**MAX kgs**

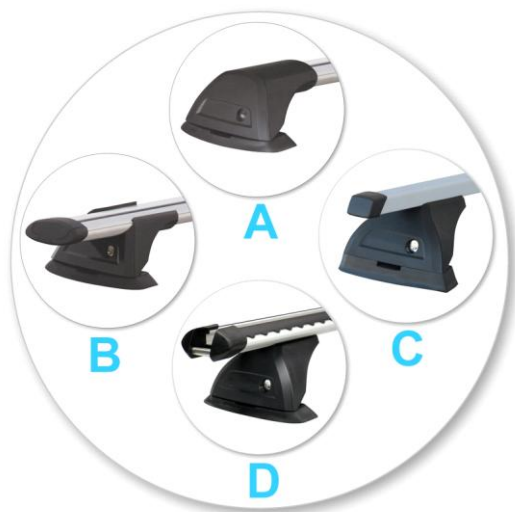
🚩 **W/P WHD**

Chevrolet							
Trailblazer , 5dr SUV	02- 09	US	75	75			
Chrysler							
Town and Country , 5dr MPV	01- 07	US	75	75			
Daihatsu							
Terios , 5dr SUV	97- 05	EU	75	90	Terios , 5dr SUV	98- 03	ZA 75 90
Terios , 5dr SUV	Jul 97-Mar 03	AU	75	90			
Dodge							
Grand Caravan , 5dr MPV	08-+	US	75	75			
Ford							
Escape , 5dr SUV	01- 07	EU	44	44	Escape , 5dr SUV	Feb 01- 08	AU 44 44
Escape , 5dr SUV	Mar 01- 08	NZ	44	44	Expedition , 5dr SUV	03- 06	US 75 75
Expedition , 5dr SUV	97- 02	US	75	75	Explorer , 3dr SUV	95- 00	US 75 75
Explorer , 5dr SUV	95- 00	US	75	75	Explorer , 5dr SUV	95- 01	EU 75 75
Explorer , 5dr SUV	95- 01	NZ	75	75	Explorer , 5dr SUV	95- 01	AU 75 75
Maverick , 5dr SUV	01- 07	EU	44	44			
GMC							
Envoy , 5dr SUV	02- 09	US	75	75			
Great Wall							
X240 , 5dr SUV	Nov 09-+	NZ	50	50	X240 , 5dr SUV	Oct 09-+	AU 50 50
Land Rover							
Discovery , 5dr SUV	04- 09	EU	75	100	Discovery 3, 5dr SUV	Nov 04- 09	NZ 75 100
Discovery 3, 5dr SUV	Nov 04- 09	AU	75	100	Discovery 4, 5dr SUV	09-+	NZ 75 100
Discovery 4, 5dr SUV	09-+	EU	75	100	Discovery 4, 5dr SUV	09-+	ZA 75 100
Discovery 4, 5dr SUV	09-+	AU	75	100	LR3 , 5dr SUV	04- 09	US 75 100
LR4 , 5dr SUV	09-+	US	75	100			
Nissan							
Terrano II, 5dr SUV	96- 04	EU	75	80	Terrano Regulus, 5dr SUV	96- 03	AU 75 80
Terrano Regulus, 5dr SUV	96- 03	NZ	75	80			
Porsche							
Cayenne , 5dr SUV	02- 10	AU	75	100	Cayenne , 5dr SUV	02- 10	ZA 75 100
Cayenne , 5dr SUV	02- 10	US	75	100	Cayenne , 5dr SUV	02- 10	NZ 75 100
Cayenne , 5dr SUV	02- 10	EU	75	100			
Toyota							
4 Runner , 5dr SUV	96- 02	US	75	75	4 Runner , 5dr SUV	96- 03	EU 75 75
Volkswagen							
Touareg , 5dr SUV	02-+	EU	75	100	Touareg , 5dr SUV	03- 07	US 75 100
Touareg , 5dr SUV	03-+	ZA	75	100	Touareg , 5dr SUV	03-+	AU 75 100
Touareg , 5dr SUV	03-+	NZ	75	100			

## First Time Installation



- Remove parts from inside the package and check. Contact your dealer if any parts are missing or damaged.



- This kit fits type A, B, C and D.
- These instructions show type A crossbar fitted. They also apply to type B, C and D.



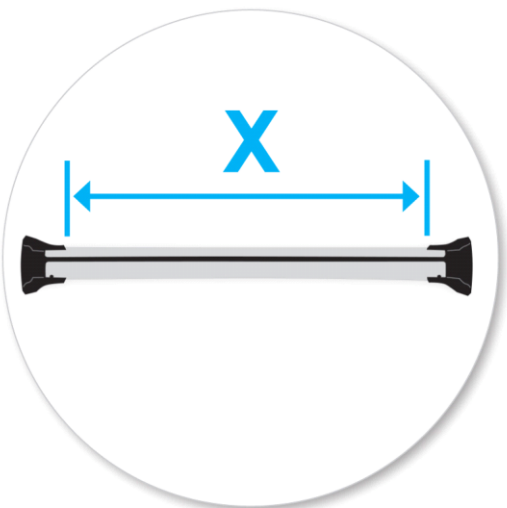
- Use keys to remove covers.



- Use hex screwdriver to reverse adjusting screw 10 turns.



- Press adjusting screw and pull crossbar legs out. Refer to the crossbar instructions for crossbar adjustment.
- Ensure each end of the crossbar is adjusted equally.



- Set bars to length (refer to the crossbar instructions for crossbar adjustment).
- Please check the rear of this manual for information relating specifically to your vehicle.



- Tighten adjusting screw to 5 Nm (3.7 ft lb).



- Remove plastic clamp block by gripping bar leg with fingers and push firmly with thumbs until clamp block drops out behind leg.



- Remove both pins from each leg. Use tapered end of spanner located inside left hand cover to assist.



- Detach foot from leg. Store loose parts in a safe place.
- Repeat for all legs.



- Assemble foot from kit into leg.



- Insert pins through foot into leg.



- Select plastic internal block (from fitting kit) and insert into foot.
- Repeat for all legs.

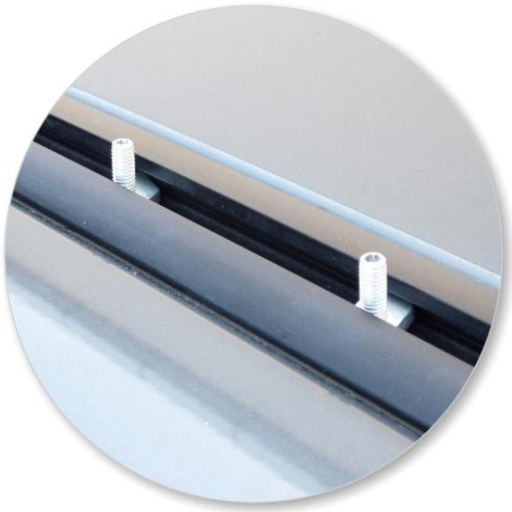


- Place T-bolt into track by either inserting it from the top or sliding in from the end.



- Rotate bolt clockwise so it engages in place in the centre of track.





- Use 4 T-bolts per track
- Repeat for both tracks.

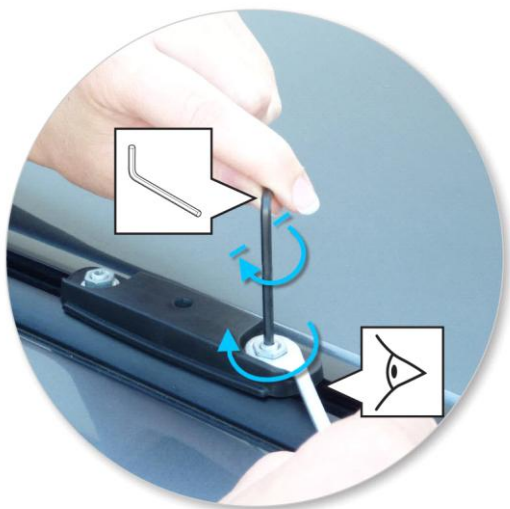


- Place track pad over T-bolt



- Thread the nut over the T-bolt by hand.
- Repeat for all four positions.





- Use the 3mm (1/8") Hex Key to hold the T-bolt in a stationary position and ensure the T-bolt has correct engagement.
- Using the 10mm (3/8") spanner supplied, tighten the nut to 5Nm (3.7 ft lb).
- Tighten with provided 10mm (3/8") spanner.



- Place crossbars over mounting assembly on tracks.



- Tighten the red plastic knob.



- Ensure the red plastic knob is in the position shown when fully tightened.
- Repeat for all four positions.



- Check crossbar is securely attached to the vehicle.
- Use keys to fit and lock covers

**CAUTION:**  
**Recheck all fasteners immediately after a load is applied to the crossbars.**  
**Regularly check screws are tight.**

## Maintenance

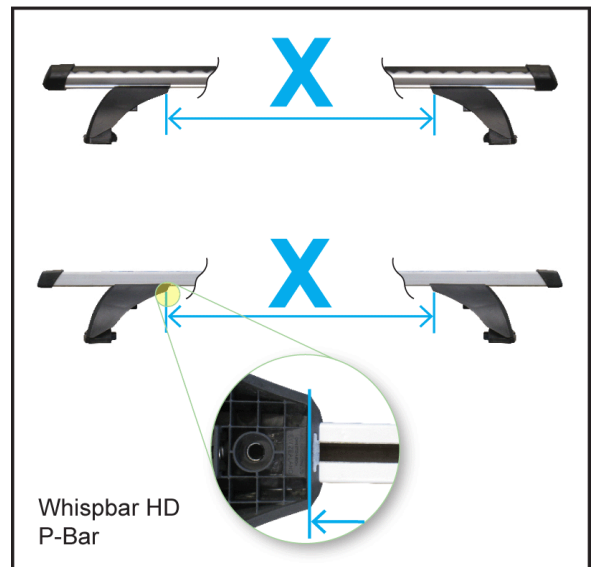
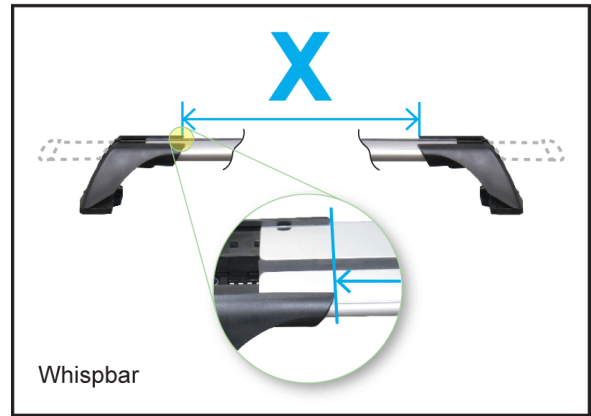
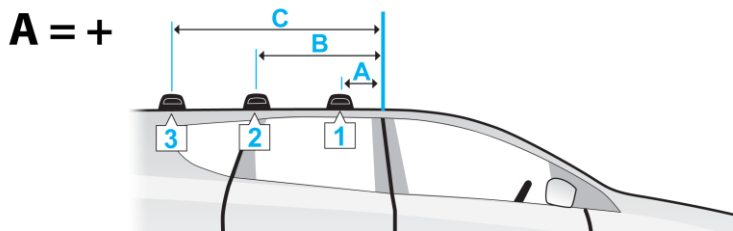
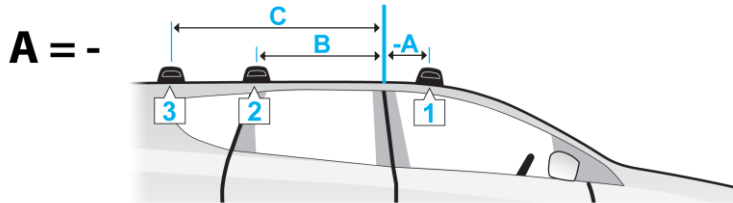
- Clean the car roof and surfaces of the product that will be in contact with the car roof.
- Follow the fitting instructions for fitting the product to your vehicle. Make sure all steps are carried out in order.
- Set crossbars a minimum distance of 700mm (27 1/2") apart where no other distance is specified in the fitting instructions. This is especially important when carrying long loads.
- Check unit is securely attached whenever you refit it to the vehicle. If the unit feels loose, refer to the fitting instructions and readjust.
- Some glass/panoramic roofs and radio antennae may not be able to be used when the product is fitted.
- Do not modify this product.
- Refer to the maximum permitted load capacity specified in the fitting instructions. Do not exceed the vehicle manufacturers roof load rating if it is lower than the maximum load capacity specified in the fitting instructions.
- Loads should not overhang the sides of the product and be evenly distributed with the lowest possible centre of gravity.
- Long loads should be secured with non-elastic straps to the front and rear of the vehicle.
- Objects with pointed ends (e.g. ski poles) should be carried with the pointed ends to the rear of the vehicle.
- Remove all loose or removable objects from the load prior to loading.
- Make sure all loads are securely fastened with non-elastic straps. Check regularly during longer journeys.

- A loaded roof rack system can alter the performance of your vehicle. Be especially aware of the effects of side winds, changing of direction, and braking performance. Avoid rapid acceleration and deceleration. Drive carefully.
- Note that the total height of the vehicle increases when upright loads are carried.
- Products should be locked during transport if they have locks fitted.
- Check and replace worn out or defective parts.
- Keep the product clean and maintained.
- Never drive into a car wash with the roof rack system fitted.
- Lubricate locks and adjusting screws at regular intervals.
- Remove the products from the vehicle when not in use. Make sure all loose parts are stored safely.

- 
- Hubco Automotive Ltd  
P. O. Box 11017  
Christchurch  
NEW ZEALAND

[www.whispbar.com](http://www.whispbar.com)  
[www.whispbar.com.au](http://www.whispbar.com.au)  
[www.whispbar.co.nz](http://www.whispbar.co.nz)  
[www.whispbar.co.uk](http://www.whispbar.co.uk)  
[www.whispbar.co.za](http://www.whispbar.co.za)  
[www.whispbar.eu](http://www.whispbar.eu)  
[www.whispbar.ca](http://www.whispbar.ca)

---



	A	B	C	X		
				1	2	3
Chevrolet Trailblazer , 5dr SUV 02- 09 (US)	-	1320mm	-	868mm	868mm	-
	-	51 15/16ths"	-	34 3/16ths"	34 3/16ths"	-
Chrysler Town and Country , 5dr MPV 01- 07 (US)	-	-	-	866mm	866mm	-
	-	-	-	34 1/8"	34 1/8"	-
Daihatsu Terios , 5dr SUV 97- 05 (EU)	-	-	-	-	-	-
Daihatsu Terios , 5dr SUV 98- 03 (ZA)	-	-	-	-	-	-
Daihatsu Terios , 5dr SUV Jul 97-Mar 03 (AU)	-	-	-	-	-	-
Dodge Grand Caravan , 5dr MPV 08-+ (US)	370mm	1070mm	-	930mm	930mm	-
	14 9/16ths"	42 1/8"	-	36 5/8"	36 5/8"	-
Ford Escape , 5dr SUV 01- 07 (EU)	-	-	-	772mm	772mm	-
	-	-	-	30 3/8"	30 3/8"	-
Ford Escape , 5dr SUV Feb 01- 08 (AU)	-	-	-	772mm	772mm	-
	-	-	-	30 3/8"	30 3/8"	-
Ford Escape , 5dr SUV Mar 01- 08 (NZ)	-	-	-	772mm	772mm	-
	-	-	-	30 3/8"	30 3/8"	-
Ford Expedition , 5dr SUV 03- 06 (US)	-	-	-	845mm	845mm	-
	-	-	-	33 1/4"	33 1/4"	-
Ford Expedition , 5dr SUV 97- 02 (US)	40mm	1720mm	-	853mm	853mm	-
	1 9/16ths"	67 11/16ths"	-	33 9/16ths"	33 9/16ths"	-
Ford Explorer , 3dr SUV 95- 00 (US)	150mm	1260mm	-	798mm	798mm	-
	5 7/8"	49 5/8"	-	31 7/16ths"	31 7/16ths"	-
Ford Explorer , 5dr SUV 95- 00 (US)	120mm	1540mm	-	798mm	798mm	-
	4 3/4"	60 5/8"	-	31 7/16ths"	31 7/16ths"	-
Ford Explorer , 5dr SUV 95- 01 (AU)	120mm	1540mm	-	798mm	798mm	-
	4 3/4"	60 5/8"	-	31 7/16ths"	31 7/16ths"	-
Ford Explorer , 5dr SUV 95- 01 (EU)	120mm	1540mm	-	798mm	798mm	-
	4 3/4"	60 5/8"	-	31 7/16ths"	31 7/16ths"	-
Ford Explorer , 5dr SUV 95- 01 (NZ)	120mm	1540mm	-	798mm	798mm	-
	4 3/4"	60 5/8"	-	31 7/16ths"	31 7/16ths"	-
Ford Maverick , 5dr SUV 01- 07 (EU)	-	-	-	772mm	772mm	-
	-	-	-	30 3/8"	30 3/8"	-

GMC Envoy , 5dr SUV 02- 09 (US)	100mm	1660mm	-	814mm	814mm	-
	3 15/16ths"	65 3/8"	-	32 1/16ths"	32 1/16ths"	-
GMC Envoy , 5dr SUV 02- 09 (US)	100mm	1600mm	-	814mm	814mm	-
	3 15/16ths"	63 "	-	32 1/16ths"	32 1/16ths"	-
Great Wall X240 , 5dr SUV Nov 09+ (NZ)	200mm	1000mm	-	825mm	780mm	-
	7 7/8"	39 3/8"	-	32 1/2"	30 11/16ths"	-
Great Wall X240 , 5dr SUV Oct 09+ (AU)	200mm	1000mm	-	825mm	780mm	-
	7 7/8"	39 3/8"	-	32 1/2"	30 11/16ths"	-
Land Rover Discovery , 5dr SUV 04- 09 (EU)	220mm	1640mm	-	935mm	875mm	-
	8 11/16ths"	64 9/16ths"	-	36 13/16ths"	34 7/16ths"	-
Land Rover Discovery 3, 5dr SUV Nov 04- 09 (AU)	220mm	1640mm	-	935mm	875mm	-
	8 11/16ths"	64 9/16ths"	-	36 13/16ths"	34 7/16ths"	-
Land Rover Discovery 3, 5dr SUV Nov 04- 09 (NZ)	220mm	1640mm	-	935mm	875mm	-
	8 11/16ths"	64 9/16ths"	-	36 13/16ths"	34 7/16ths"	-
Land Rover Discovery 4, 5dr SUV 09+ (AU)	220mm	1640mm	-	935mm	875mm	-
	8 11/16ths"	64 9/16ths"	-	36 13/16ths"	34 7/16ths"	-
Land Rover Discovery 4, 5dr SUV 09+ (EU)	220mm	1640mm	-	935mm	875mm	-
	8 11/16ths"	64 9/16ths"	-	36 13/16ths"	34 7/16ths"	-
Land Rover Discovery 4, 5dr SUV 09+ (NZ)	220mm	1640mm	-	935mm	875mm	-
	8 11/16ths"	64 9/16ths"	-	36 13/16ths"	34 7/16ths"	-
Land Rover Discovery 4, 5dr SUV 09+ (ZA)	220mm	1640mm	-	935mm	875mm	-
	8 11/16ths"	64 9/16ths"	-	36 13/16ths"	34 7/16ths"	-
Land Rover LR3 , 5dr SUV 04- 09 (US)	220mm	1640mm	-	935mm	875mm	-
	8 11/16ths"	64 9/16ths"	-	36 13/16ths"	34 7/16ths"	-
Land Rover LR4 , 5dr SUV 09+ (US)	220mm	1640mm	-	935mm	875mm	-
	8 11/16ths"	64 9/16ths"	-	36 13/16ths"	34 7/16ths"	-
Nissan Terrano II, 5dr SUV 96- 04 (EU)	-	-	-	784mm	784mm	-
	-	-	-	30 7/8"	30 7/8"	-
Nissan Terrano II, 5dr SUV 96- 04 (EU)	-	-	-	774mm	774mm	-
	-	-	-	30 1/2"	30 1/2"	-
Nissan Terrano Regulus, 5dr SUV 96- 03 (AU)	-	-	-	784mm	784mm	-
	-	-	-	30 7/8"	30 7/8"	-
Nissan Terrano Regulus, 5dr SUV 96- 03 (AU)	-	-	-	774mm	774mm	-
	-	-	-	30 1/2"	30 1/2"	-
Nissan Terrano Regulus, 5dr SUV 96- 03 (NZ)	-	-	-	774mm	774mm	-
	-	-	-	30 1/2"	30 1/2"	-
Nissan Terrano Regulus, 5dr SUV 96- 03 (NZ)	-	-	-	784mm	784mm	-
	-	-	-	30 7/8"	30 7/8"	-
Porsche Cayenne , 5dr SUV 02- 10 (AU)	-	-	-	770mm	770mm	-
	-	-	-	30 5/16ths"	30 5/16ths"	-
Porsche Cayenne , 5dr SUV 02- 10 (EU)	-	-	-	770mm	770mm	-
	-	-	-	30 5/16ths"	30 5/16ths"	-
Porsche Cayenne , 5dr SUV 02- 10 (NZ)	-	-	-	770mm	770mm	-
	-	-	-	30 5/16ths"	30 5/16ths"	-
Porsche Cayenne , 5dr SUV 02- 10 (US)	-	-	-	770mm	770mm	-
	-	-	-	30 5/16ths"	30 5/16ths"	-
Porsche Cayenne , 5dr SUV 02- 10 (ZA)	-	-	-	770mm	770mm	-
	-	-	-	30 5/16ths"	30 5/16ths"	-
Toyota 4 Runner , 5dr SUV 96- 02 (US)	200mm	900mm	-	735mm	735mm	-
	7 7/8"	35 7/16ths"	-	28 15/16ths"	28 15/16ths"	-
Toyota 4 Runner , 5dr SUV 96- 03 (EU)	200mm	900mm	-	735mm	735mm	-
	7 7/8"	35 7/16ths"	-	28 15/16ths"	28 15/16ths"	-
Volkswagen Touareg , 5dr SUV 02+ (EU)	-	-	-	770mm	770mm	-
	-	-	-	30 5/16ths"	30 5/16ths"	-
Volkswagen Touareg , 5dr SUV 03- 07 (US)	-	-	-	770mm	770mm	-
	-	-	-	30 5/16ths"	30 5/16ths"	-
Volkswagen Touareg , 5dr SUV 03+ (AU)	-	-	-	770mm	770mm	-
	-	-	-	30 5/16ths"	30 5/16ths"	-
Volkswagen Touareg , 5dr SUV 03+ (NZ)	-	-	-	770mm	770mm	-
	-	-	-	30 5/16ths"	30 5/16ths"	-
Volkswagen Touareg , 5dr SUV 03+ (ZA)	-	-	-	770mm	770mm	-
	-	-	-	30 5/16ths"	30 5/16ths"	-