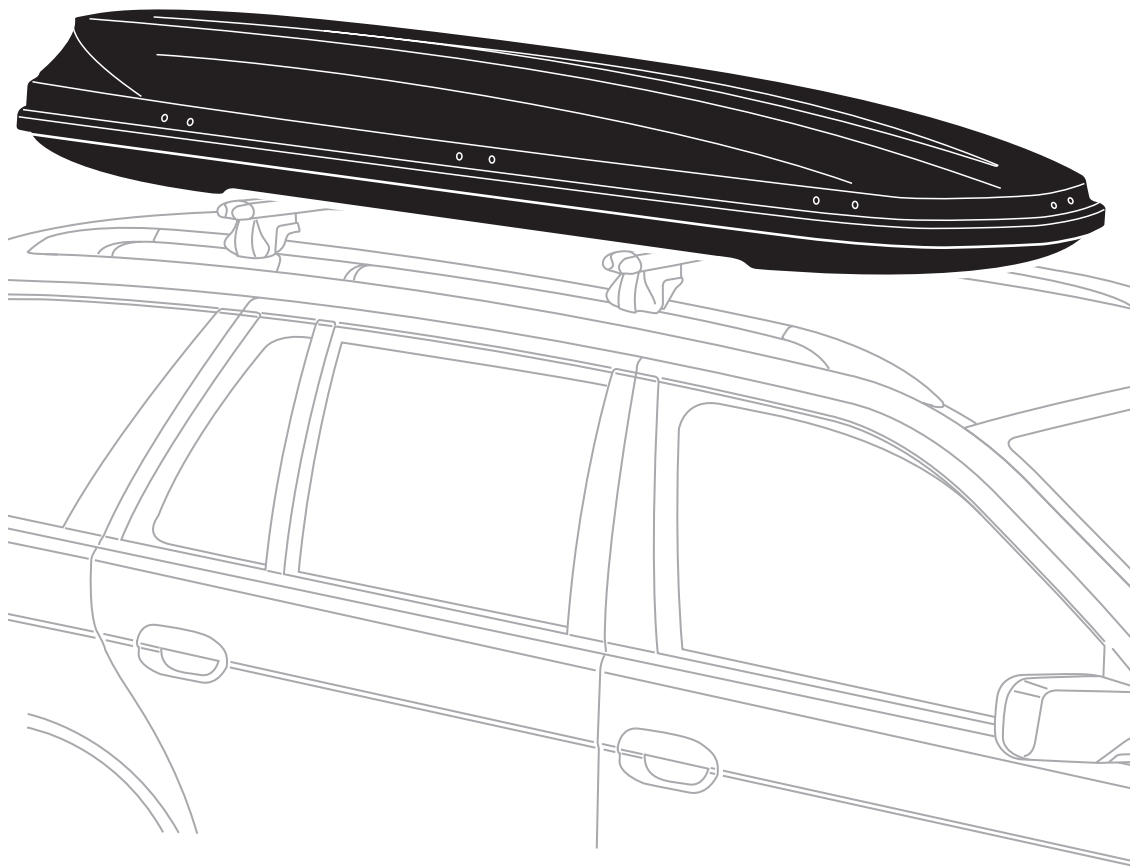
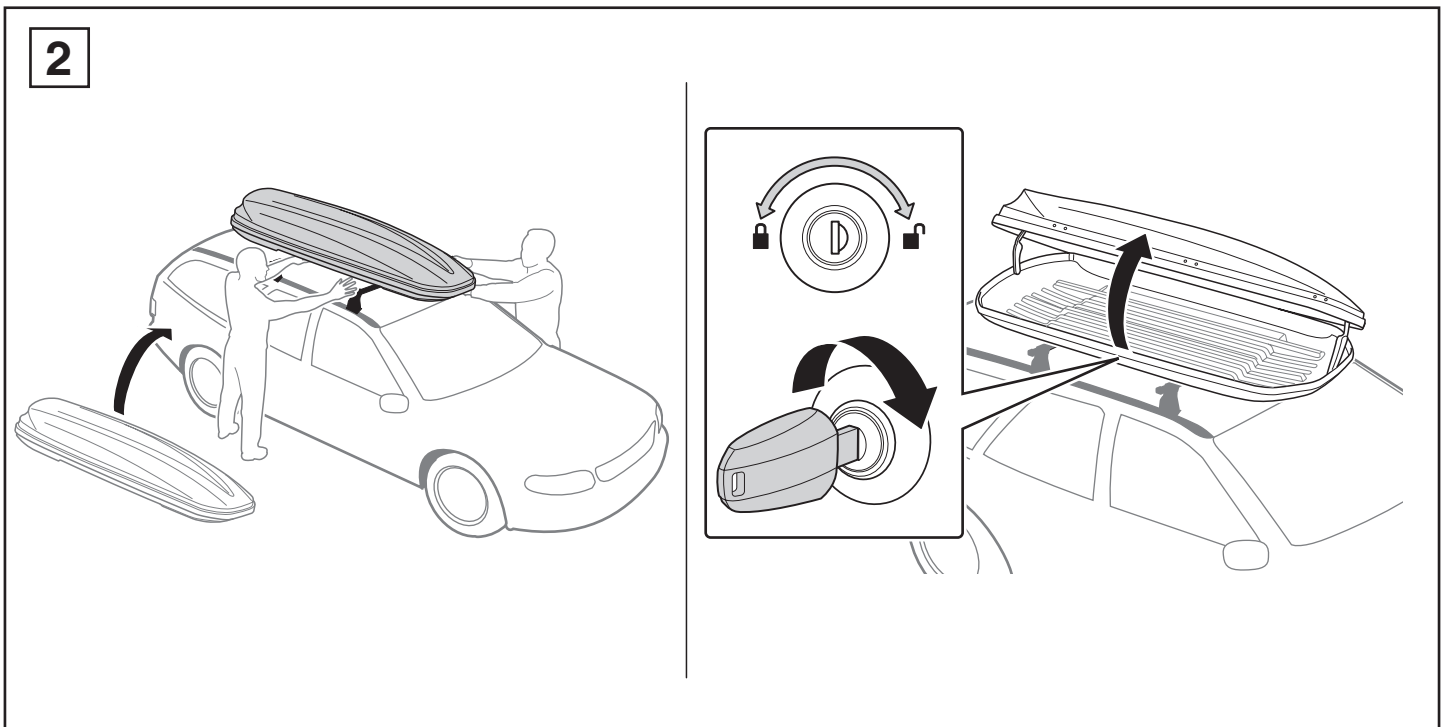
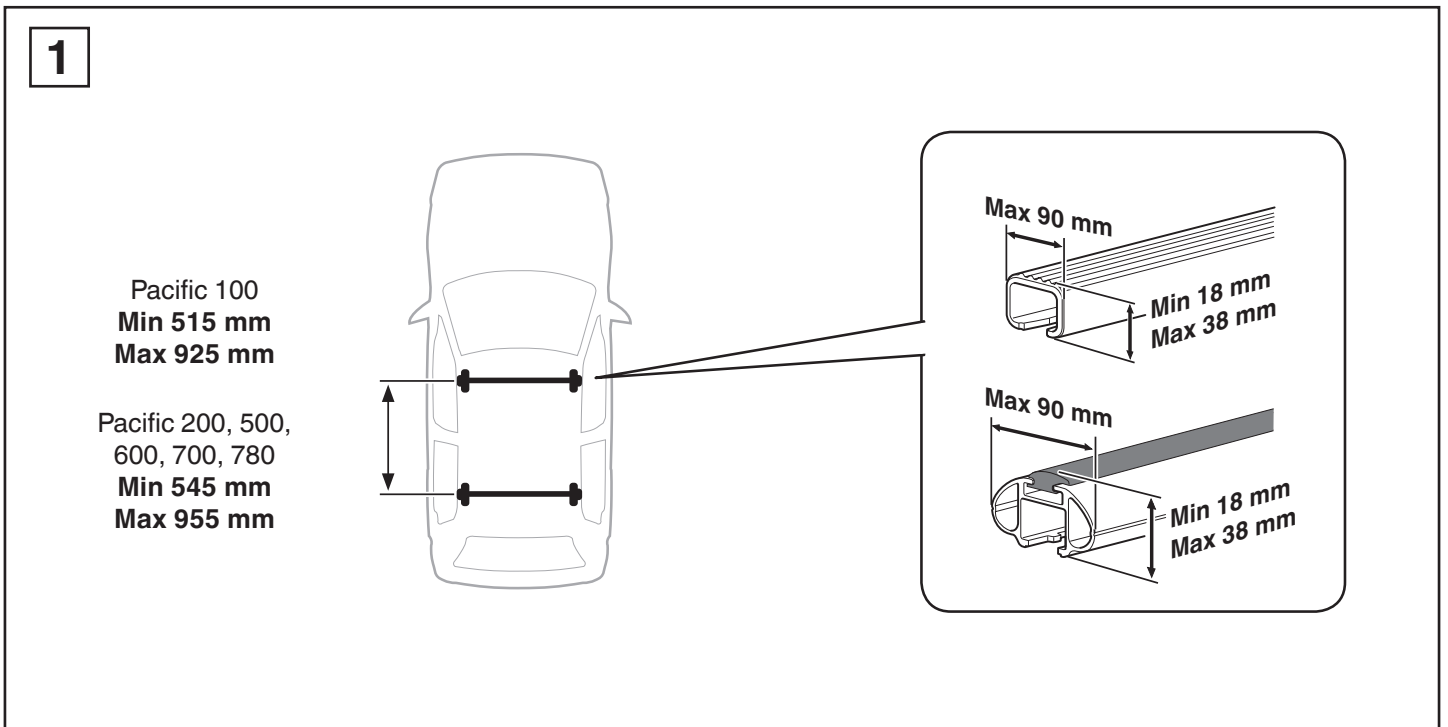
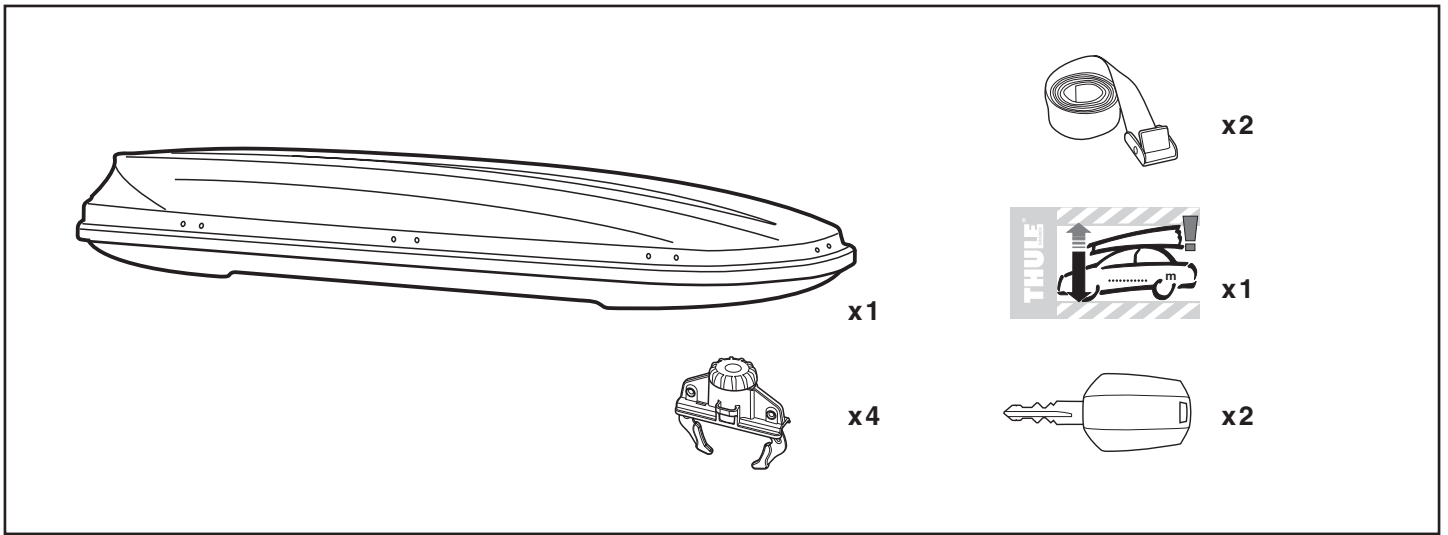


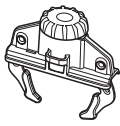
Instructions

Pacific

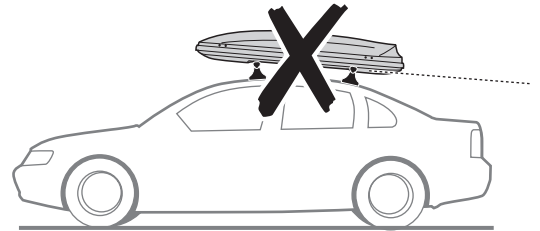
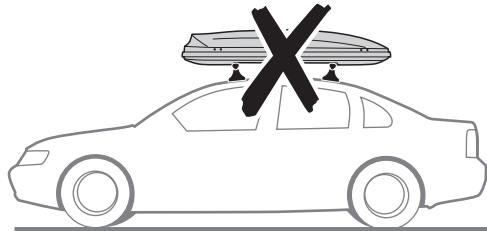
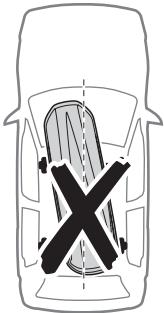
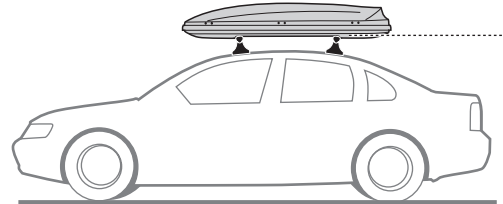
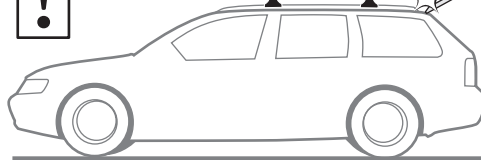
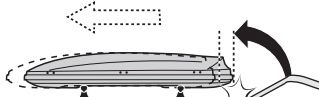
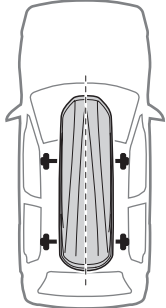
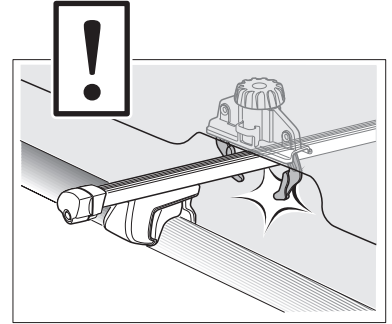
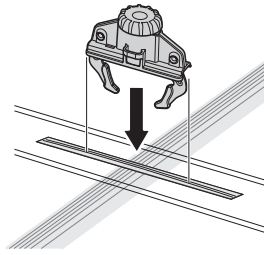
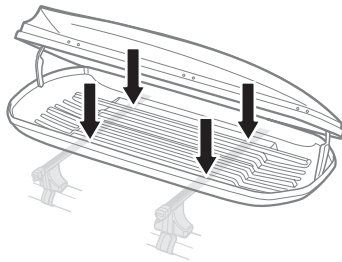




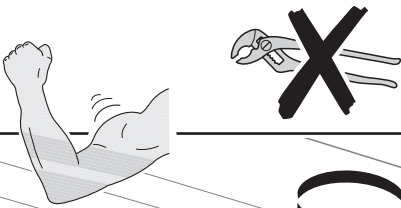
3



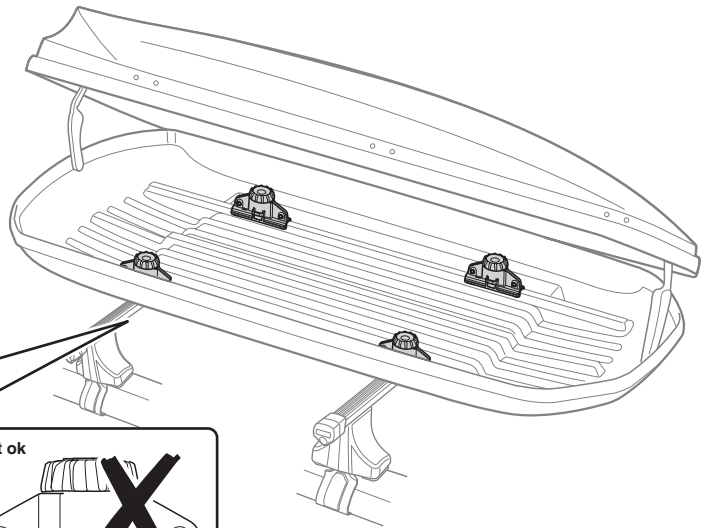
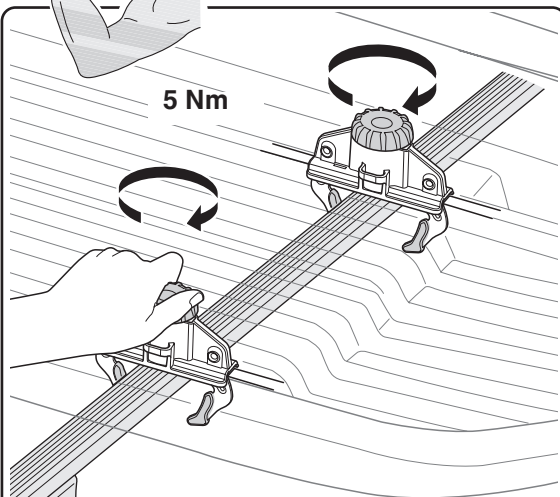
x4



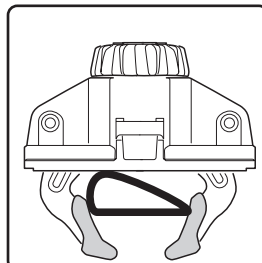
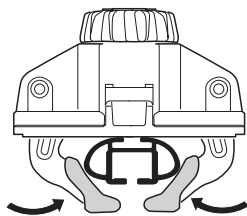
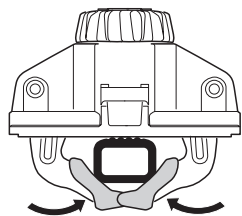
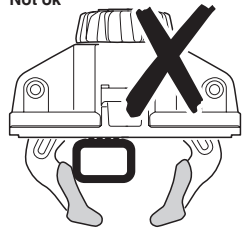
4



5 Nm



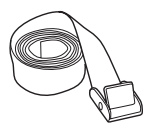
Not ok



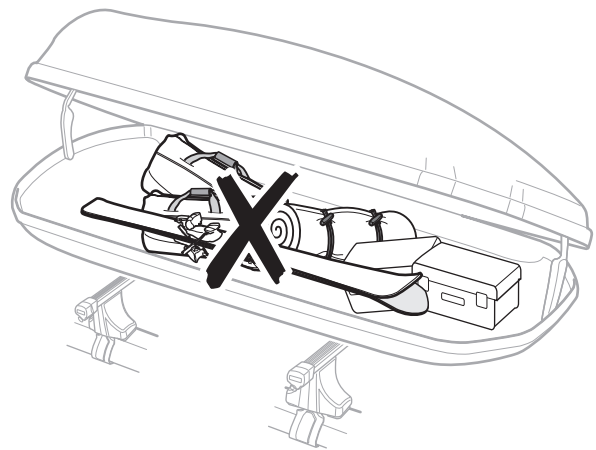
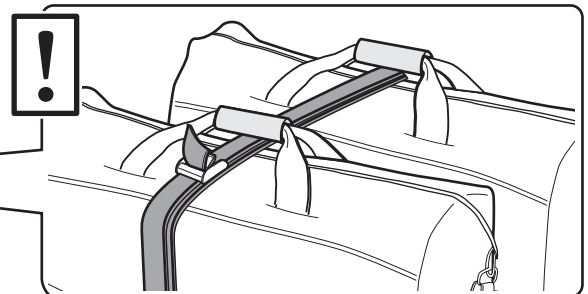
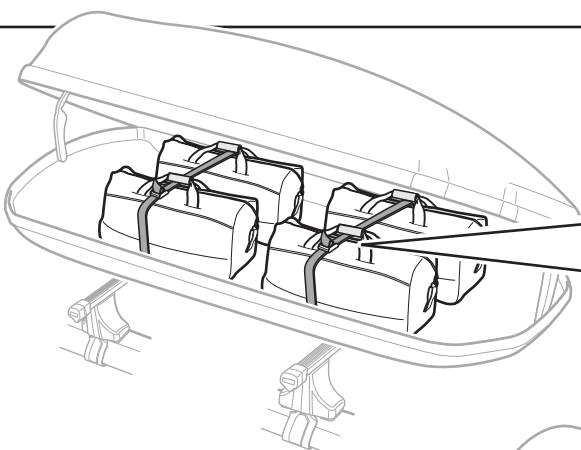
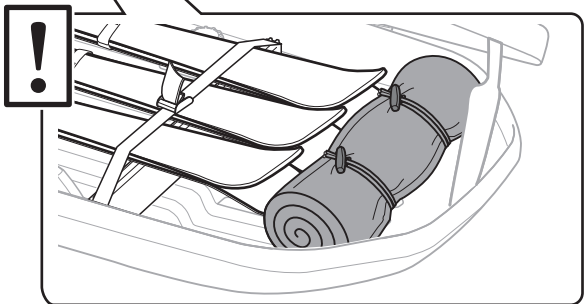
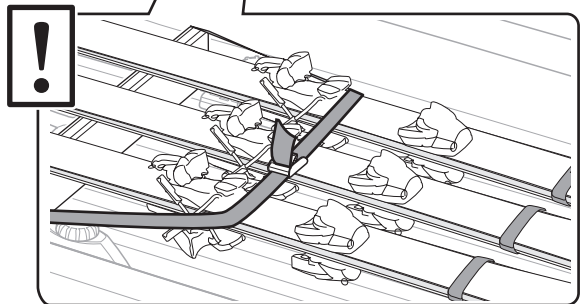
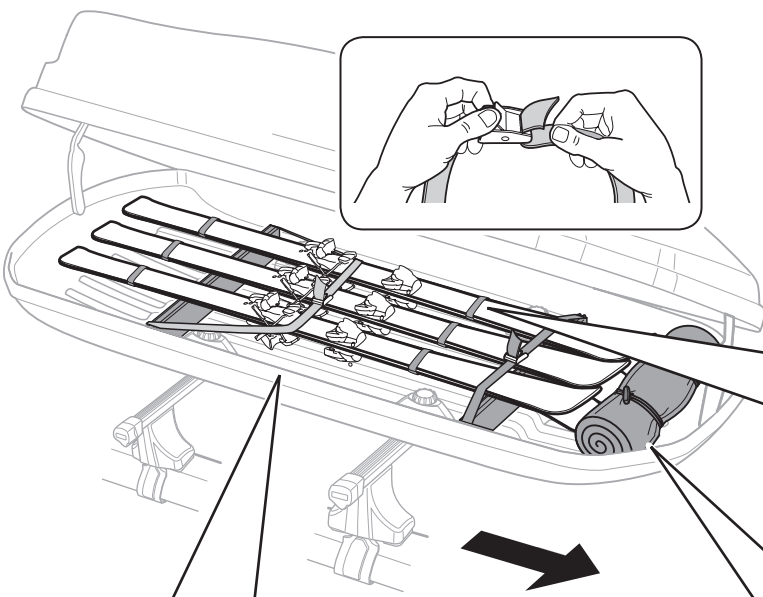
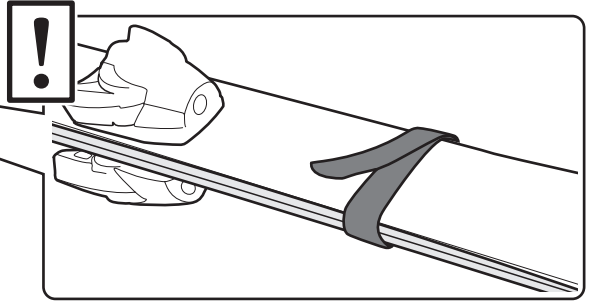
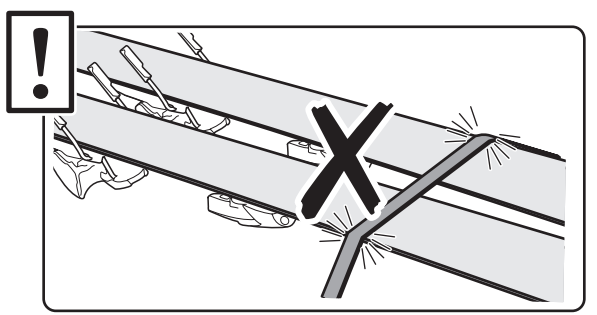
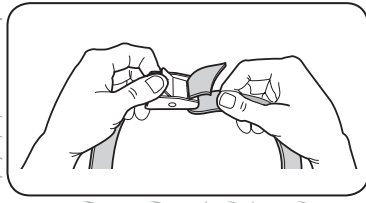
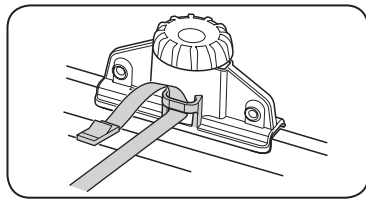
i Thule T-Nut Adapter

696400
697400

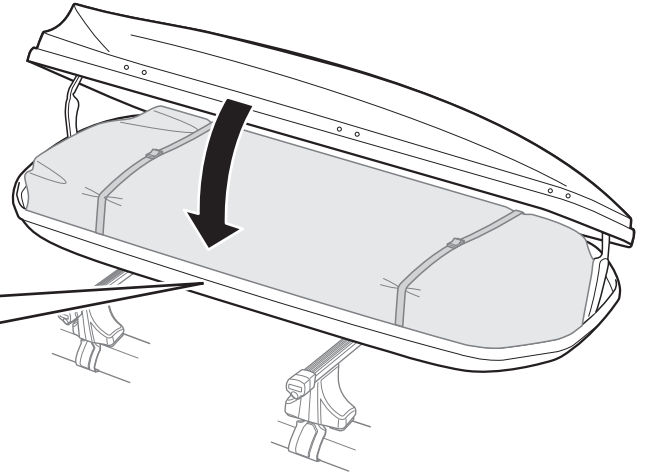
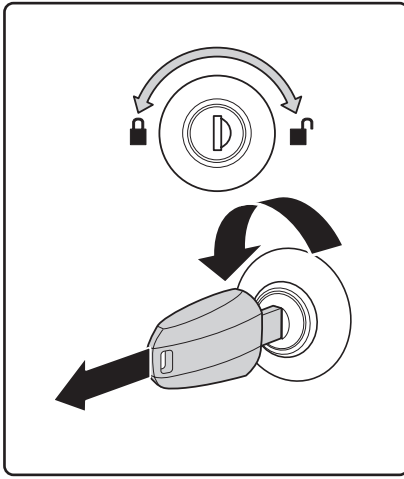
5



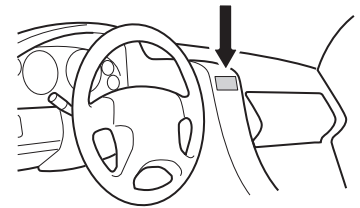
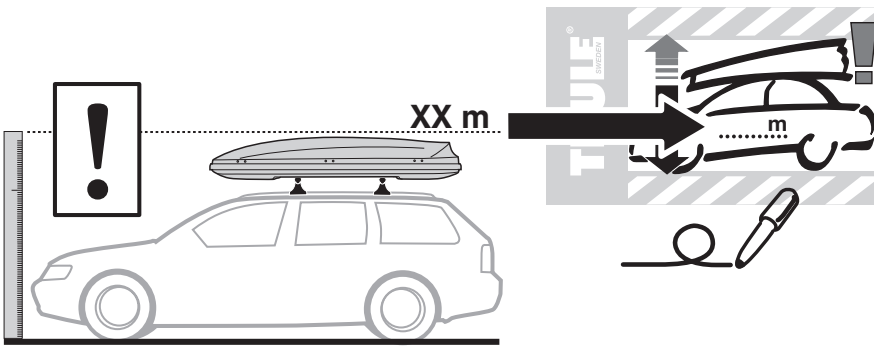
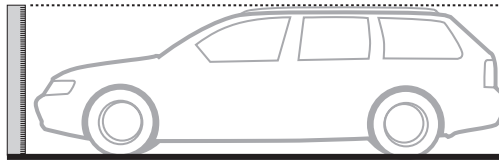
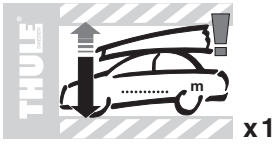
x2



6



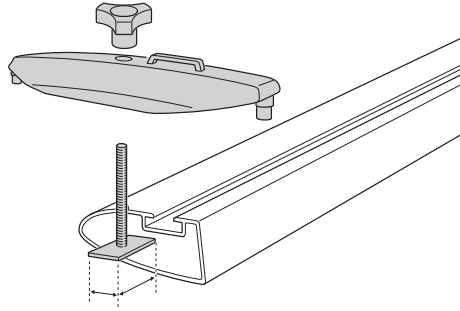
7



i Thule T-Nut Adapter

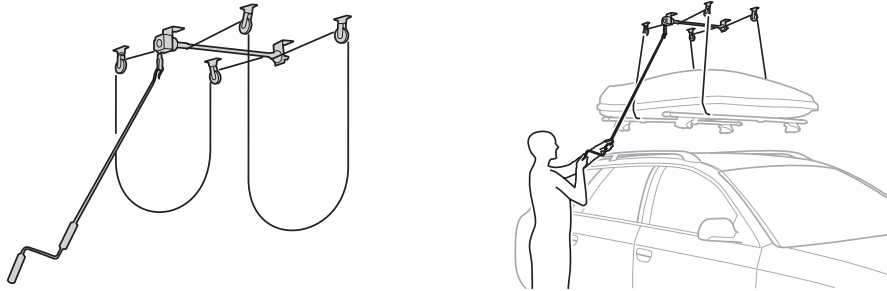
696400 → 24x30 mm

697400 → 20x20 mm



i Thule Boxlift

571000



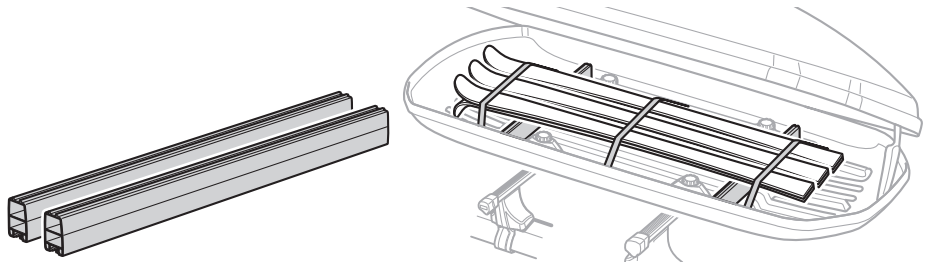
i Thule Skicarrier

694800 → Pacific: 200, 780

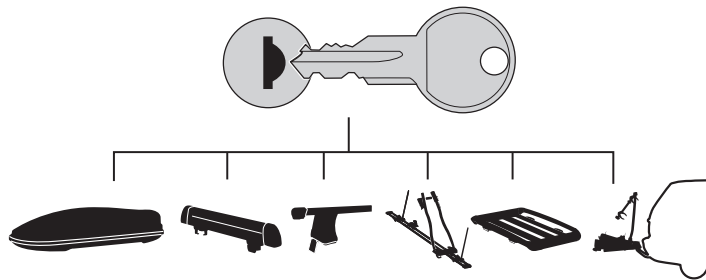
694500 → Pacific: 500





694600 → Pacific: 600

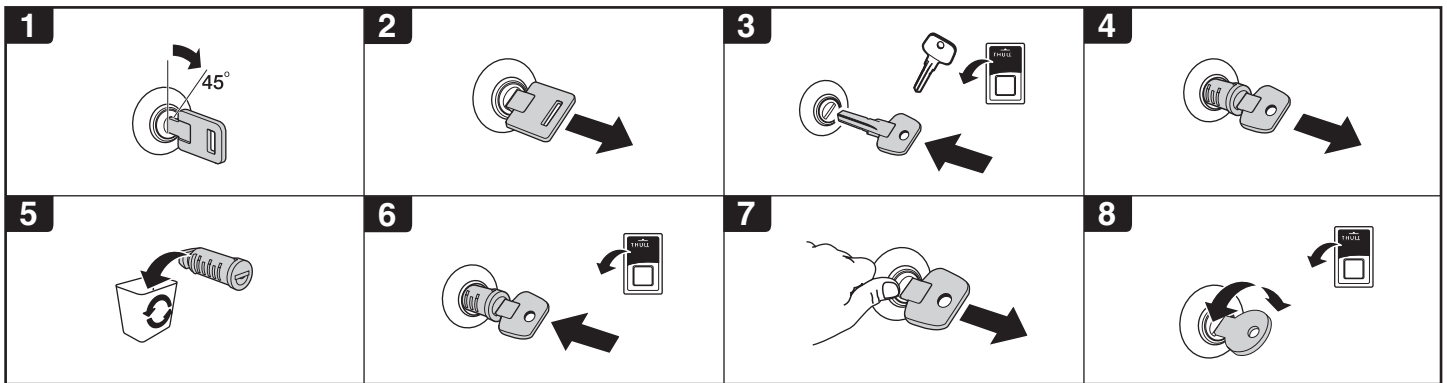
694700 → Pacific: 700

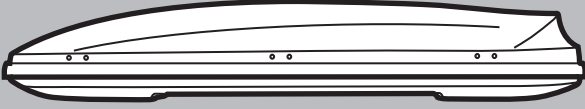


THULE
SWEDEN
**ONE
KEY
SYSTEM**

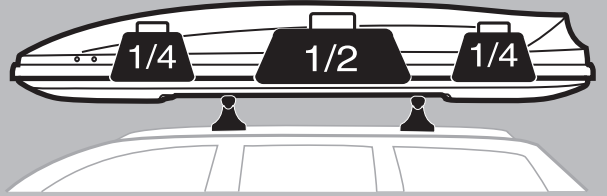


- 544**  (x4)
- 596**  (x6)
- 588**  (x8)
- 452**  (x12)





Pacific 100: 12 kg
Pacific 200: 14 kg
Pacific 500: 12 kg
Pacific 600: 13 kg
Pacific 700: 15 kg
Pacific 780: 15 kg



Max 50 kg

i

