

Kit 1047

HYUNDAI Accent, 3-dr Hatchback, 95-99

HYUNDAI Accent, 4-dr Sedan, 94-99

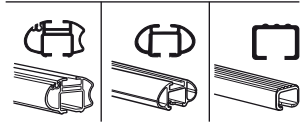
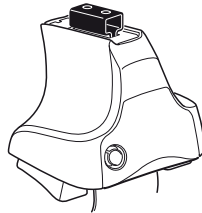
HYUNDAI Accent, 5-dr Hatchback, 95-99

HYUNDAI Pony, 3-dr Hatchback, 95-99

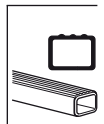
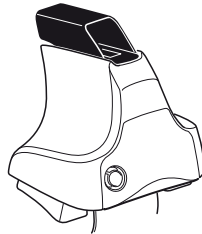
HYUNDAI Pony, 4-dr Sedan, 94-99

HYUNDAI Pony, 5-dr Hatchback, 95-99

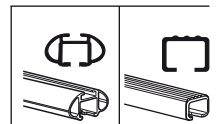
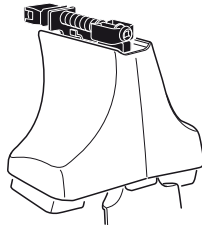
480R
754






480


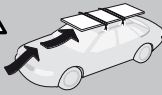



750









 + 
 + 
 = **Max. 50kg/110 lbs**

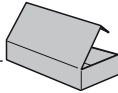

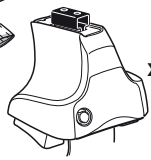

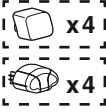

 + 
 = **Max. 75kg/165 lbs**


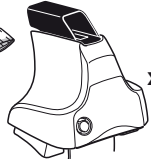
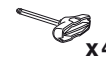

80 km/h / 50 Mph, 130 km/h / 80 Mph, 40 km/h / 25 Mph

km/h / Mph


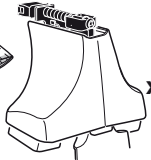



 + 



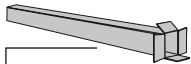
480R/754 x1 x4 x4 x4







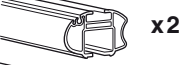


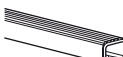



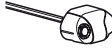


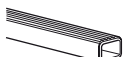





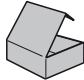
480 x1 x4 x4 x4




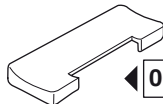




750 x1 x4 x4

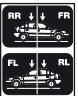


				
 x2  x2  x2  x4	 x2	 x2  x2  x4  x4	 x2  x2	 x2



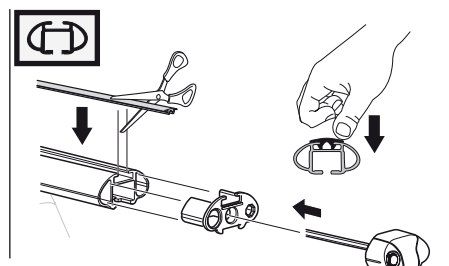
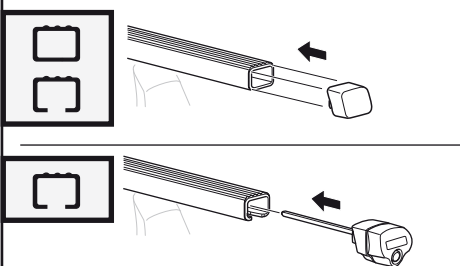
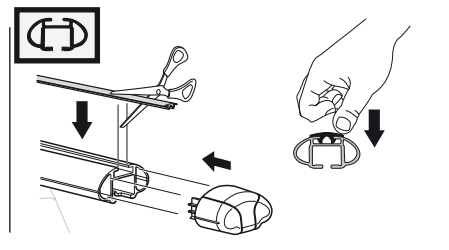
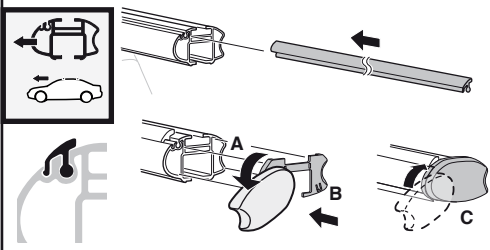
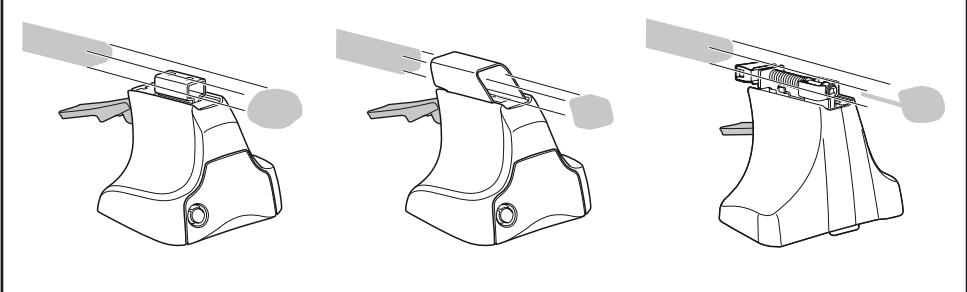
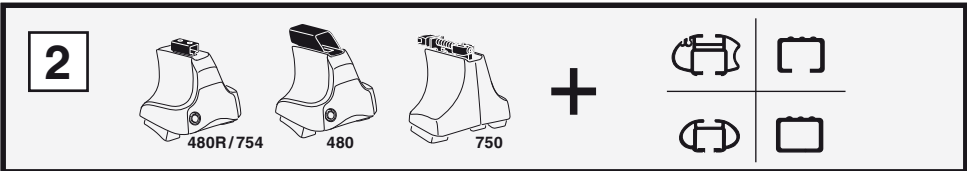
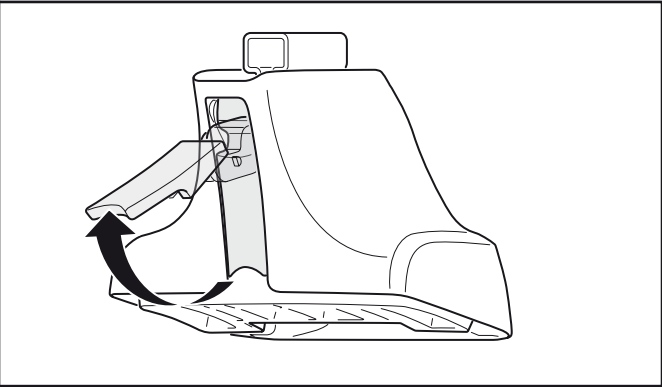
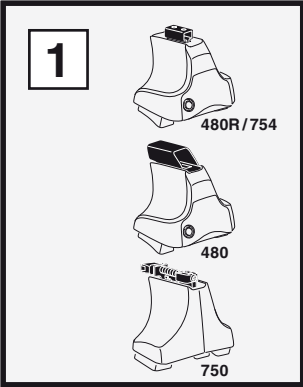
	
	

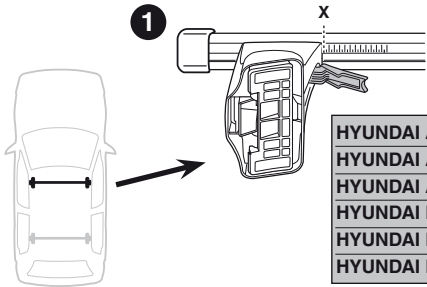
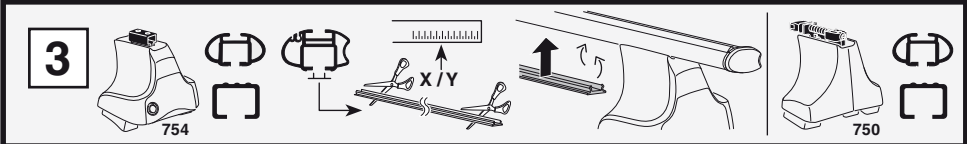
108 x2 148 x2
 145 x2 06 x4



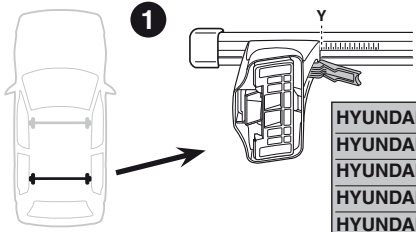
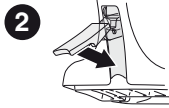
FR RR, FL RL

Kit

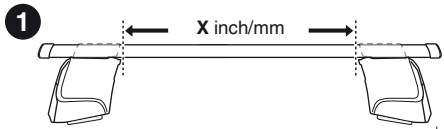
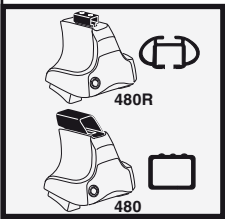
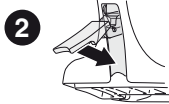




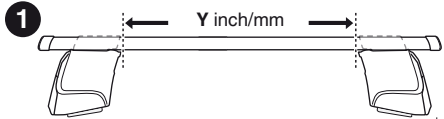
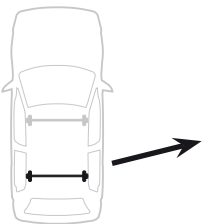
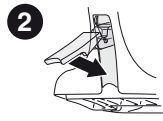
	X
HYUNDAI Accent, 3-dr Hatchback, 95-99	22
HYUNDAI Accent, 4-dr Sedan, 94-99	22
HYUNDAI Accent, 5-dr Hatchback, 95-99	22
HYUNDAI Pony, 3-dr Hatchback, 95-99	22
HYUNDAI Pony, 4-dr Sedan, 94-99	22
HYUNDAI Pony, 5-dr Hatchback, 95-99	22



	Y
HYUNDAI Accent, 3-dr Hatchback, 95-99	20
HYUNDAI Accent, 4-dr Sedan, 94-99	20
HYUNDAI Accent, 5-dr Hatchback, 95-99	20
HYUNDAI Pony, 3-dr Hatchback, 95-99	20
HYUNDAI Pony, 4-dr Sedan, 94-99	20
HYUNDAI Pony, 5-dr Hatchback, 95-99	20



	X inch	X mm
HYUNDAI Accent, 3-dr Hatchback, 95-99	34 1/4"	871 mm
HYUNDAI Accent, 4-dr Sedan, 94-99	34 1/4"	871 mm
HYUNDAI Accent, 5-dr Hatchback, 95-99	34 1/4"	871 mm
HYUNDAI Pony, 3-dr Hatchback, 95-99	34 1/4"	871 mm
HYUNDAI Pony, 4-dr Sedan, 94-99	34 1/4"	871 mm
HYUNDAI Pony, 5-dr Hatchback, 95-99	34 1/4"	871 mm



	Y inch	Y mm
HYUNDAI Accent, 3-dr Hatchback, 95-99	33 1/2"	851 mm
HYUNDAI Accent, 4-dr Sedan, 94-99	33 1/2"	851 mm
HYUNDAI Accent, 5-dr Hatchback, 95-99	33 1/2"	851 mm
HYUNDAI Pony, 3-dr Hatchback, 95-99	33 1/2"	851 mm
HYUNDAI Pony, 4-dr Sedan, 94-99	33 1/2"	851 mm
HYUNDAI Pony, 5-dr Hatchback, 95-99	33 1/2"	851 mm

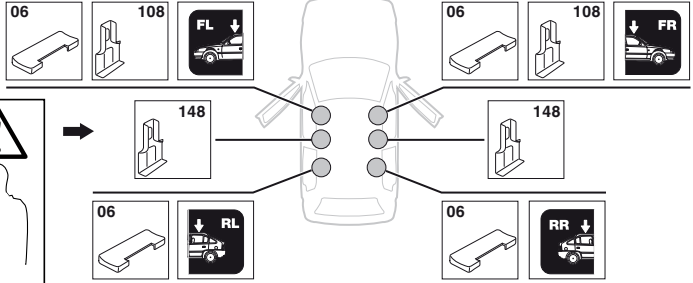
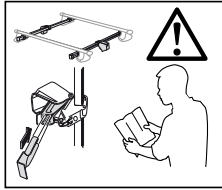


4

HYUNDAI Accent, 3-dr Hatchback, 95-99

HYUNDAI Pony, 3-dr Hatchback, 95-99

SRA

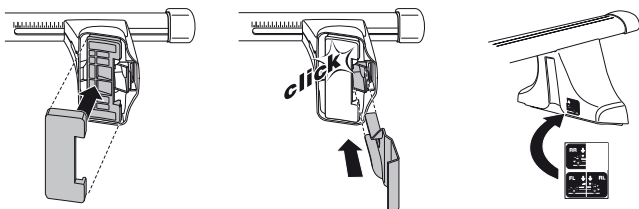
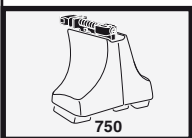
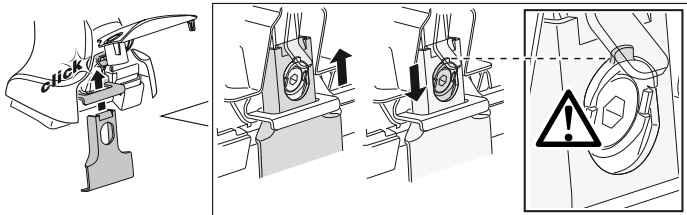
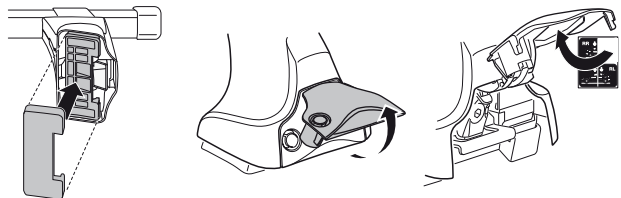
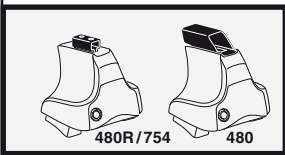
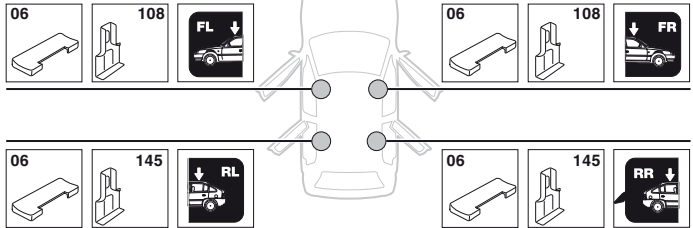


HYUNDAI Accent, 4-dr Sedan, 94-99

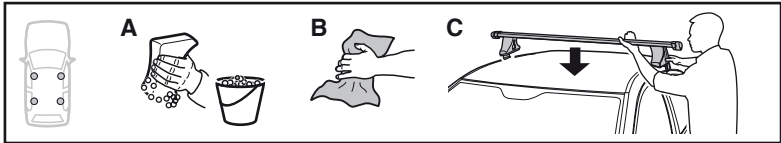
HYUNDAI Accent, 5-dr Hatchback, 95-99

HYUNDAI Pony, 4-dr Sedan, 94-99

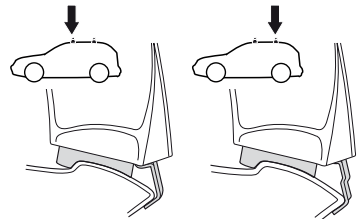
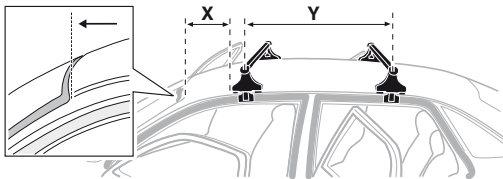
HYUNDAI Pony, 5-dr Hatchback, 95-99



5

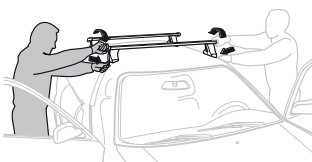
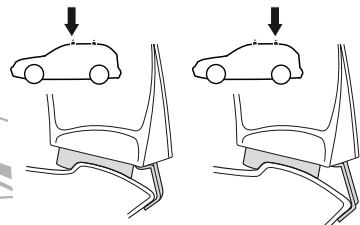
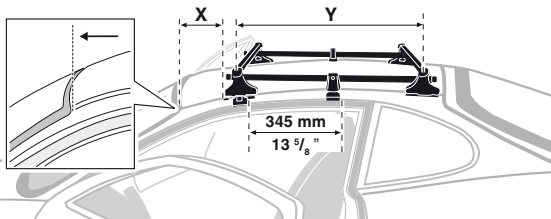


	X mm	Y mm	X inch	Y inch
HYUNDAI Accent , 3-dr Hatchback, 95-99	160 mm	700 mm	6 1/4"	27 1/2"
HYUNDAI Accent , 4-dr Sedan, 94-99	160 mm	620 mm	6 1/4"	24 3/8"
HYUNDAI Accent , 5-dr Hatchback, 95-99	160 mm	620 mm	6 1/4"	24 3/8"
HYUNDAI Pony , 3-dr Hatchback, 95-99	160 mm	700 mm	6 1/4"	27 1/2"
HYUNDAI Pony , 4-dr Sedan, 94-99	160 mm	620 mm	6 1/4"	24 3/8"
HYUNDAI Pony , 5-dr Hatchback, 95-99	160 mm	620 mm	6 1/4"	24 3/8"



HYUNDAI Accent, 3-dr Hatchback, 95-99

HYUNDAI Pony, 3-dr Hatchback, 95-99



- GB/US** Tighten alternately
D Die Schrauben abwechselnd anziehen
F Serrer alternativement chaque côté
NL Afwisselend aan de linker- en de rechterkant aandraaien
I Alternare il serraggio delle viti
E Apretar alternativamente
PT Aperte alternadamente
S Dra át växelvis
FIN Kierrä vuorotellen
EST Pinguldage vaheldumisi
LAT Pievelciēt pamišus
LIT Užsukinėkite pakaitomis
PL Śruby dokręcaj naprzemiennie
RU Затягивайте попеременно

- CZ** Pokrétla bagazníka dokręcaj dokręcaj naprzemiennie.
SK Dofahujte striedavo
SLO Privijajte izmenično.
HR Naizmjerno zategnite
HU Egymástól függetlenül szorítandó
GR Σφιγγετε εναλλάξ
TR Dönüşümlü sıkın

中文 交替拧紧

한국어 번갈아 가며 조이십시오.

日本語 交互に締め付けてください。

ไทย ชั้้นในแบบสลับ

6



480R/754



480



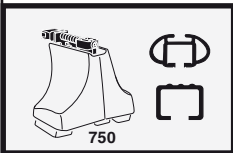
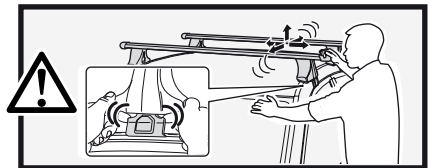
*
3 Nm



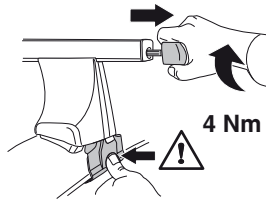
*



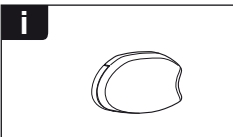
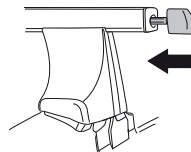
*
≈ 3 Nm



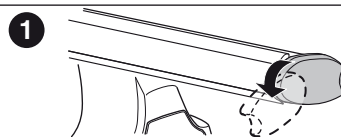
750



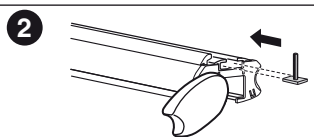
4 Nm



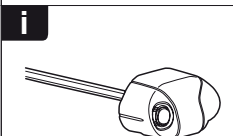
i



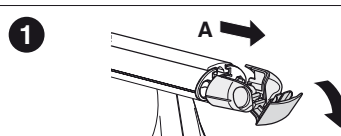
1



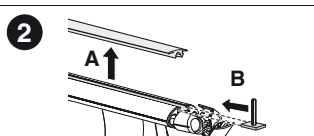
2



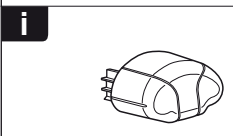
i



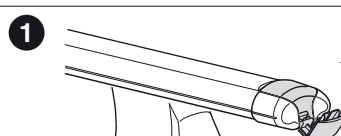
1



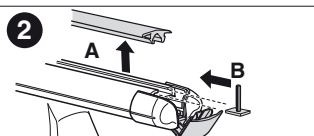
2



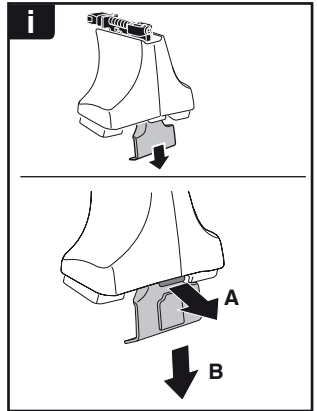
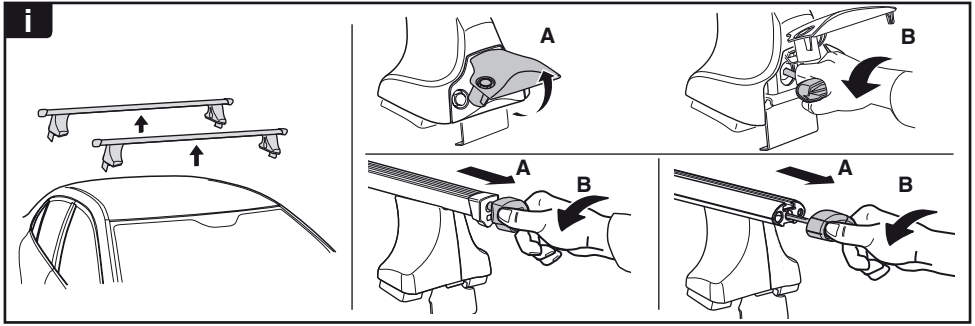
i



1








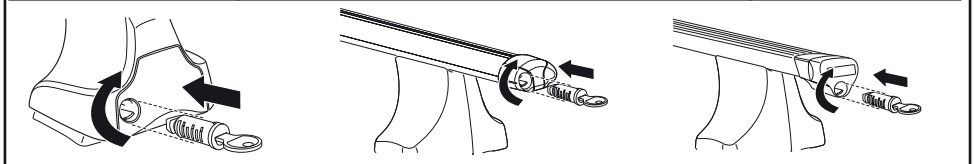
2



THULE
SWEDEN
**ONE
KEY
SYSTEM**



-  **544** (x4)
-  **596** (x6)
-  **588** (x8)
- NA  **510** (x10)
- EUR  **452** (x12)
- ASIA



WW ▶ Thule Sweden AB, Box 69, 330 33 Hillerstorp, SWEDEN
NA ▶ Thule Inc., 42 Silvermine Road, Seymour, Connecticut 06483, USA

info@thule.com
customer.service@thule.com

 www.thule.com