

Kit 3073

TOYOTA Avensis, 5-dr Estate, 09-

This Kit is only for vehicles with fixpoint mounting.



460R
753




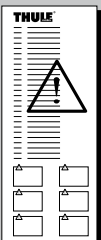


460




THULE[®]
SWEDEN


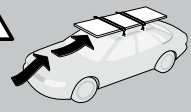

ISO 11154-E


 $xx \text{ kg} + 5 \text{ kg} = \text{Max. } 75\text{kg}$
 $xx \text{ lbs} + 11 \text{ lbs} = \text{Max. } 165 \text{ lbs}$

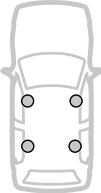
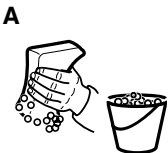






THULE Kit XXXX
 instructions

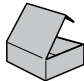







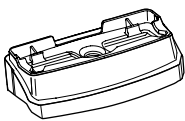
80 km/h 130 km/h
 50 Mph 80 Mph
 40 km/h 25 Mph
 km/h Mph

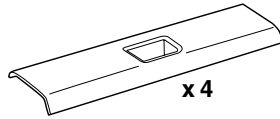






A B C





 01 x 4



 122 x 4



 x 4

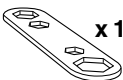

 x 1

50965


 x 4


 x 4


 x 4


 x 1

Kit



753



x4



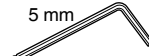
x4



x4



x8



x1



x4



x1

460R



x4



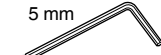
x4



x4



x8



x1



x4

460



x4



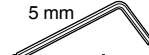
x4



x4



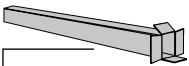
x8



x1



x4



x2



x2

17 mm



x2

23 mm

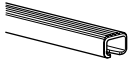


x2

23 mm



x2



x2



x2

23 mm



x2



x2



x2



x4



x2

23 mm



x2



x2



x2

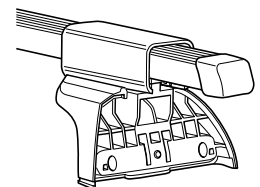
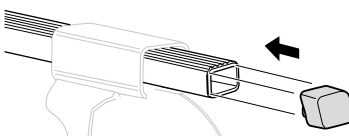
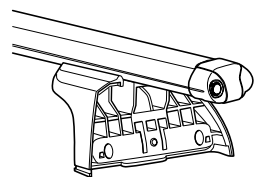
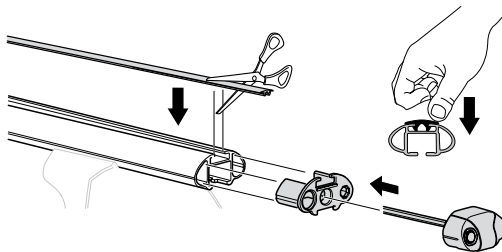
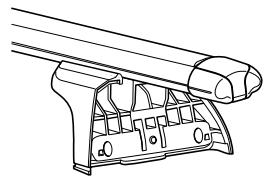
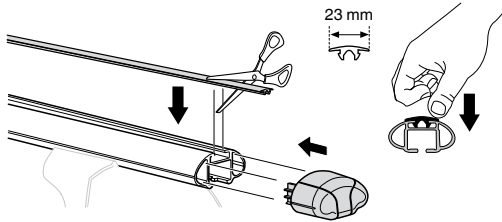
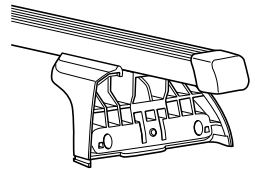
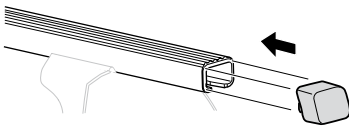


x4

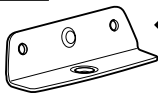


x4

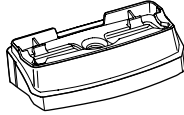
1



2



01 x 4

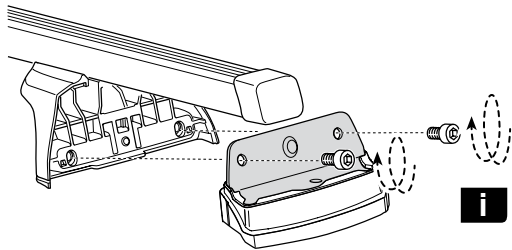
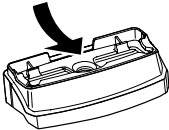
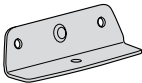
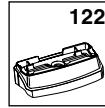
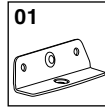
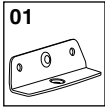
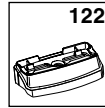
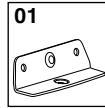
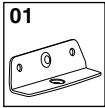


122 x 4

16 mm x 8



x 1

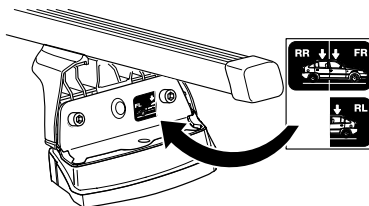


i

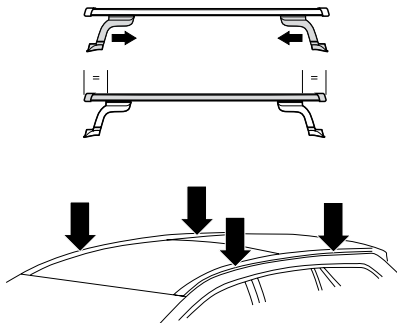
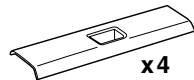
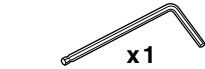
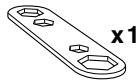
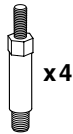
GB Only a few turns
D Nur wenige Umdrehungen
F Quelques tours uniquement
NL Slechts enkele slagen
I Solo qualche giro
E Sólo algunas vueltas
PT Noções básicas
S Endast några varv
FIN Vain muutama kierros

EST Ainult mõni pööre
LAT Tikai dažī apgriezieni
LIT Tik keli pasukimai
PL Wystarczy kilka obrotów
RU Достаточно нескольких оборотов
CZ Pouze několik otáčecí
SK Len niekoľko otáčok
SLO Le nekaj obratov

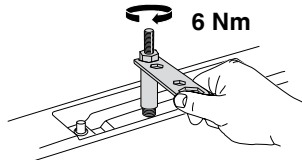
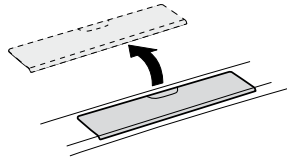
HR Samo nekoliko okreta
HU Csak néhány fordítás
GR Μόνο μερικές στροφές
TR Yalnız birkaç kez çevirm
中文 只有几个转向
한국어 두 세번만
日本語 数回転のみ
ไทย หมุนเพียงไม่กี่รอบ



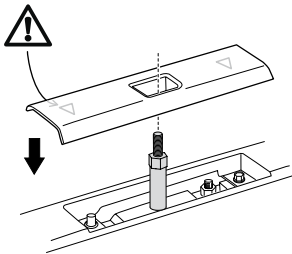
3



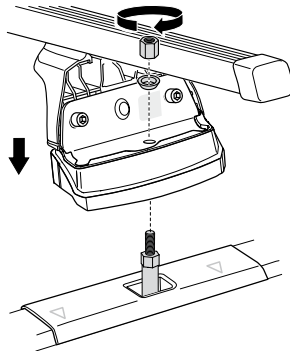
A



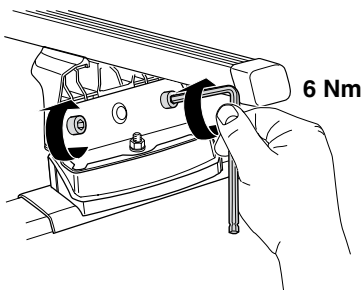
B



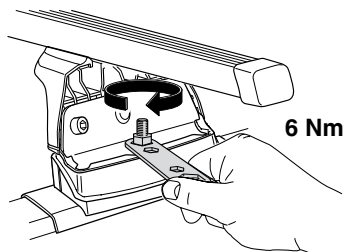
C

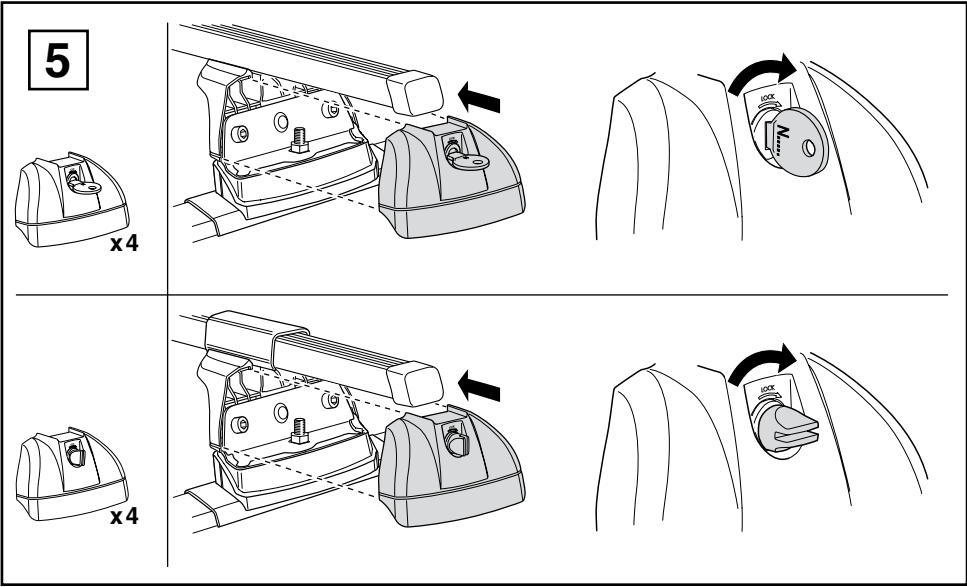
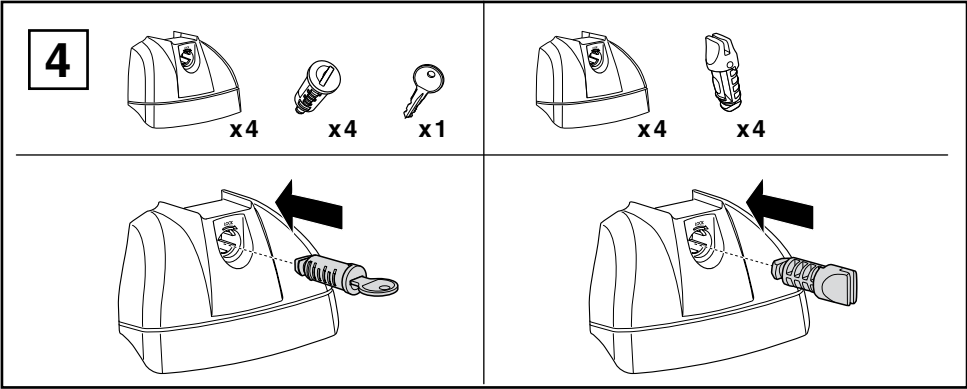


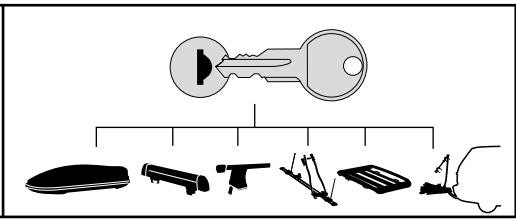
D








E







-  544 (x4)
-  596 (x6)
-  588 (x8)
-  NA 510 (x10)
-  EUR ASIA 452 (x12)

WW ▶ Thule Sweden AB, Box 69, 330 33 Hillerstorp, SWEDEN
 NA ▶ Thule Inc., 42 Silvermine Road, Seymour, Connecticut 06483, USA

info@thule.com
 customer.service@thule.com

 www.thule.com