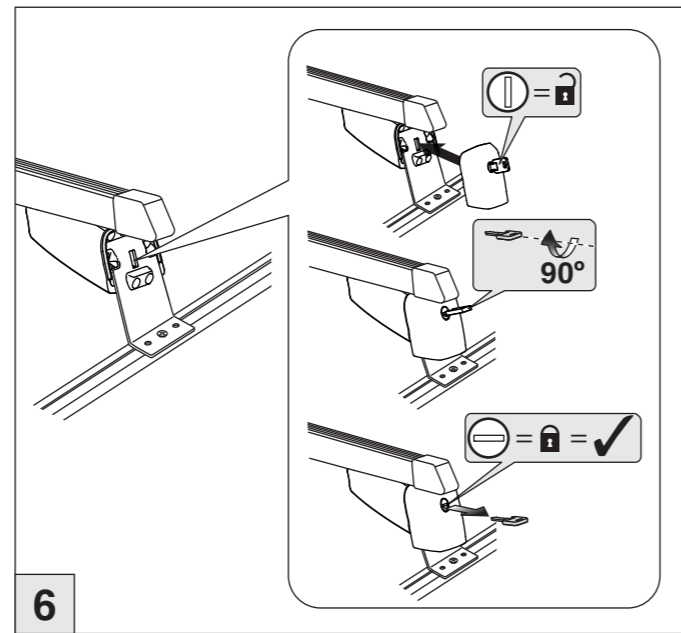


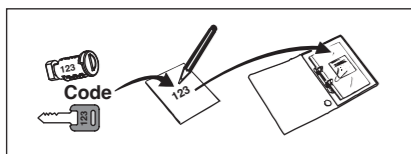
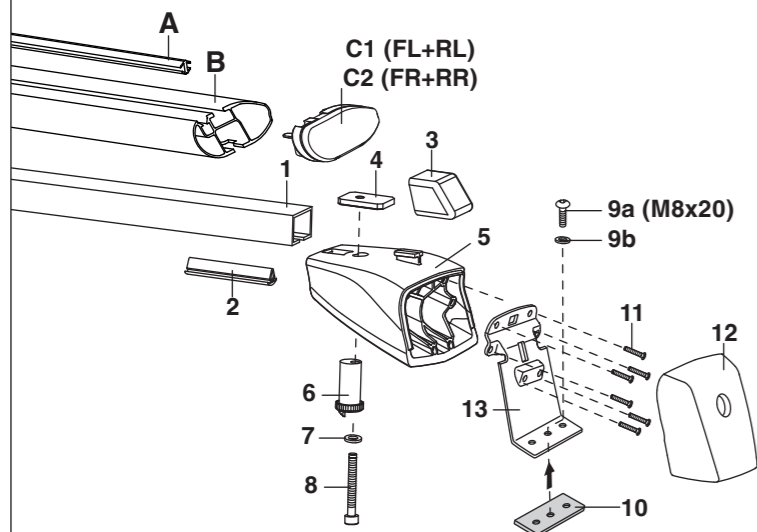
5



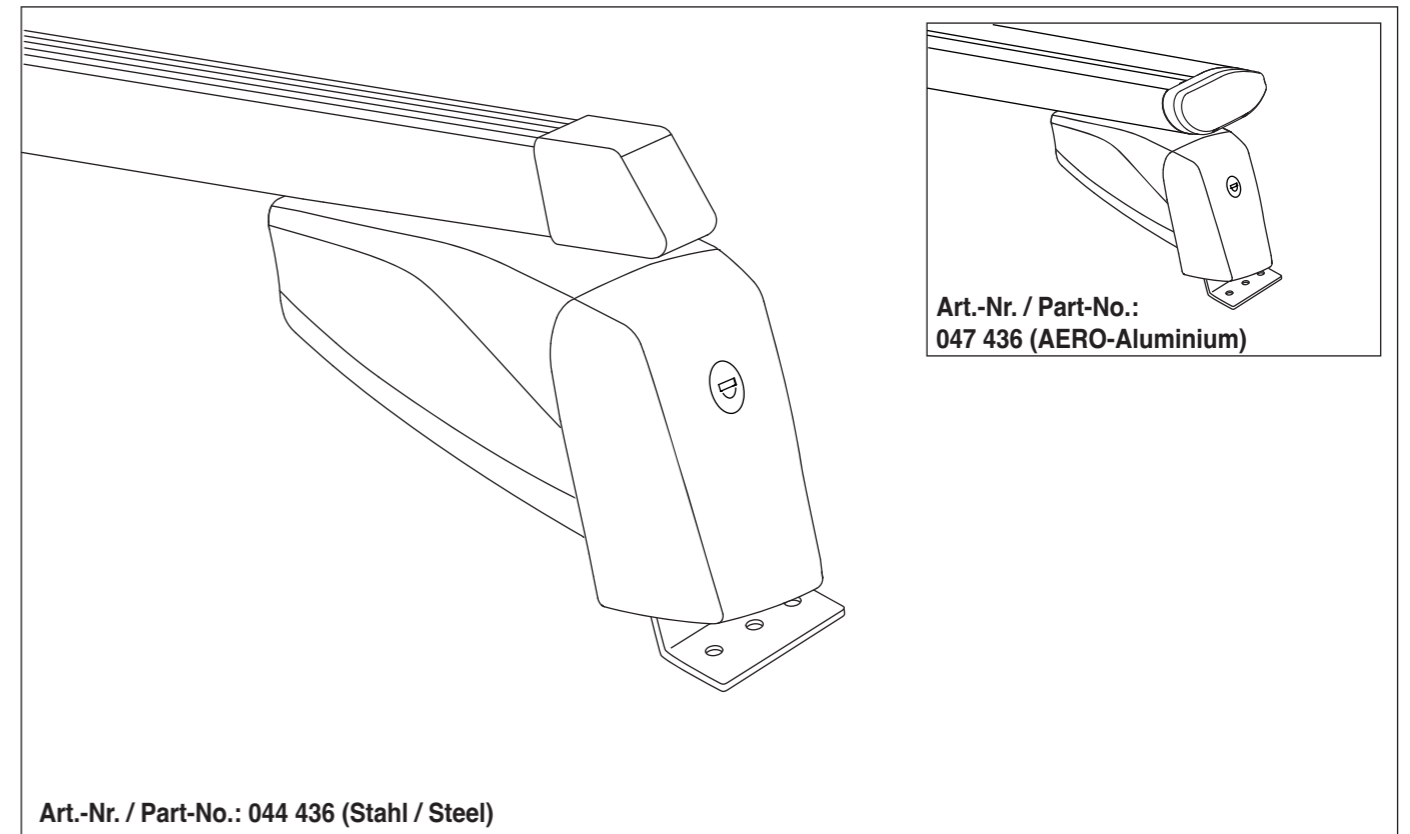
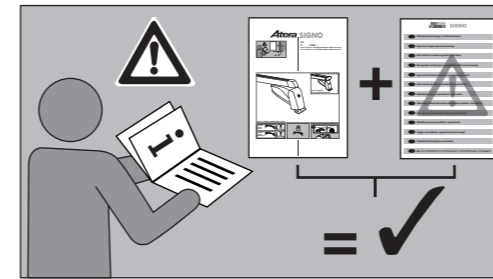
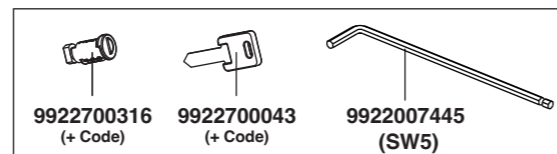
6

nur bei Art.Nr.: 047 436
only for part no.: 047 436
A- 8828700069
B- 9945700224
C1- 8828700062
C2- 8828700063

- 1- 9945700093
- 2- 9919700062
- 3- 9945700105
- 4- 9912700051
- 5- 9918701344
- 6- 9918701357
- 7- 9910700004
- 8- 9908700044
- 9a- 9908700136
- 9b- 9910700089
- 10- 9926700036
- 11- 9908700010
- 12- 9918701345
- 13- 9949702006

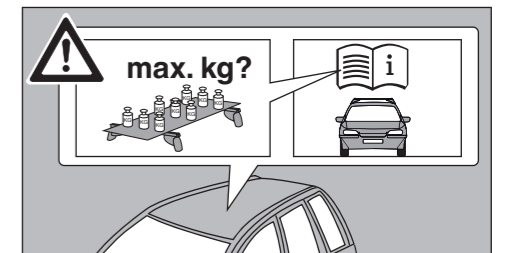



7

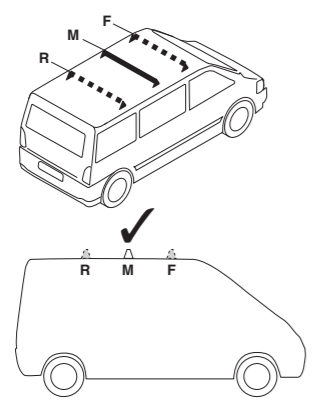


Art.-Nr. / Part-No.: 044 436 (Stahl / Steel)

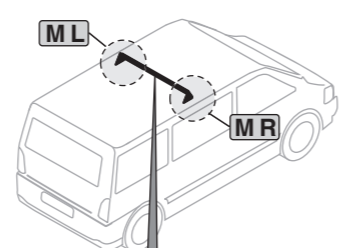
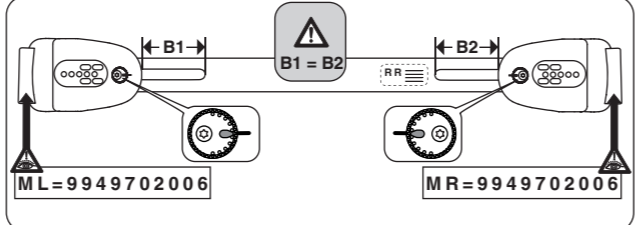
044 436 (Stahl) (Steel)			2,8 kg
047 436 (AERO- Aluminium)			2,5 kg



 F + R = Art.-Nr/Part-No. 044 433 / 047 433
(Grundträger / basic carrier)
M = Art.-Nr/Part-No. 044 436 / 047 436
(3. Zusatzbügel / 3rd carrier bow)

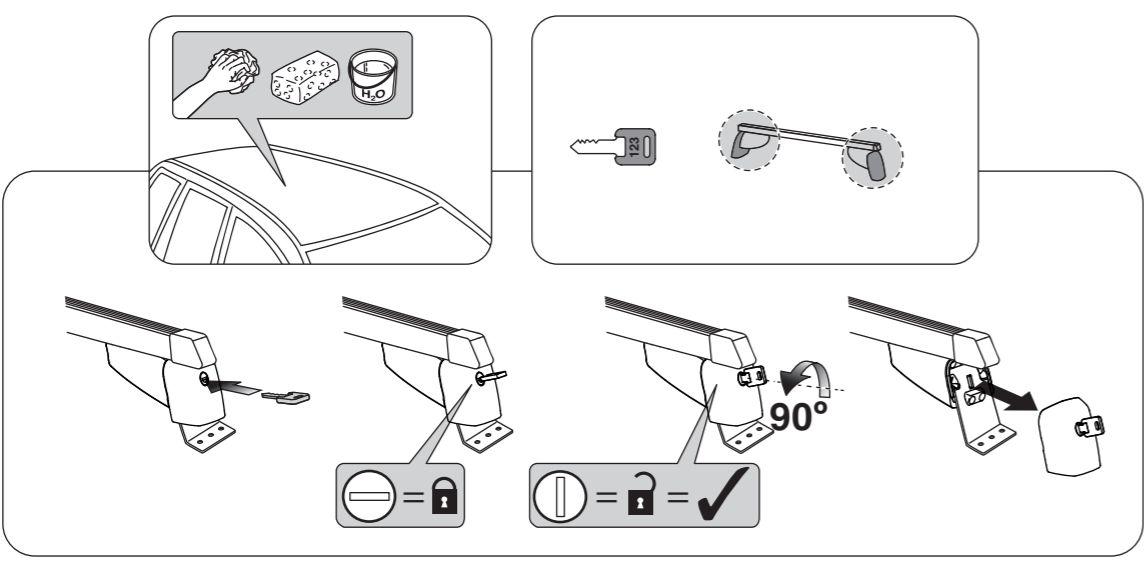


INFO

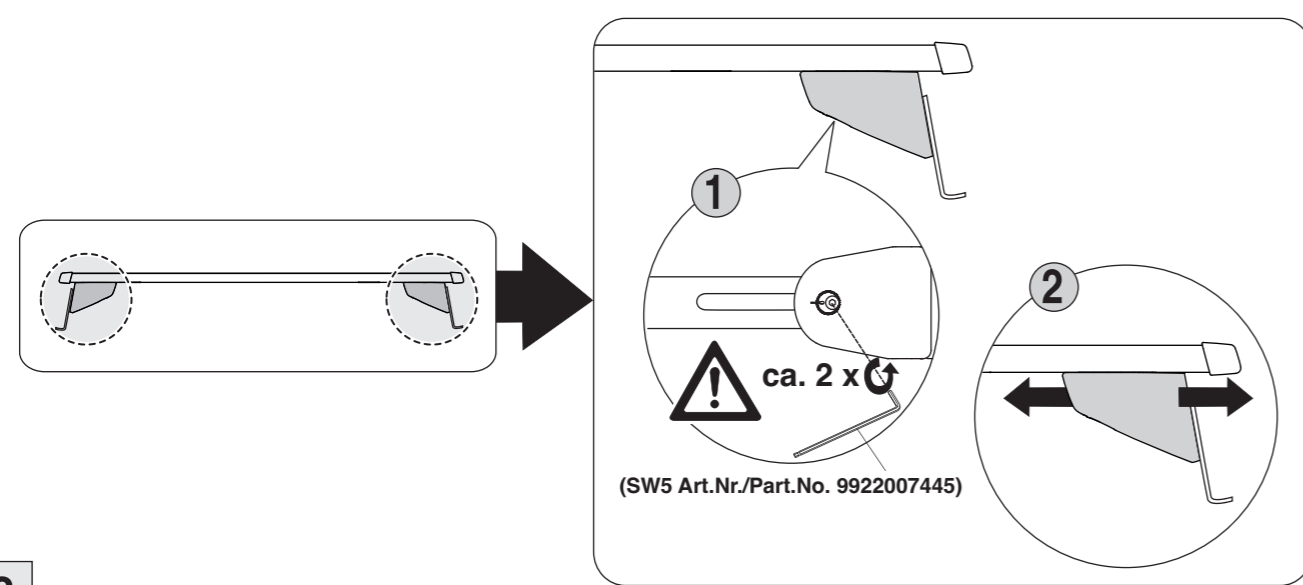



ML-9949702006 MR-9949702006

INFO

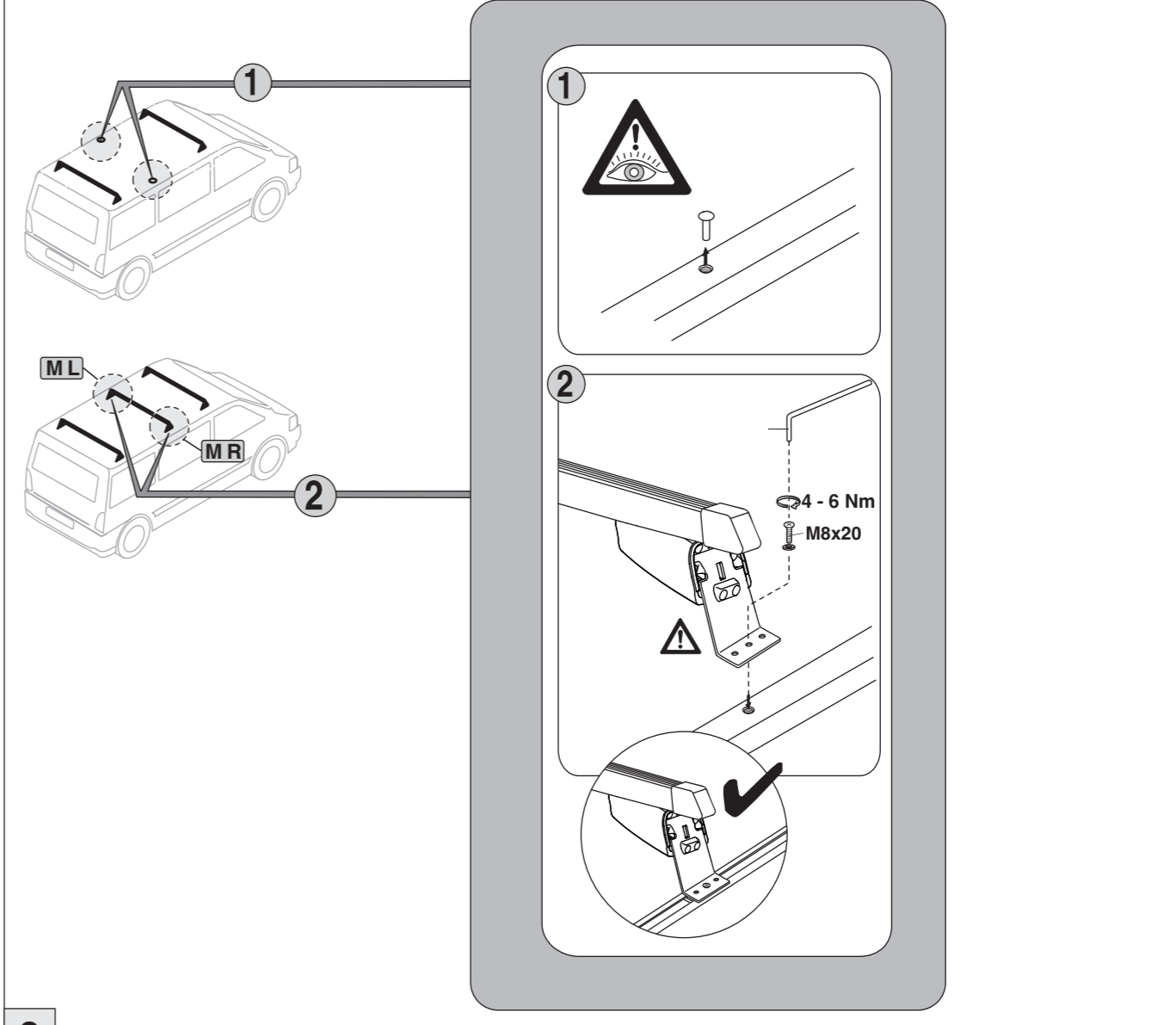


1

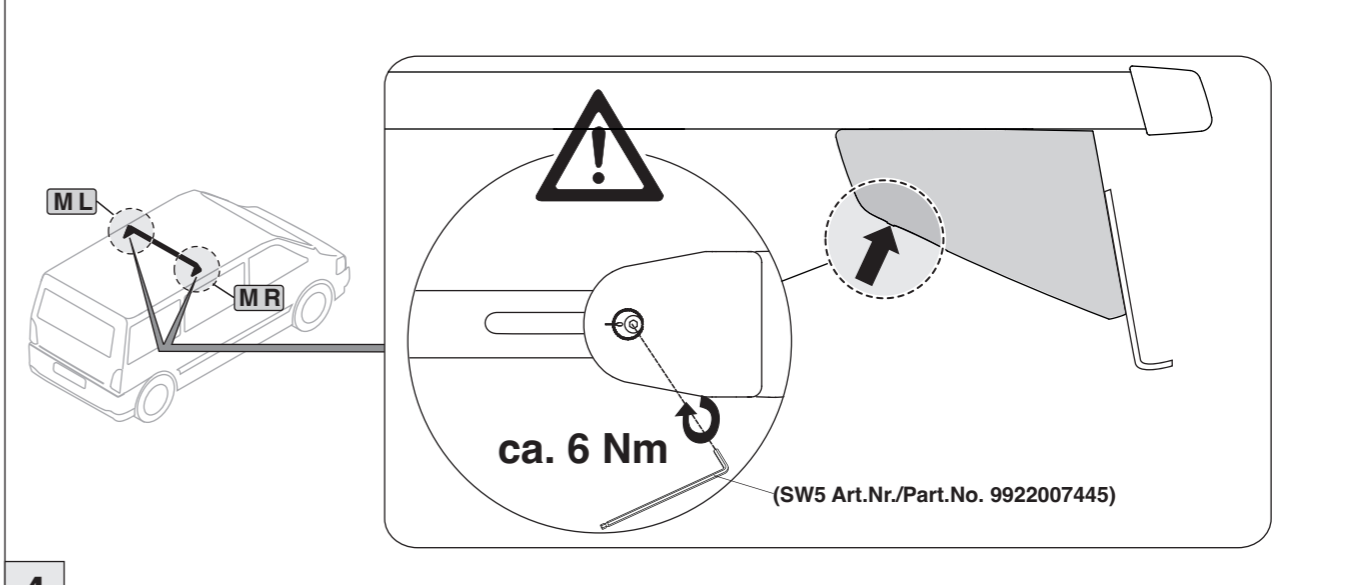


(SW5 Art.Nr./Part.No. 9922007445)

2



3



(SW5 Art.Nr./Part.No. 9922007445)

4