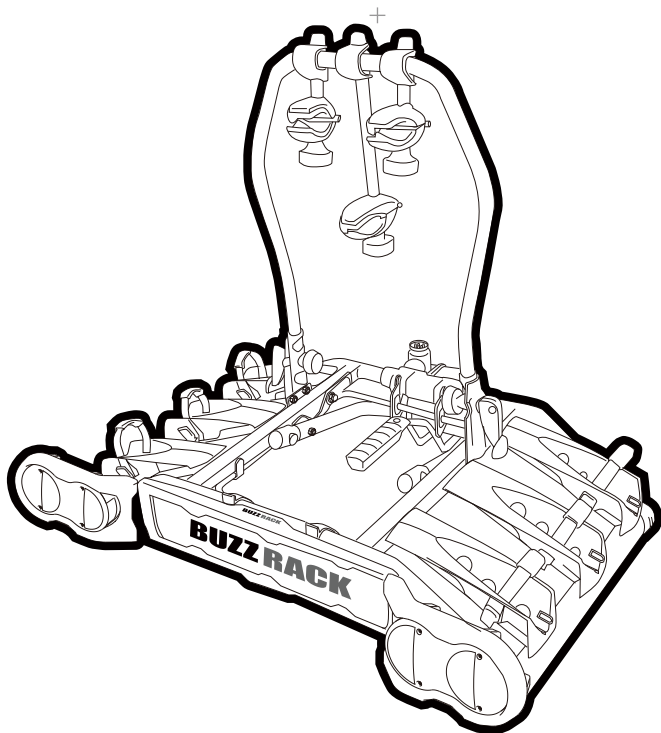






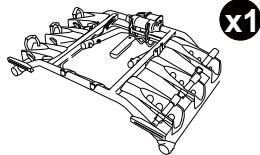
# BUZZ RACK



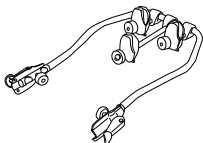
Max  S = xx kg 		
40 kg	<b>20 kg</b>	20 kg
50 kg		30 kg
60 kg		40 kg
70 kg		50 kg
>80 kg		MAX 55 kg

## SPARK 3

# PART LIST



x1



x1



x1



x1



x1



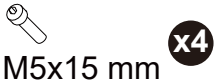
x3



x1



x2



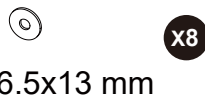
x4

M5x15 mm



x2

M6x40 mm



x8

6.5x13 mm



x4



x4

M6x16mm



x2

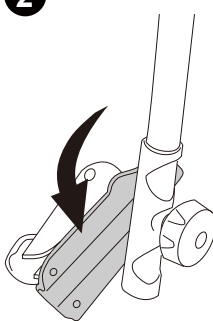
6.5x13 mm



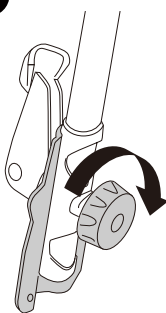
1



2



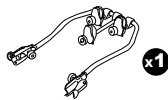
3



x1



x1

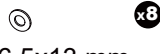


x1



x4

M6x16mm

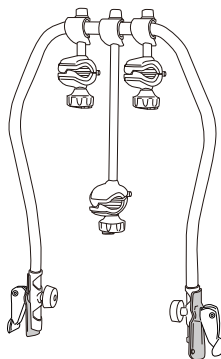


x8

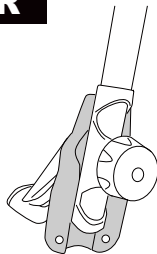
6.5x13 mm



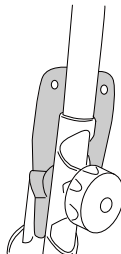
x4



L&R

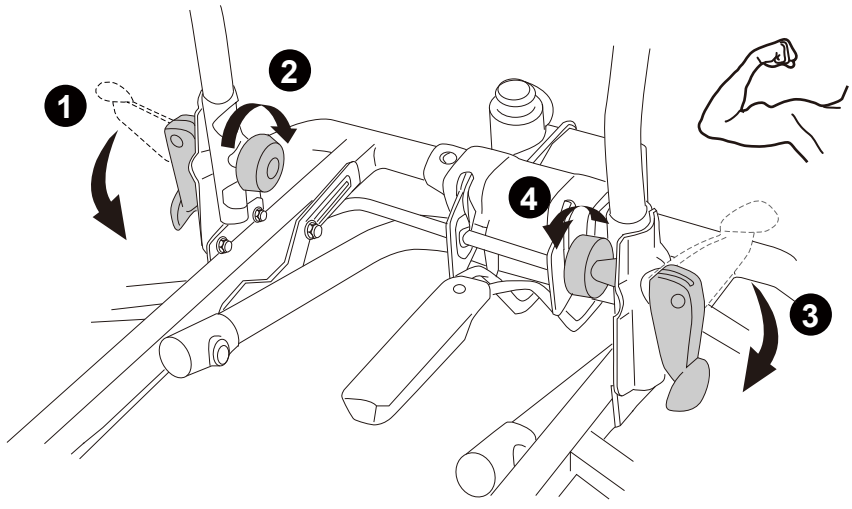
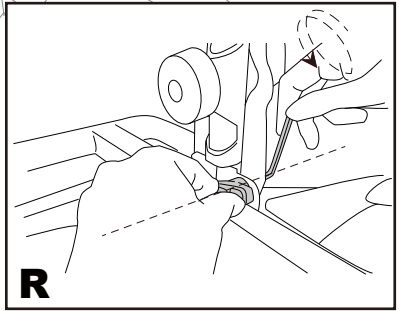
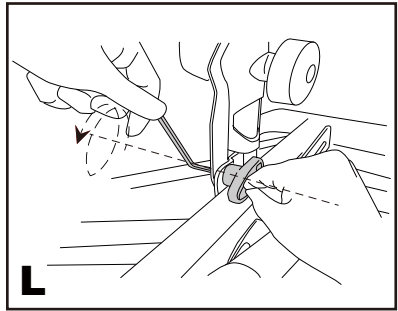
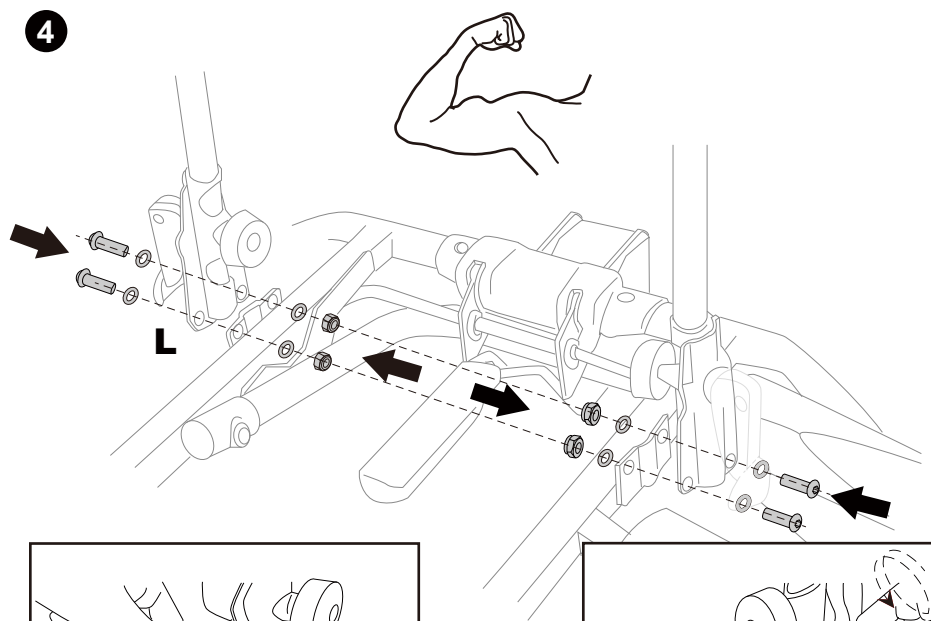


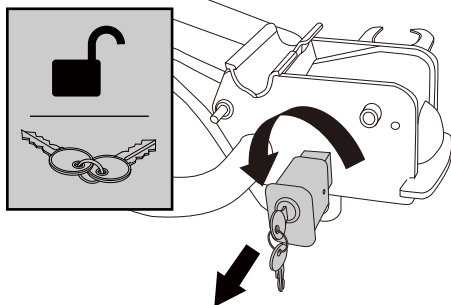
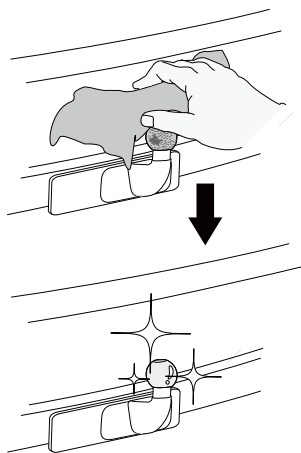
OK



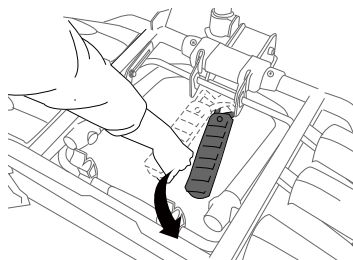
~~OK~~

4

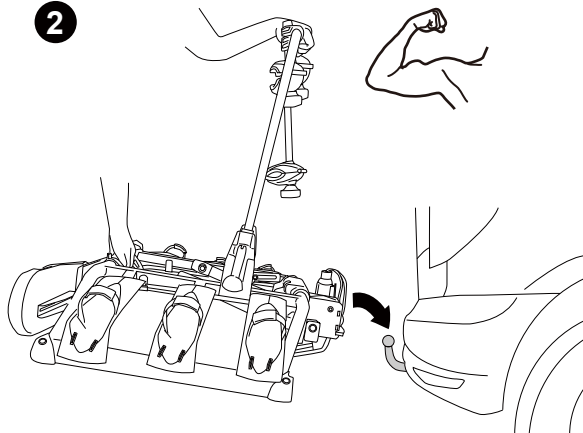




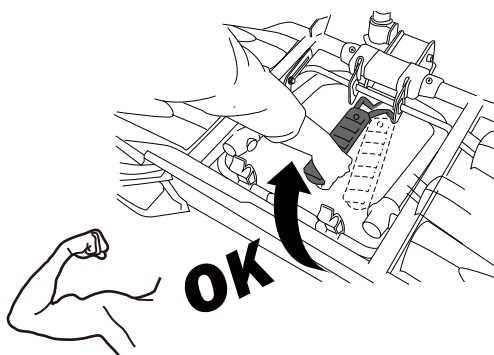
1



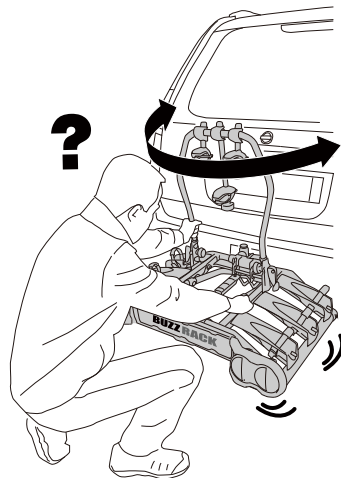
2

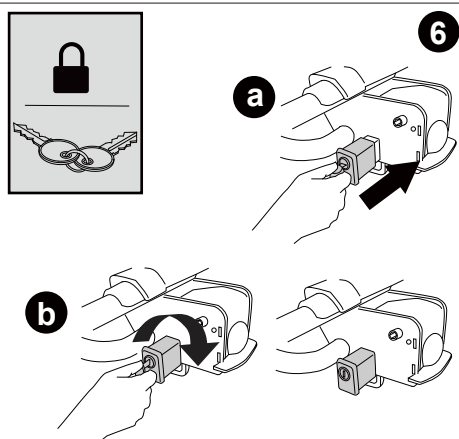
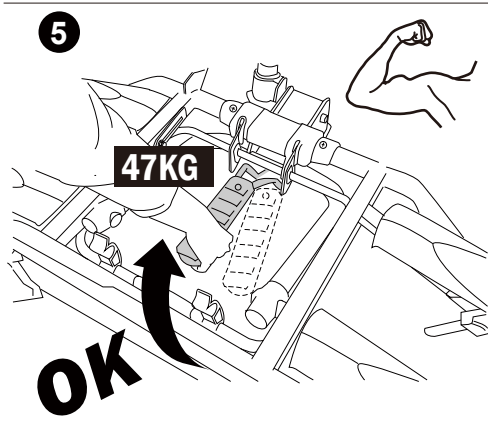
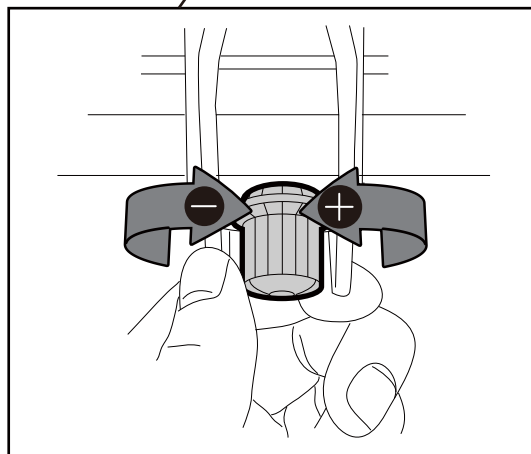
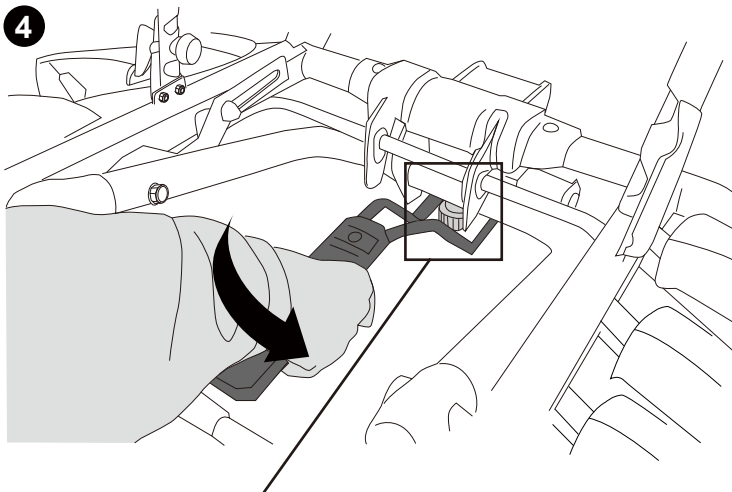


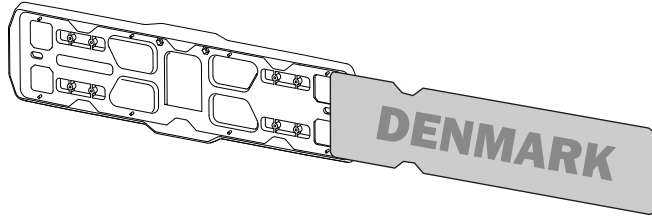
3



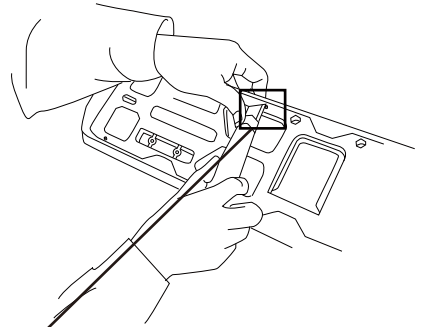
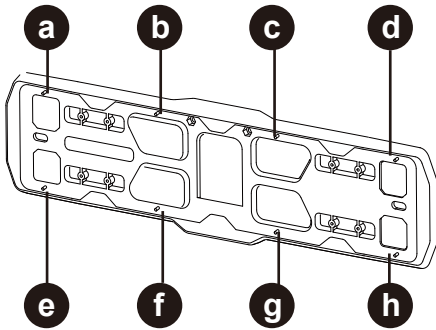
?



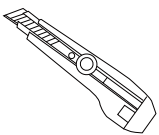
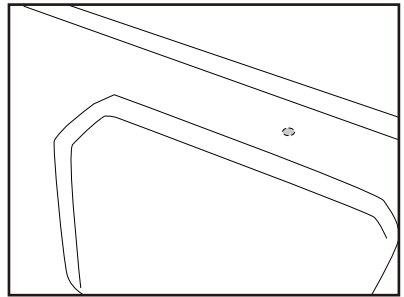
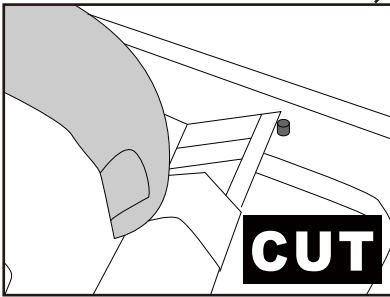




1

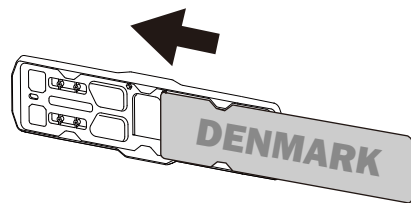



2





TOOL IS NOT INCLUDED

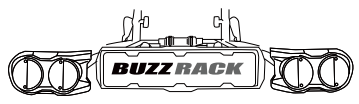
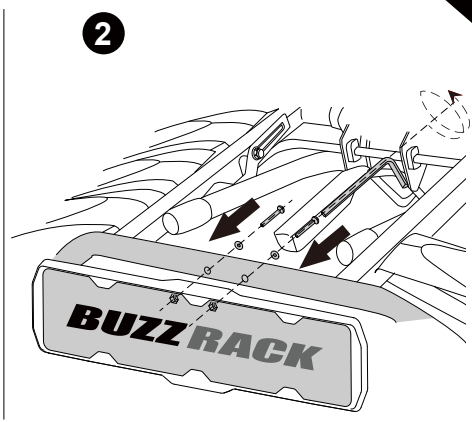
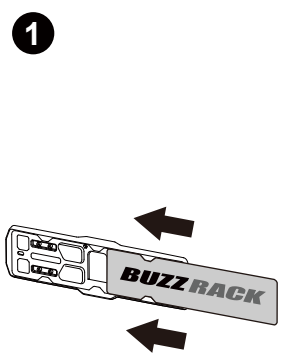
3



 x2  
M6x40 mm

 x2  
6.5x13 mm

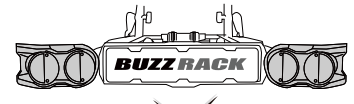
 x1




**OK**





~~**OK**~~



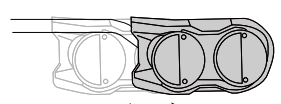
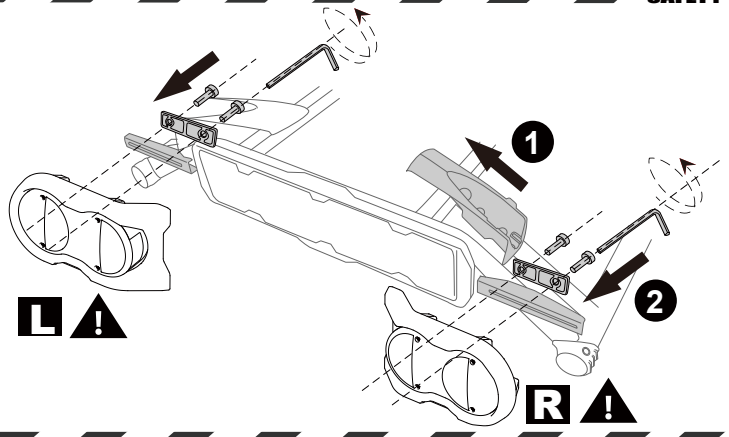
~~**OK**~~

 x1

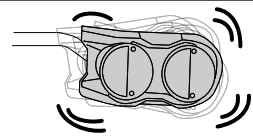
 x2

 x4  
M5x15mm

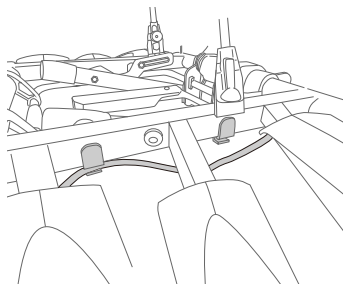
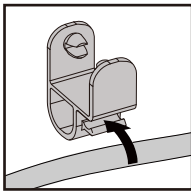
 x1



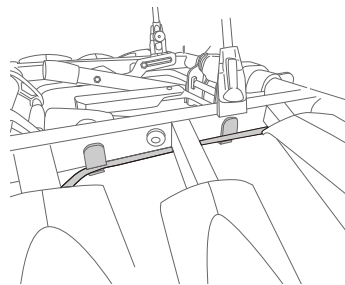
**OK**



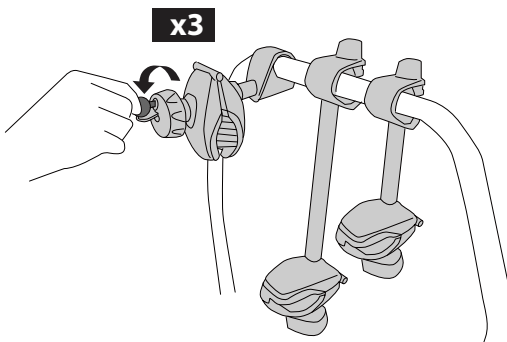
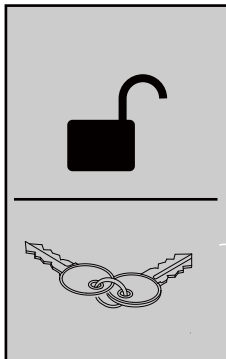
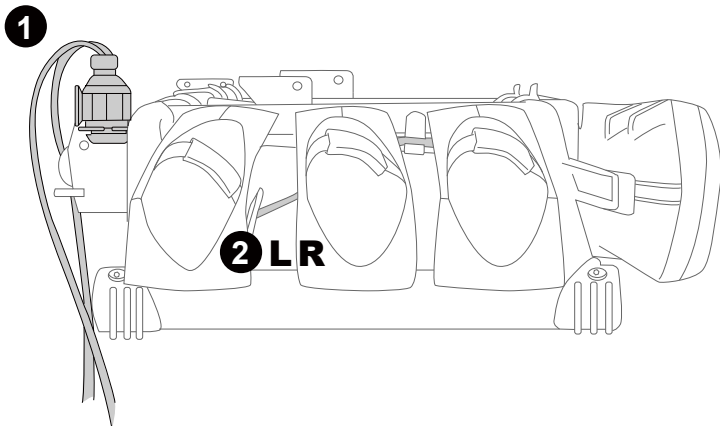
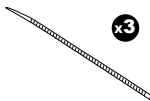
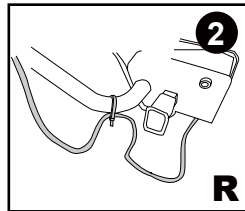
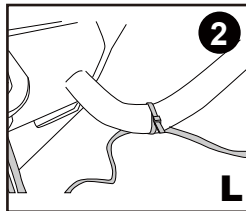
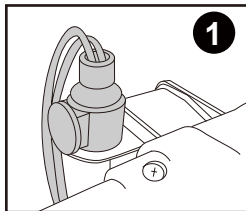
~~**OK**~~



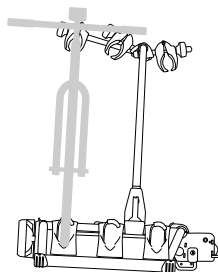
**OK**



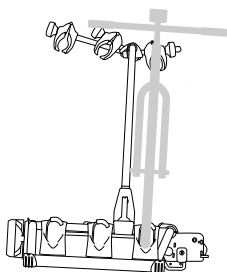
~~**OK**~~



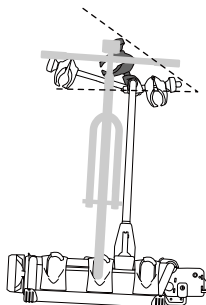




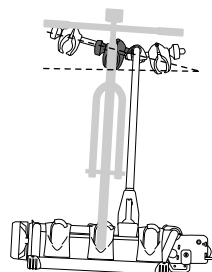
~~OK~~



OK



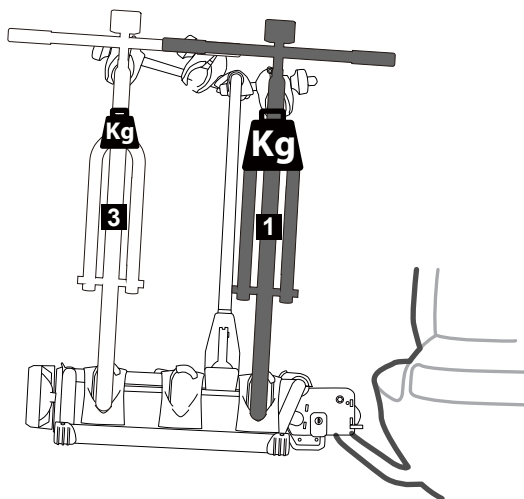
~~OK~~



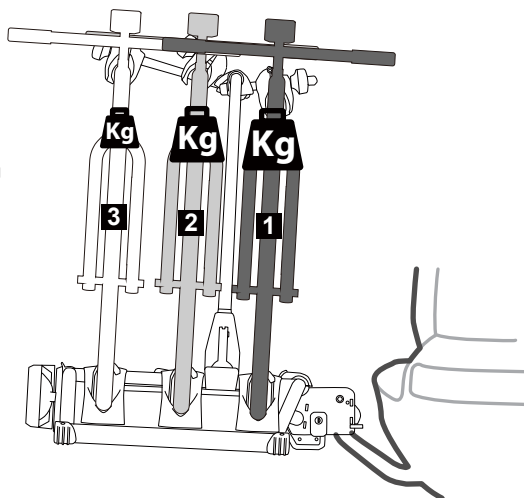
OK

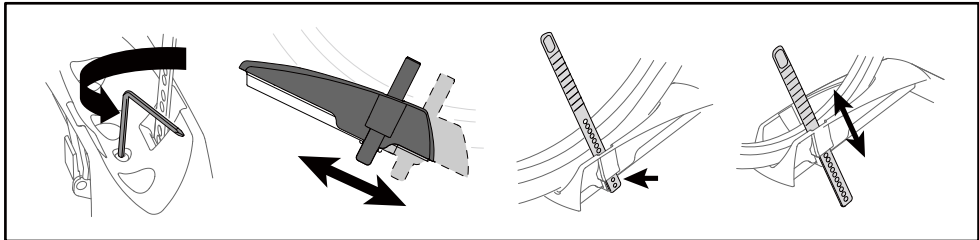
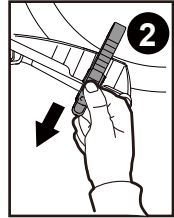
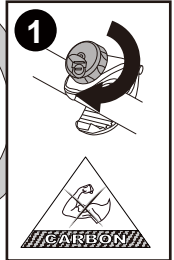
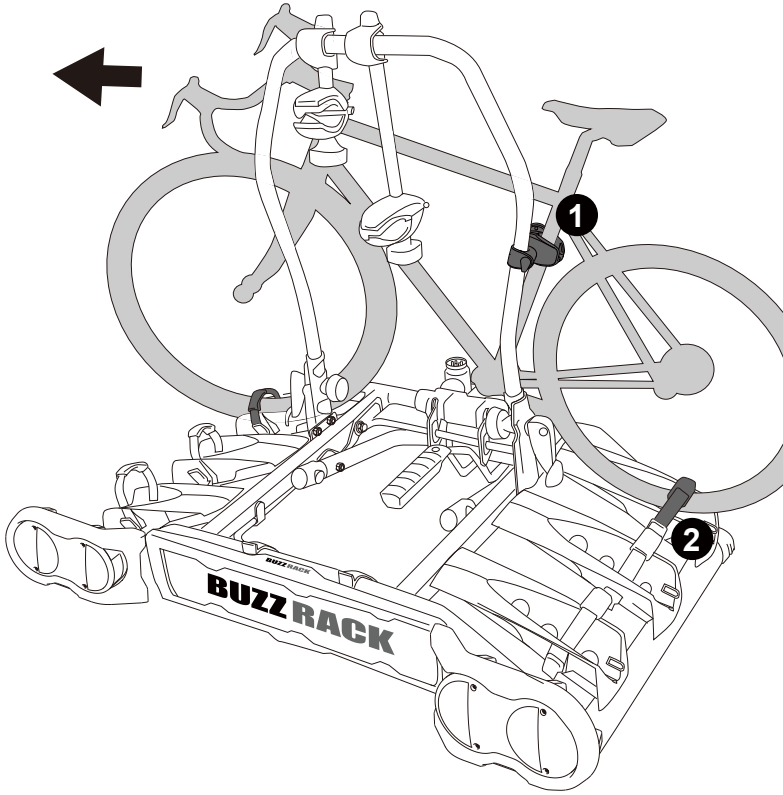
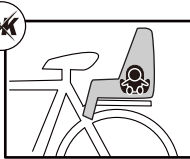
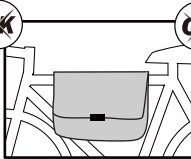
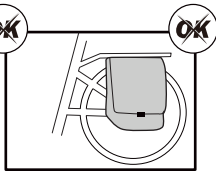
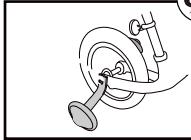


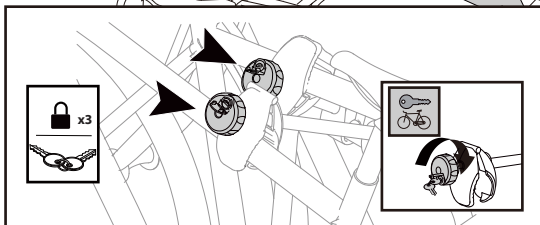
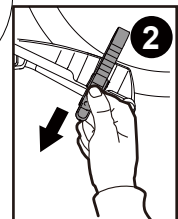
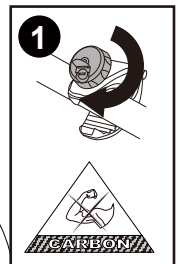
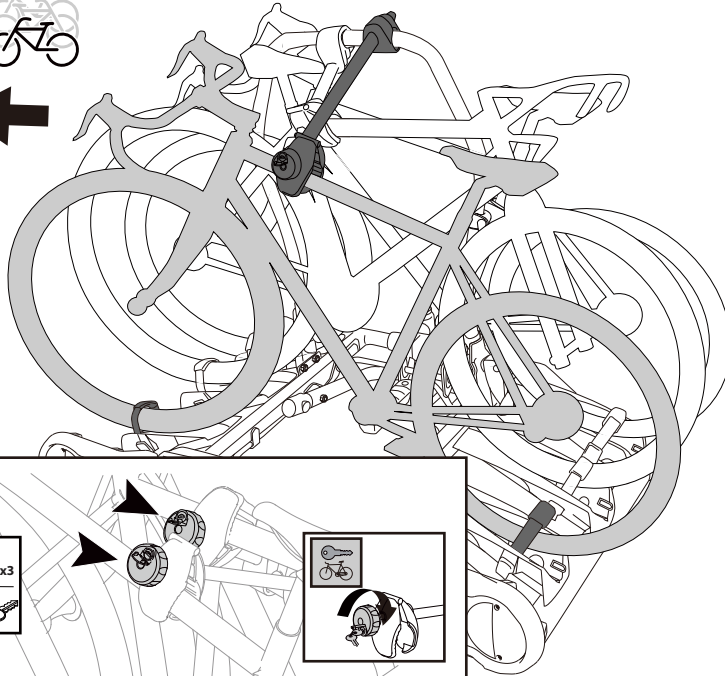
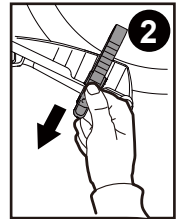
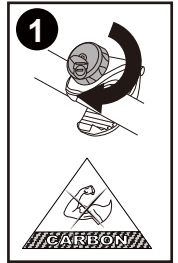
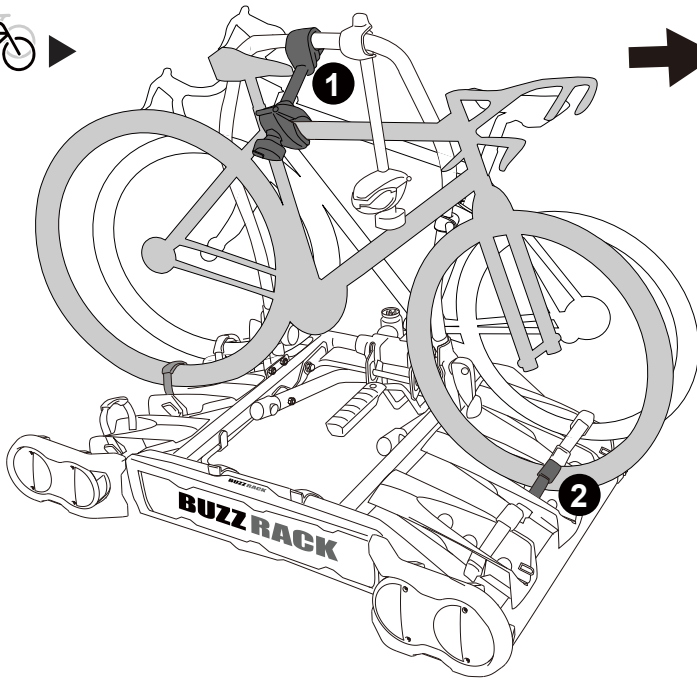
**1+3=MAX 2 X 25 KG**

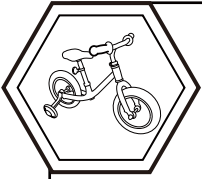


**1 ≤ 20 KG**  
**2 ≤ 20 KG**  
**3 ≤ 15 KG**  
**3 bikes = MAX 55 KG**

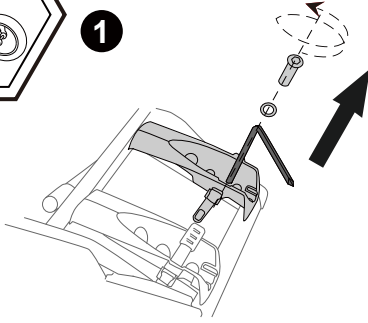




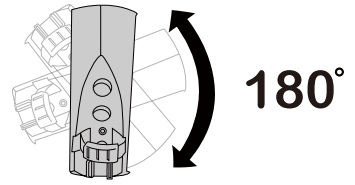




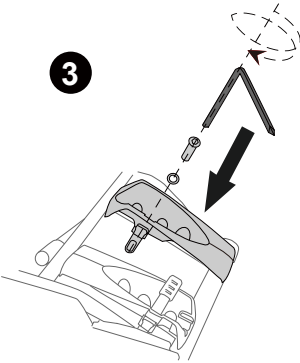
1



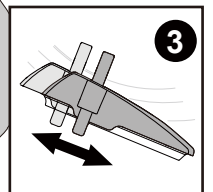
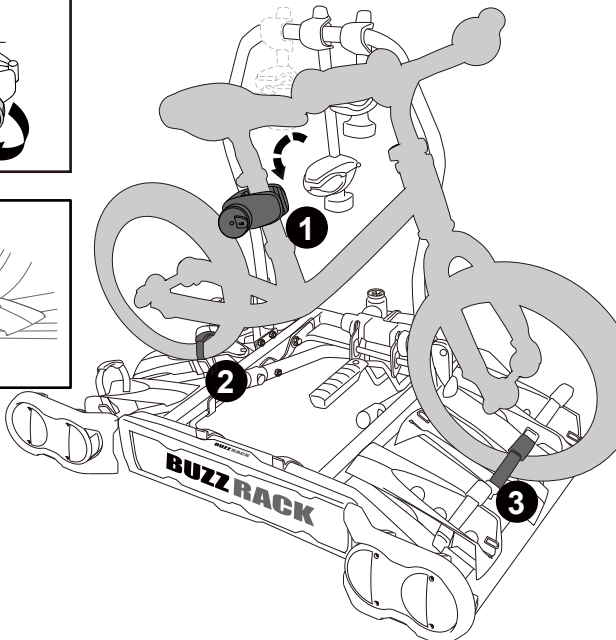
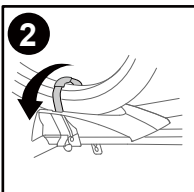
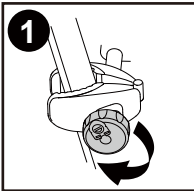
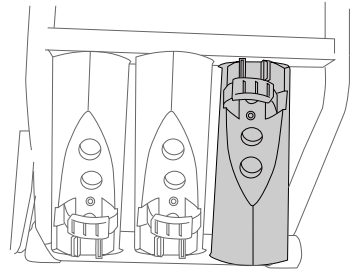
2



3

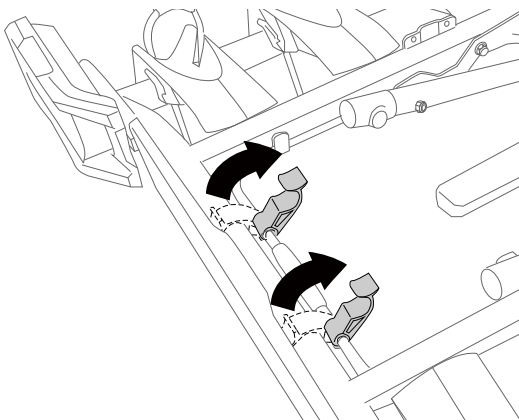


4

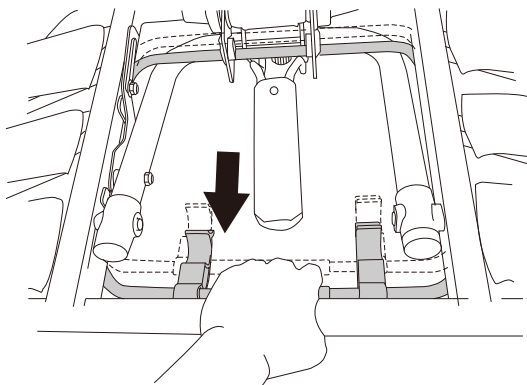




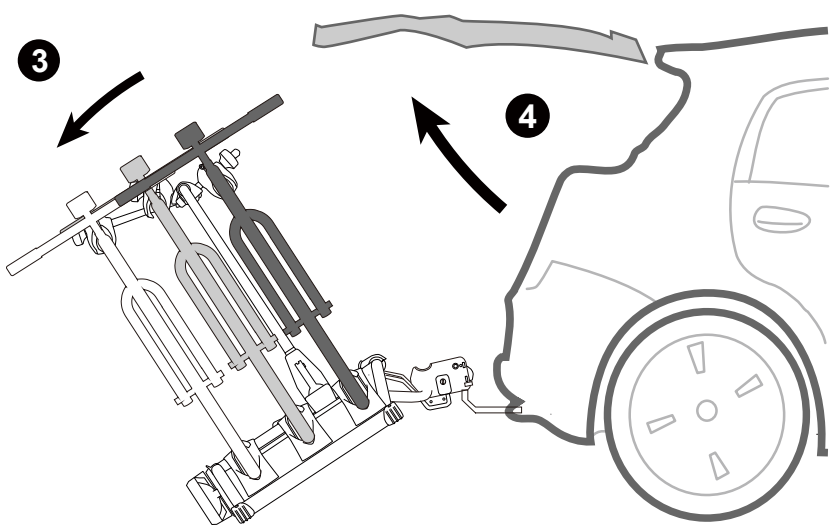
1

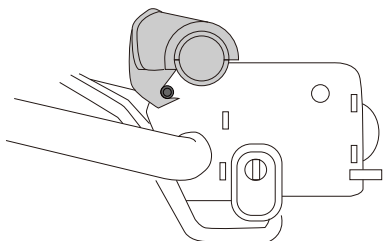
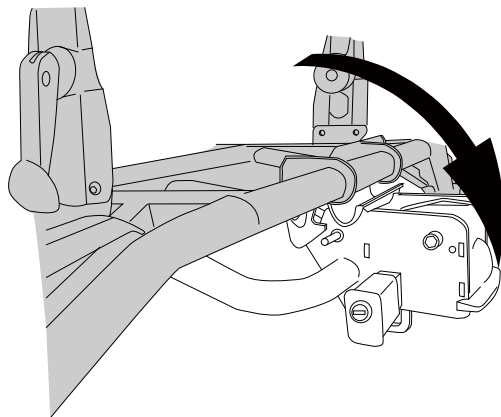
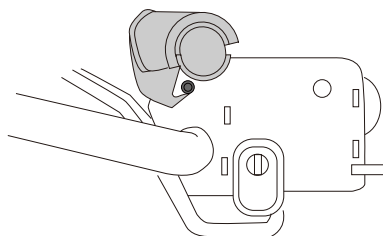
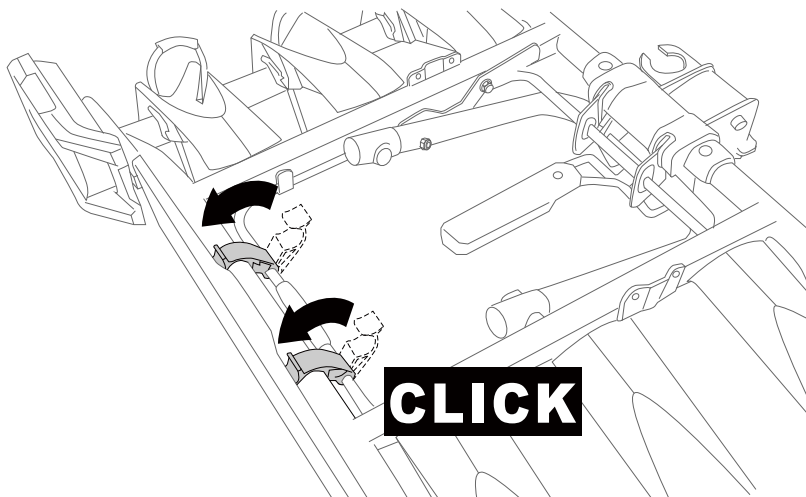


2



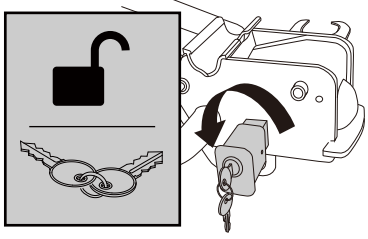
3



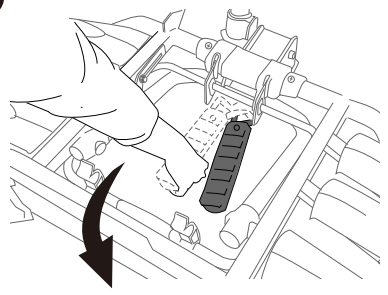
**OK****~~OK~~**



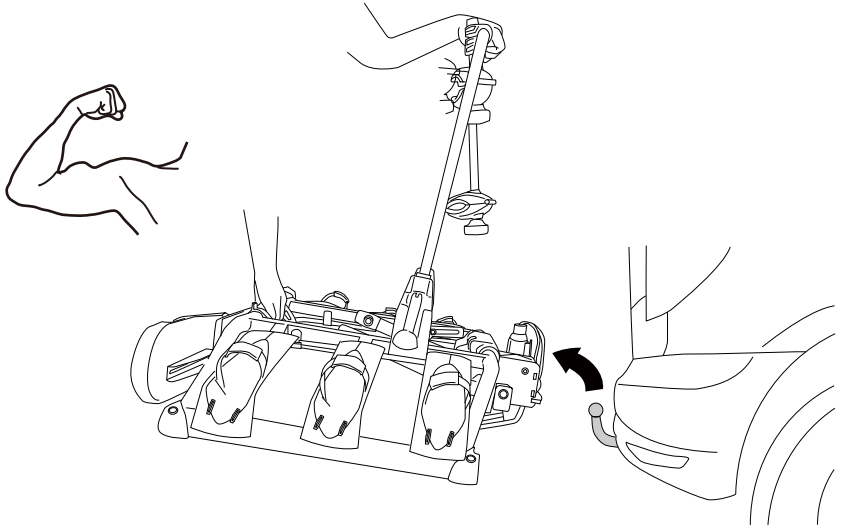
1



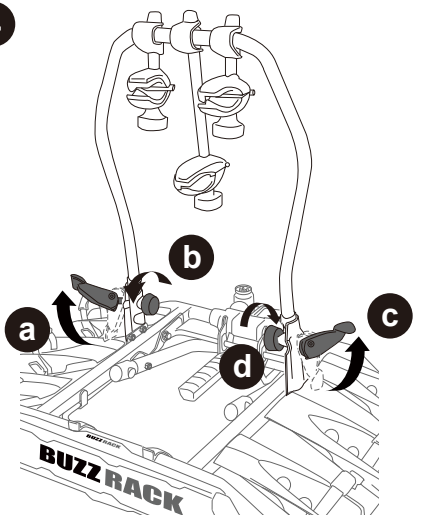
2



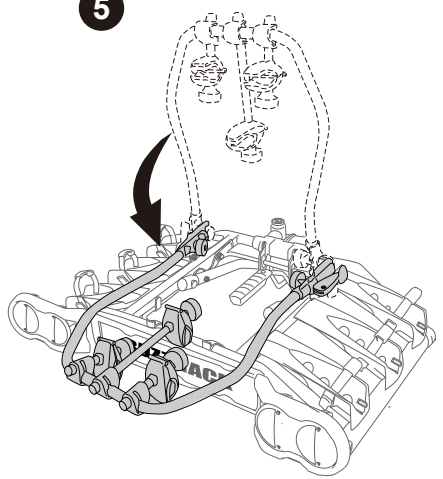
3



4



5





+

+

+

+

+

+

***BUZZ RACK***

[www.buzzrack.com](http://www.buzzrack.com)