

Hapro

Expanding life.



Hapro Boxer
Ready for adventure



Hapro Boxer

- *Aesthetic, robust, deliberate*



Discover our stylish, robust and thoughtfully designed Hapro Boxer. It is the smart luggage solution for families and enthusiasts of modern mobility. For those who like to go on adventures organized and in style.

This premium tow box offers the solution when you need extra space but prefer to keep the roof free. Whether you already have a roof tent, surfboard or canoe on top, or you just don't want a roof box: the Boxer lets you carry more without compromising on comfort or appearance. Thanks to its clever design, solid construction, handy tilt function and secure locking system, you travel with peace of mind and a sense of freedom.

Because your journey is just as important as your destination.



Travel in style

■ with aerodynamic design

The innovative Premium-Grip mounting system allows for quick and easy attachment of the Boxer platform to the tow bar. The box then easily attaches to the platform. The integrated wheels make sure you can effortlessly move the box from the storage to the car. The lid opens smoothly thanks to an ergonomic handle in the lid and a clever integrated opening assistance. An innovative tilting mechanism ensures that you always have easy access to the trunk.

With L and M variant, there is always a suitable solution for maximum ease of use. The Boxer L has a capacity of 420 liters and a width of 163cm, making this box ideal for cars with a somewhat wider rear end. For smaller, narrower cars or for someone who does not need a larger box, there is the Boxer M, which with a width of 133cm fits behind nearly every car. Despite its compact size, the M still offers 340 liters of capacity for carrying extra luggage.

For optimal aerodynamics and thus minimum impact on fuel consumption or range, it is important when choosing the L or M to ensure that the box stays within the dimensions and streamlines of the car.



Boxer L displayed behind a Volvo XC40 EV



Boxer M displayed behind a Renault 5 EV



Smart storage solution

■ it's all in the details

User-friendly mounting

Premium-Grip mounting system for easy, quick and secure attachment of the Boxer platform to the tow bar, and all by just one person. Place, lock, secure and you're ready to go!

Premium quality and certification

Comforms the most strict quality requirements: ISO, City Crash Test, TÜV and XPR18904-4.

Unique handle

The handle activates a mechanism that lifts the lid a few centimetres. When closing, the handle automatically retracts, and you hear a clear click. Your Boxer is 100% securely closed without having to use the key. Need extra security? Then you can use the key to lock the Boxer.

Material and color

The Hapro Boxer is available in 2 colors; Hexagon Black and metallic Sage green. The strong impact-resistant material is highly UV-resistant, so your towbar box will retain its color even under the most extreme conditions. The material is also easy to clean.

Easy to store and move

Thanks to the wheels on the bottom of the box and the ergonomic handle, the towbar box can be moved and stored effortlessly after use.





Sustainable

Designed with longevity, minimal maintenance and circularity in mind.



Dynamic Spring struts

Loading and unloading is simple due to the double function of the dynamic spring struts. It opens the lid and keeps it in its optimum position while loading. When closing the Boxer, the two spring struts pull the lid to the base of the towbarbox for a perfect seal.

Innovative mounting with clever tilt system

With a simple foot movement, you tilt the Boxer effortlessly, giving you direct access to the trunk even when the towbar box is already loaded.

The innovative two-step release ensures maximum safety: it prevents the towbar box from accidentally opening if, for example, you unexpectedly hit an obstacle when reversing.



Robust construction

The two steel reinforcement strips in the bottom are designed for heavy-duty use and long-lasting performance.

Always safe on the road

Integrated brake lights, turn signals and rear fog light.





■ Ultimate ease of use

The tilt function allows direct access to the trunk without removing the Boxer. You easily tilt the Boxer by using the foot control with two-step release and a light hand guidance of the box. This can also be done with luggage in the Boxer.

For optimal safety, a smart two-step release has been chosen. This is to prevent the tilt mechanism from unintentionally unlocking itself if unexpectedly encountering an obstacle when reversing.

- Safe and reliable



Mounting the Boxer platform is a piece of cake thanks to the Premium-Grip quick-mount system. The carrier is instantly secured in place by pushing the lever down. The red knob provides an adjustment option that accommodates tolerances on towbar dimensions and allows the platform to be optimally attached. The green accent and reference stripes on the protective cover indicate whether the platform is safely and securely attached.

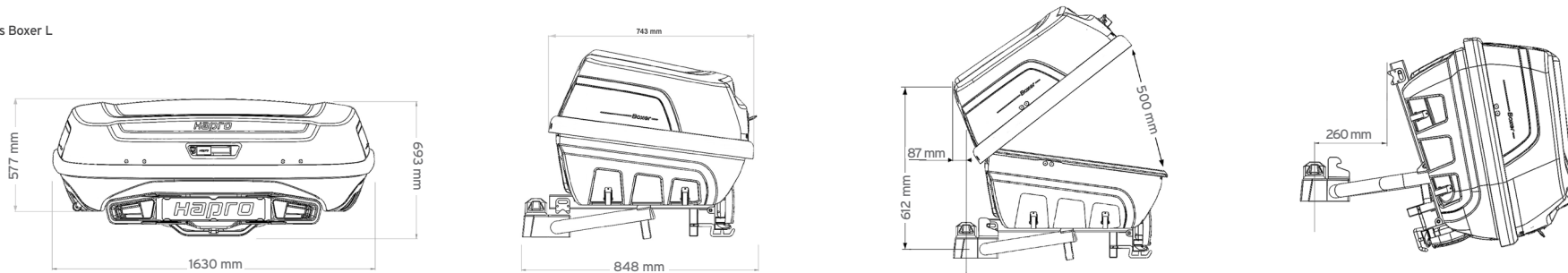
The platform not only has brake lights, turn signals and a reversing light, but also a rear fog light. The lighting integrated into the platform ensures good visibility during the day, in the dark, in rain and fog - safety first! When storing the platform, the lighting units can be folded inward for compact, safe storage. Durable, safe and well thought out.



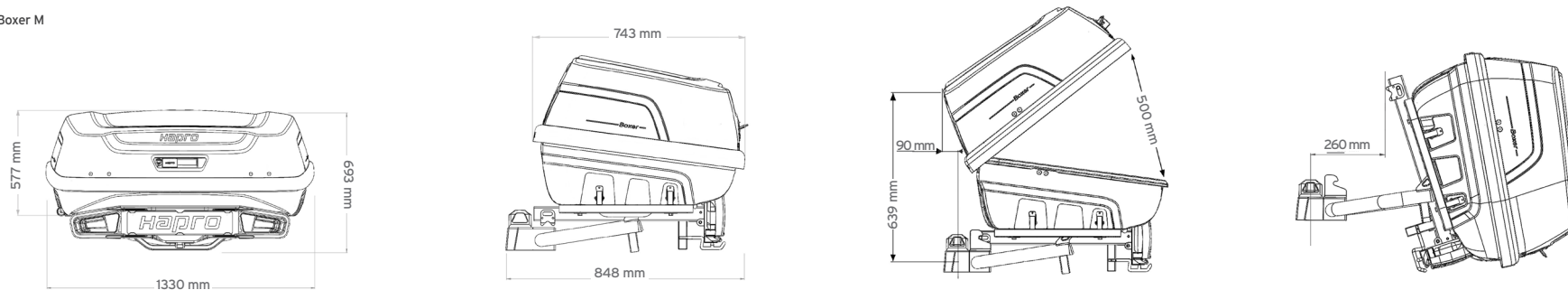


DIMENSIONS BOXER

Dimensions Boxer L



Dimensions Boxer M



SPECIFICATIONS BOXER		
	L	M
Dimensions outside (LxWxH)	1630 x 743 x 577 mm	1330 x 743 x 577 mm
Dimensions inside (LxWxH)	1566 x 690 x 550 mm	1266 x 690 x 550 mm
Contents	420 L	340 L
Empty weight	18,5 kg	17 kg
Max. allowed load*	41,5 kg	43 kg
Opening	Rear	Rear
Loading opening	500 mm	500 mm
2-point central locking system	Yes	Yes
Autolift lid of 2cm	Yes	Yes
Mounting	4 points, flat knob	4 points, flat knob
Luggage straps	3	3
Colour lid	Sage Green Metallic or Hexagon Black	Sage Green Metallic or Hexagon Black
Material Sage Green Metallic	ABS/PMMA	ABS/PMMA
Material Hexagon Black	ABS/ASA	ABS/ASA
Colour bottom	Black	Black
2 metal reinforcement strips in bottom	Yes	Yes
Warranty	3 years	3 years

SPECIFICATIONS BOXER PLATFORM	
Foldable	Partially (light bar)
Dimensions folded	1020 x 820 x 235 mm
Dimensions unfolded	1085 x 760 x 235 mm
Weight	16,5 kg
Max. allowed load*	60 kg
Mounting system	Premium-Grip
Lockable mounting system	Yes
Suitable for RMC towbar	No
Tiltable	Yes
Tilting angle	76°
Connector	13-pin
7-pin adapter included	Yes
Fog light	Yes
Reversing light	Yes
License plate light	Yes
Warranty	3 years

* The maximum permissible towbar of the car must not be exceeded



Technical specifications subject to change

Hapro
Expanding life.

www.hapro.com

VDL Hapro - P.O. Box 73 - 4420 AC Kapelle
The Netherlands