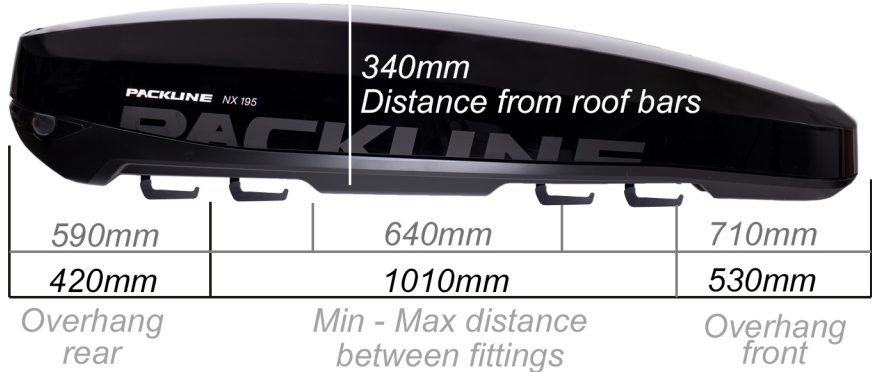
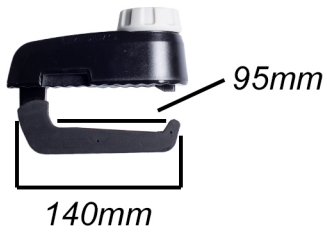
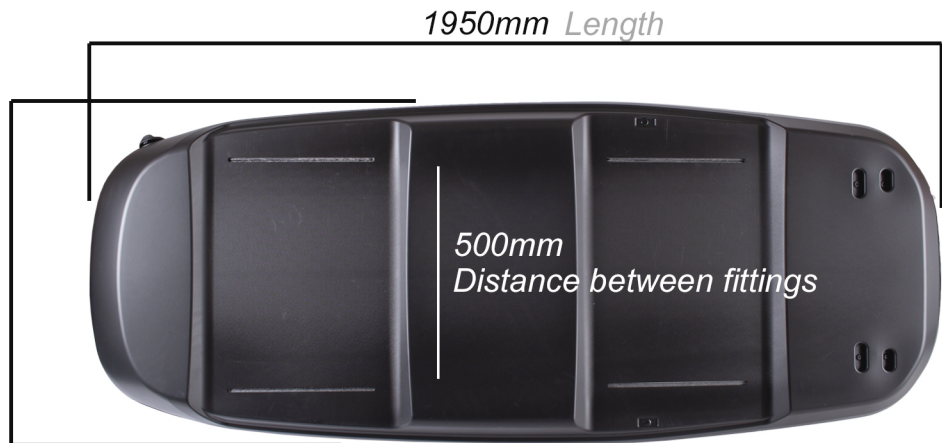




Supplied fittings



Optional T-track fittings



Colour - Black
Finish - Gloss
Capacity - 380 litres
Opens from - Rear opening
Locking system - Two-point push button
T-track - Adapter available seperately
Weight - 19kg
Max load capacity - 75kg
Fits bars up to- 95mm W x 23-35mm D
Internal Width - 700mm
Internal length - 1920mm
Max no of skis - 0
Length of guarantee - 5 yrs

