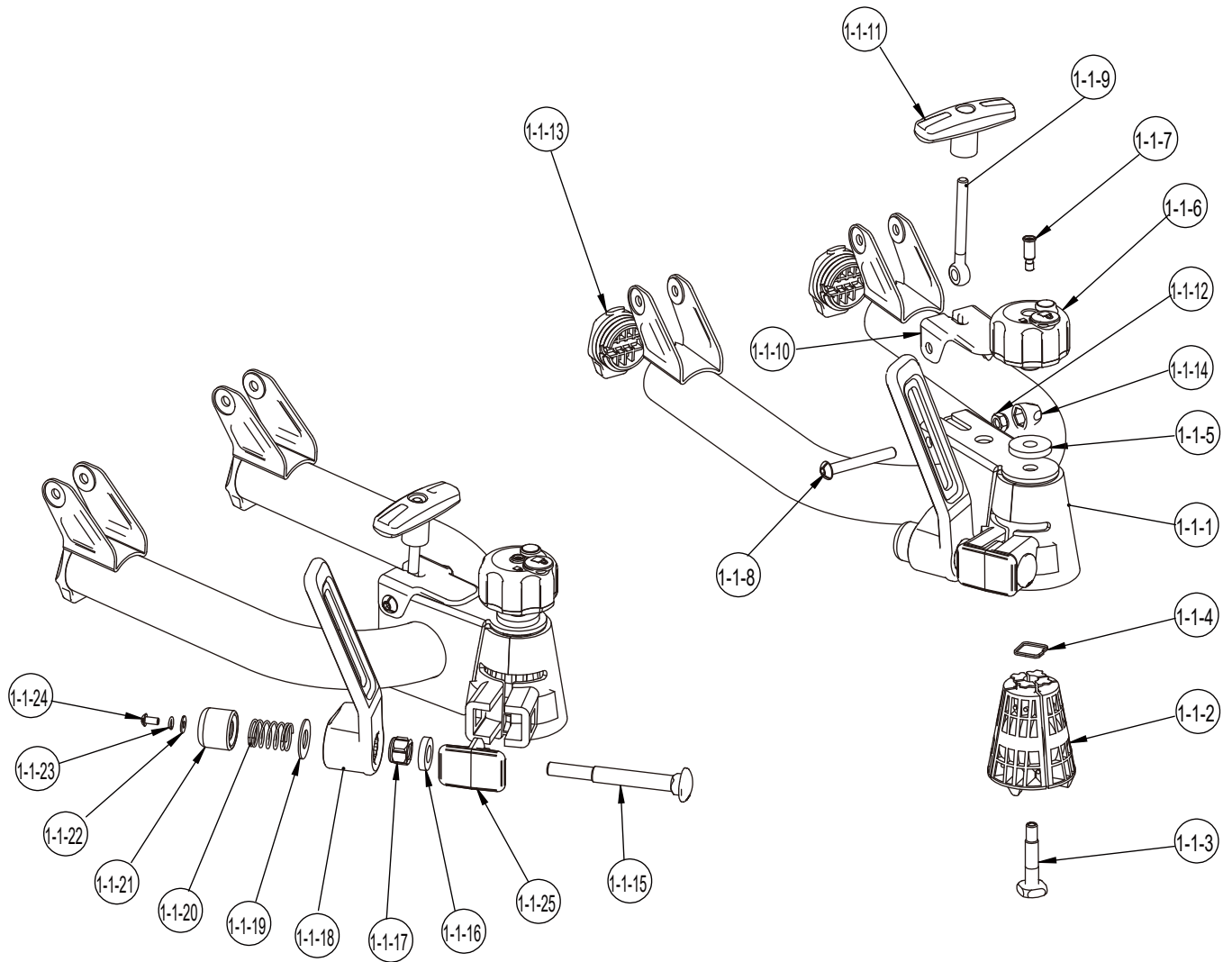


PART	DESCRIPTION	PART NUMBER
1	Foot assembly	
2	Platform assembly	
3	Bottom head screw M6x65mm	140-1106-029-04D
4	Plastic washer	130-00445-01C
5	Washer	142-1065-003-04D
6	Nylock nut	141-0106-001-04D
7	Wheel support assembly	
8	Light assembly	3505-00055-99C
9	Washer	142-1065-003-04D
10	Spring washer	142-2006-001-04D
11	Bottom head screw M6x25mm	140-1106-005-04D
12	Key	147-01905-99D
13	Safety strap	3522-00072-03C
14	T-wrench	132-00022-05C
15	Allen key	144-00004-06D
16	C-clip	130-00755-01C
17	Lock Clip 1.0"	3509-00245-16C
18	Locking cable	3510-00040-99C
19		
20		

PART	DESCRIPTION	PART NUMBER
21		
22		
23		
24		
25		
26		
27		
28		
29		
30		
31		
32		
33		
34		
35		
36		
37		
38		
39		
40		





PART	DESCRIPTION	PART NUMBER	PART	DESCRIPTION	PART NUMBER
1-1-1	Conic Foot Assembly		1-1-21	Bushing	130-00728-01C
1-1-2	Conical clamps	118-00146-00	1-1-22	Washer	142-1053-001-04D
1-1-3	Square screw	140-0510-002-04D	1-1-23	Spring washer	142-2005-001-04D
1-1-4	Square spring	145-00055-13D	1-1-24	Button head screw	140-1105-004-04D
1-1-5	Washer	142-1105-003-04D	1-1-25	Conic protector	130-00609-01C
1-1-6	Locking knob	3503-00127-99C	1-1-26		
1-1-7	Retainer	3509-00332-99C	1-1-27		
1-1-8	Button head screw	140-1108-012-04D	1-1-28		
1-1-9	Eye screw	140-2208-001-04D	1-1-29		
1-1-10	Safety cover	130-00789-16C	1-1-30		
1-1-11	T-knob	3503-00126-16C			
1-1-12	Nylock nut	141-0108-001-04D			
1-1-13	End cap	130-00705-01C			
1-1-14	Cap	130-00459-01C			
1-1-15	Carriage bolt M12	140-0112-008-04D			
1-1-16	Washer	142-1130-005-04D			
1-1-17	Nylock nut	141-0112-003-04D			
1-1-18	Wrench	3209-00369-16C			
1-1-19	Washer	142-1141-001-04D			
1-1-20	Spring	145-00034-13D			









