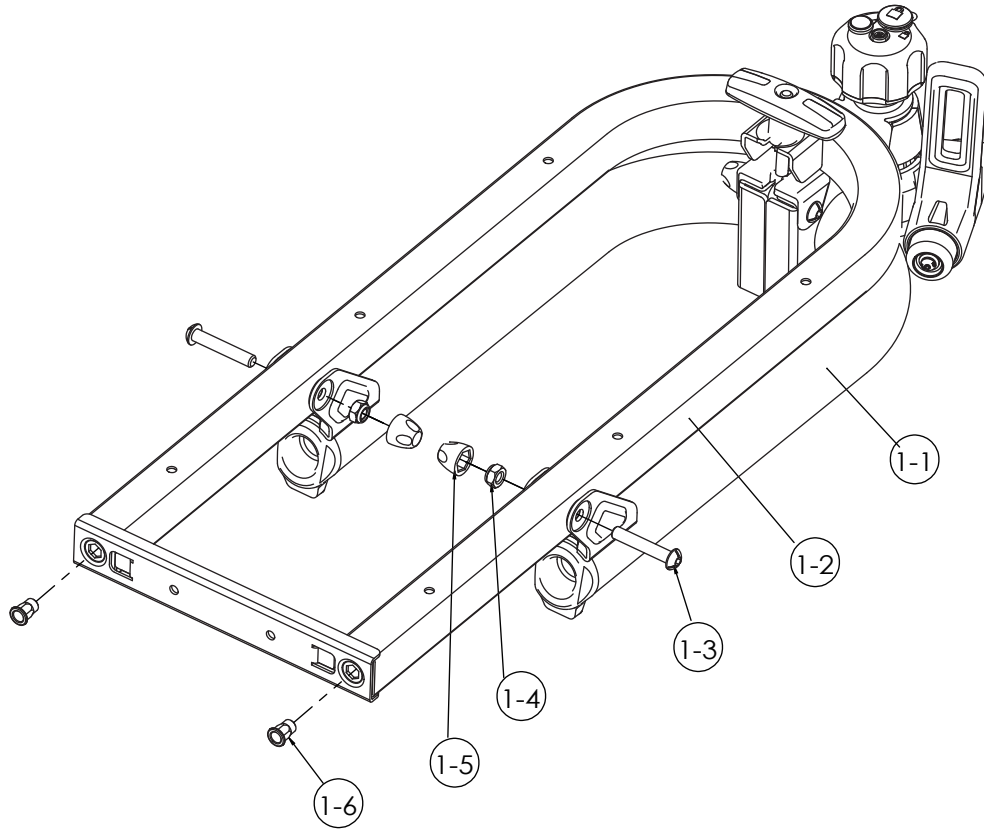


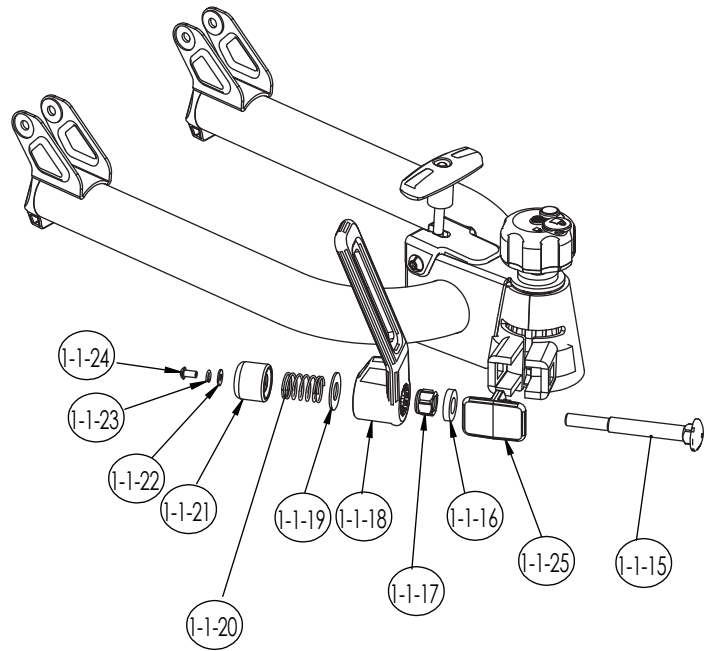
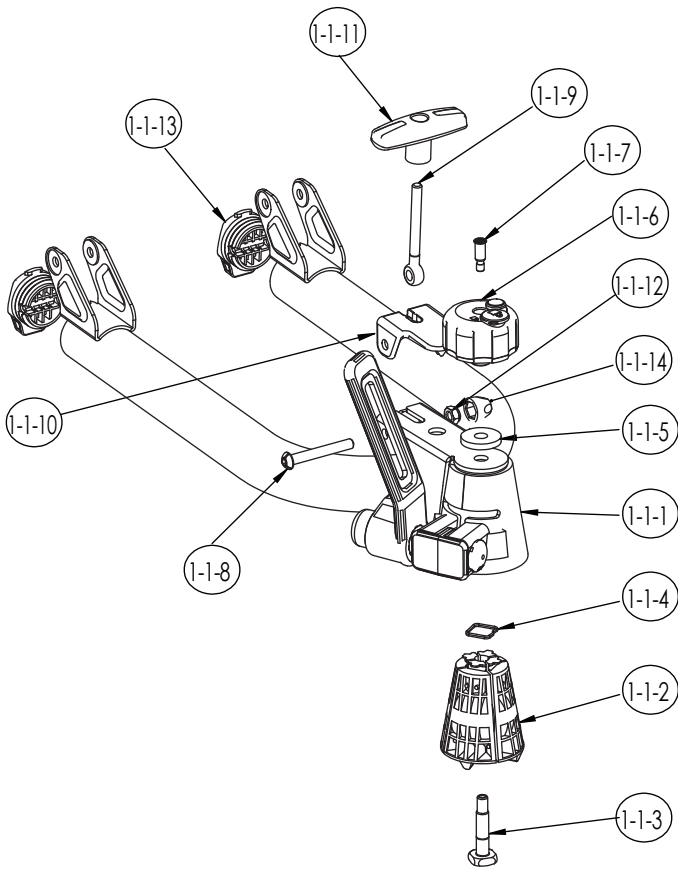
PART	DESCRIPTION	PART NUMBER	QTY.	PACK SIZE
1	Foot assembly		1	
2	Vertical tube assembly		1	
3	Wheel support assembly		3	
4	Wheel tube cap	130-00738-01C	3	
5	Screw	140-1106-028-04D	6	
6	Washer	142-1065-003-04D	12	
7	Nylock nut	141-0106-001-04D	6	
8	Plastic bushing	130-00704-01C	2	
9	Cam lever		2	
10	Steel cap	3209-00373-04D	2	
11	Plastic washer	130-00035-01C	2	
12	Washer	142-1065-004-04D	2	
13	Knob	3503-00088-01C	2	
14	Nut	141-2606-001-04D	2	
15	Side tube	3420-00043-44P	2	
16	Screw	140-1783-002-04D	6	
17	Light assembly	3505-00055-99C	1	
18	Washer	142-1065-003-04D	2	
19	Spring washer	142-2006-004-24D	2	
20	Bottom head screw M6x25mm	140-1106-004-04D	2	

PART	DESCRIPTION	PART NUMBER	QTY.	PACK SIZE
21	C-clip	130-00755-01C	1	
22	Key	147-01905-99C	1	
23	Safety strap	3522-00072-03C	1	
24	T-wrench	130-00022-05C	1	
25	Allen key	144-00009-06D	1	
26	Allen key	144-00003-06D	1	
27				
28				
29				
30				
31				
32				
33				
34				
35				
36				
37				
38				
39				
40				



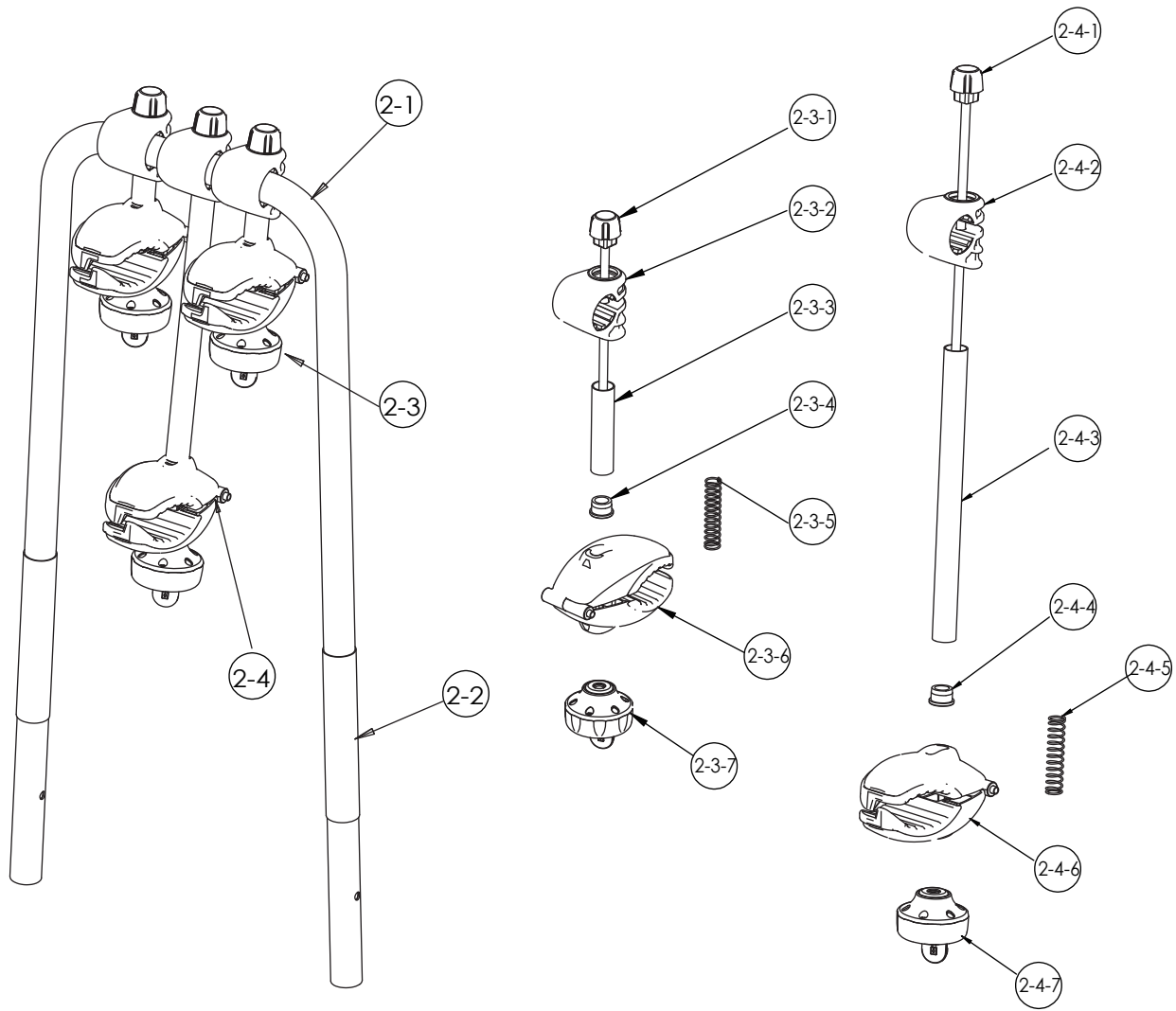
PART	DESCRIPTION	PART NUMBER	QTY.	PACK SIZE
1-1	Conic Foot Assembly		1	
1-2	Square tube welding		1	
1-3	Button head screw	140-1108-016-04D	2	
1-4	Nylock nut	141-0108-001-04D	2	
1-5	Cap	130-00459-01C	2	
1-6	Rivet nut	141-0606-001-19D	2	
1-7				
1-8				
1-9				
1-10				

PART	DESCRIPTION	PART NUMBER	QTY.	PACK SIZE



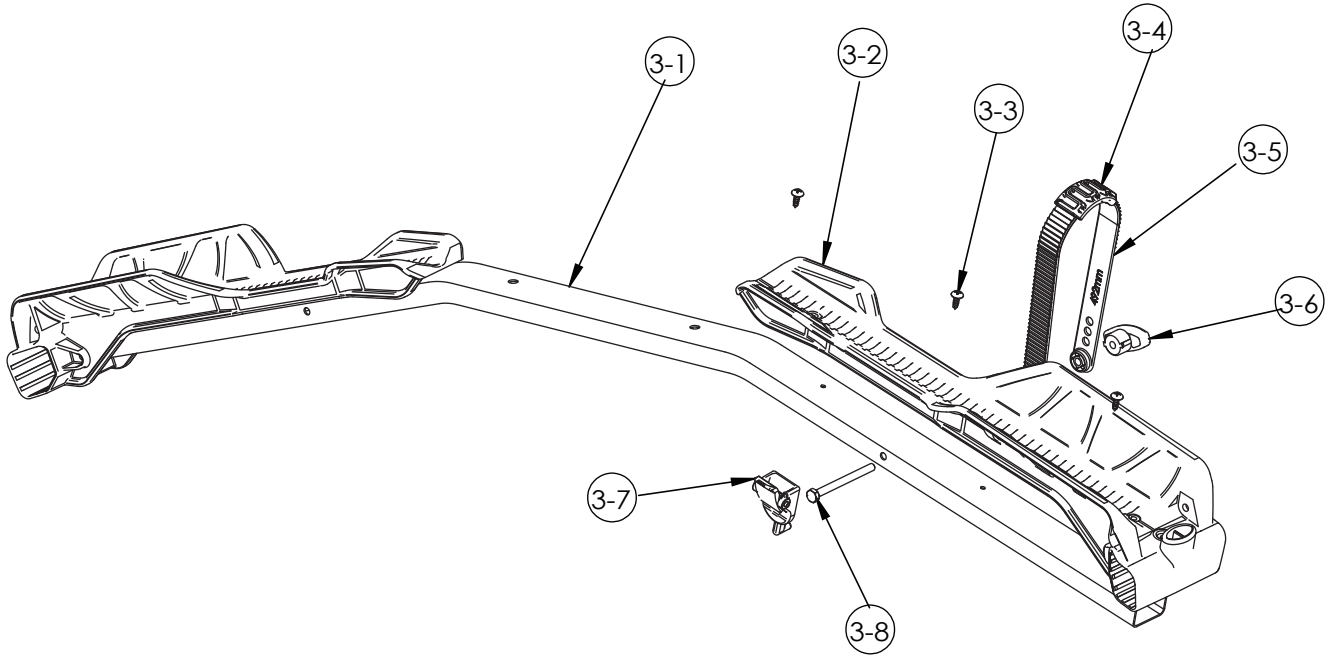
PART	DESCRIPTION	PART NUMBER	QTY.	PACK SIZE
1-1-1	Conic Foot Assembly		1	
1-1-2	Conical clamps	118-00146-00	4	
1-1-3	Square screw	140-0510-002-04D	1	
1-1-4	Square spring	145-00055-13D	1	
1-1-5	Washer	142-1105-003-04D	1	
1-1-6	Locking knob	3503-00127-99C	1	
1-1-7	Retainer	3509-00332-99C	1	
1-1-8	Button head screw	140-1108-012-04D	1	
1-1-9	Eye screw	140-2008-001-04D	1	
1-1-10	Plastic cap	130-00789-16C	1	
1-1-11	T-knob	3503-00126-16C	1	
1-1-12	Nylock nut	141-0108-001-04D	1	
1-1-13	End cap	130-00705-01C	2	
1-1-14	Cap	130-00459-01C	1	
1-1-15	Carriage bolt M12	140-0112-008-04D	1	
1-1-16	Washer	142-1130-005-04D	1	
1-1-17	Nylock nut	141-0112-003-04D	1	
1-1-18	Wrench	3209-00369-16C	1	
1-1-19	Washer	142-1141-001-04D	1	
1-1-20	Spring	145-00034-13D	1	

PART	DESCRIPTION	PART NUMBER	QTY.	PACK SIZE
1-1-21	Bushing	130-00728-01C	1	
1-1-22	Washer	142-1053-001-04D		
1-1-23	Spring washer	142-2005-001-04D	1	
1-1-24	Button head screw	140-1105-004-04D	1	
1-1-25	Conic protector	130-00609-01C	1	
1-1-26				
1-1-27				
1-1-28				
1-1-29				
1-1-30				



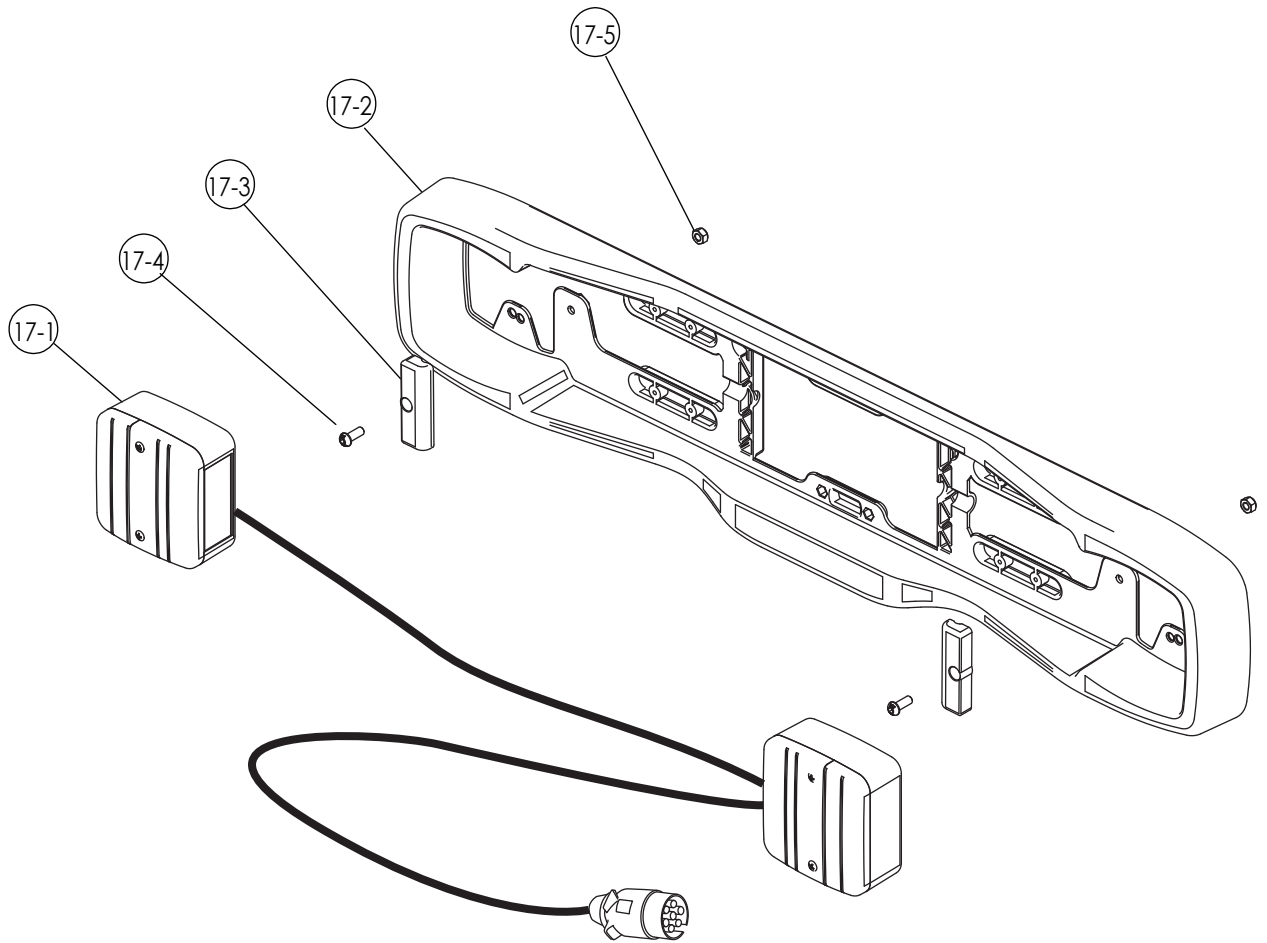
PART	DESCRIPTION	PART NUMBER	QTY.	PACK SIZE
2-1	Vertical tube	3201-00399-44P	1	
2-2	PVC cover	131-00043-01C	2	
2-3	Clamp tube short		2	
2-4	Clamp tube long		1	

PART	DESCRIPTION	PART NUMBER	QTY.	PACK SIZE
2-3-1	Bolt with cap	3508-00649-01C	1	
2-3-2	Clip	130-00669-01C	1	
2-3-3	Clamp tube	3201-00338-04P	1	
2-3-4	End cap	130-00668-01C	1	
2-3-5	Spring	145-00054-13D	1	
2-3-6	Clamp assembly	3509-00282-16C	1	
2-3-7	Locking knob	3503-00122-99C	1	
2-4-1	Bolt with cap	3508-00802-01C	1	
2-4-2	Clip	130-00669-01C	1	
2-4-3	Clamp tube	3201-00400-04P	1	
2-4-4	End cap	130-00668-01C	1	
2-4-5	Spring	145-00054-13D	1	
2-4-6	Clamp assembly	3509-00282-16C	1	
2-4-7	Locking knob	3503-00122-99C	1	



PART	DESCRIPTION	PART NUMBER	QTY.	PACK SIZE
3-1	Wheel support tube	3202-00127-44P	1	
3-2	Wheel support	130-00735-01C	2	
3-3	Screw	140-1783-002-04D	6	
3-4	Strap pad	130-00637-16C	2	
3-5	Ratchet strap	130-00687-01C	2	
3-6	T-knob	3509-00319-01C	2	
3-7	Ratchet assembly	3509-00318-16C	2	
3-8	Carriage bolt M6	140-0306-041-04D	2	
3-9				
3-10				

PART	DESCRIPTION	PART NUMBER	QTY.	PACK SIZE



PART	DESCRIPTION	PART NUMBER	QTY.	PACK SIZE	PART	DESCRIPTION	PART NUMBER	QTY.	PACK SIZE
17-1	Light(7-pin/DF-TK003) 1400mm	139-00098-01C	1						
17-2	Light board	3508-00808-99C	1						
17-3	License hook	130-00308-01C	2						
17-4	Bottom head screw M6x16mm	140-1106-031-04D	2						
17-5	Nylon nut	141-0106-001-04D	2						
17-6									
17-7									
17-8									
17-9									
17-10									